



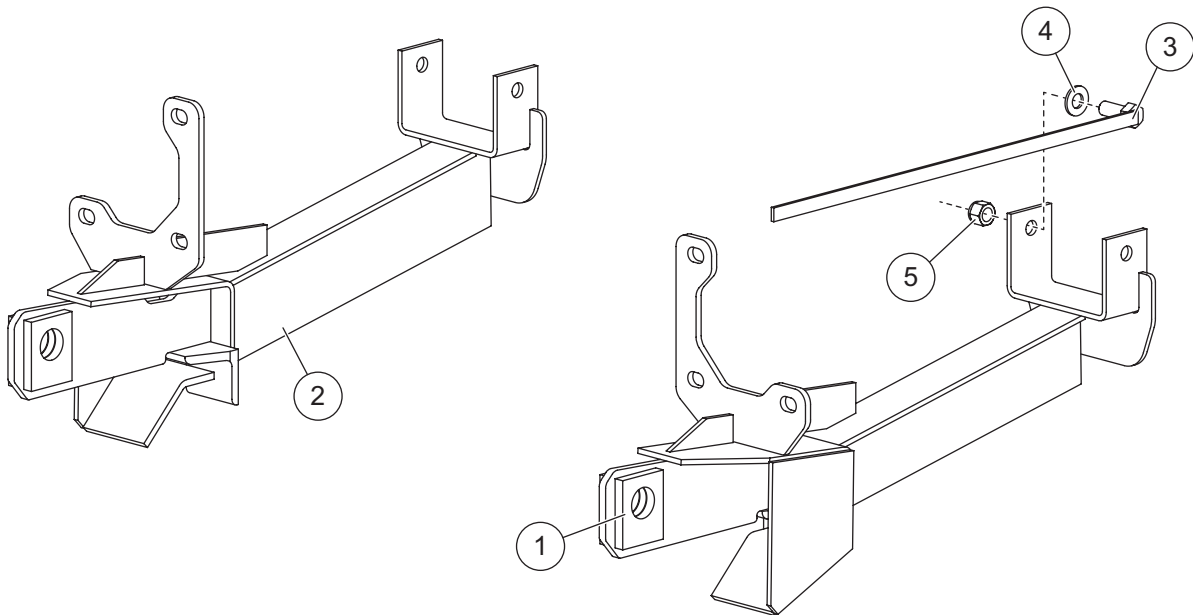
# Minute<sup>2</sup> SYSTEM

## MOUNT KIT

**Dodge Dakota**

**2005 - 11**

### Parts List



7178 Mount Kit						
Item	Part	Qty	Description	Item	Part	Qty Description
1	27268	1	Pushplate – DS	3	21314	4 1/2-13 x 1-1/4 Hex Cap Screw w/Handle
2	27269	1	Pushplate – PS			
ns	27270	1	Bolt Bag 7178			
27270 Bolt Bag 7178						
4		4	1/2 Hardened Flat Washer	5		4 1/2-13 Hex Locknut GB
			ns = not shown			G = Grade

Copyright © 2016 Douglas Dynamics, LLC. All rights reserved. This material may not be reproduced or copied, in whole or in part, in any printed, mechanical, electronic, film or other distribution and storage media, without the written consent of Fisher Engineering. Authorization to photocopy items for internal or personal use by Fisher Engineering outlets or snowplow owner is granted.

Fisher Engineering reserves the right under its product improvement policy to change construction or design details and furnish equipment when so altered without reference to illustrations or specifications used. Fisher Engineering or the vehicle manufacturer may require or recommend optional equipment for snow removal. Do not exceed vehicle ratings with a snowplow. Fisher Engineering offers a limited warranty for all snowplows and accessories. See separately printed page for this important information. The following are registered (®) trademarks of Douglas Dynamics, LLC: FISHER®, Minute Mount® 2.

**Printed in U.S.A.**

---