



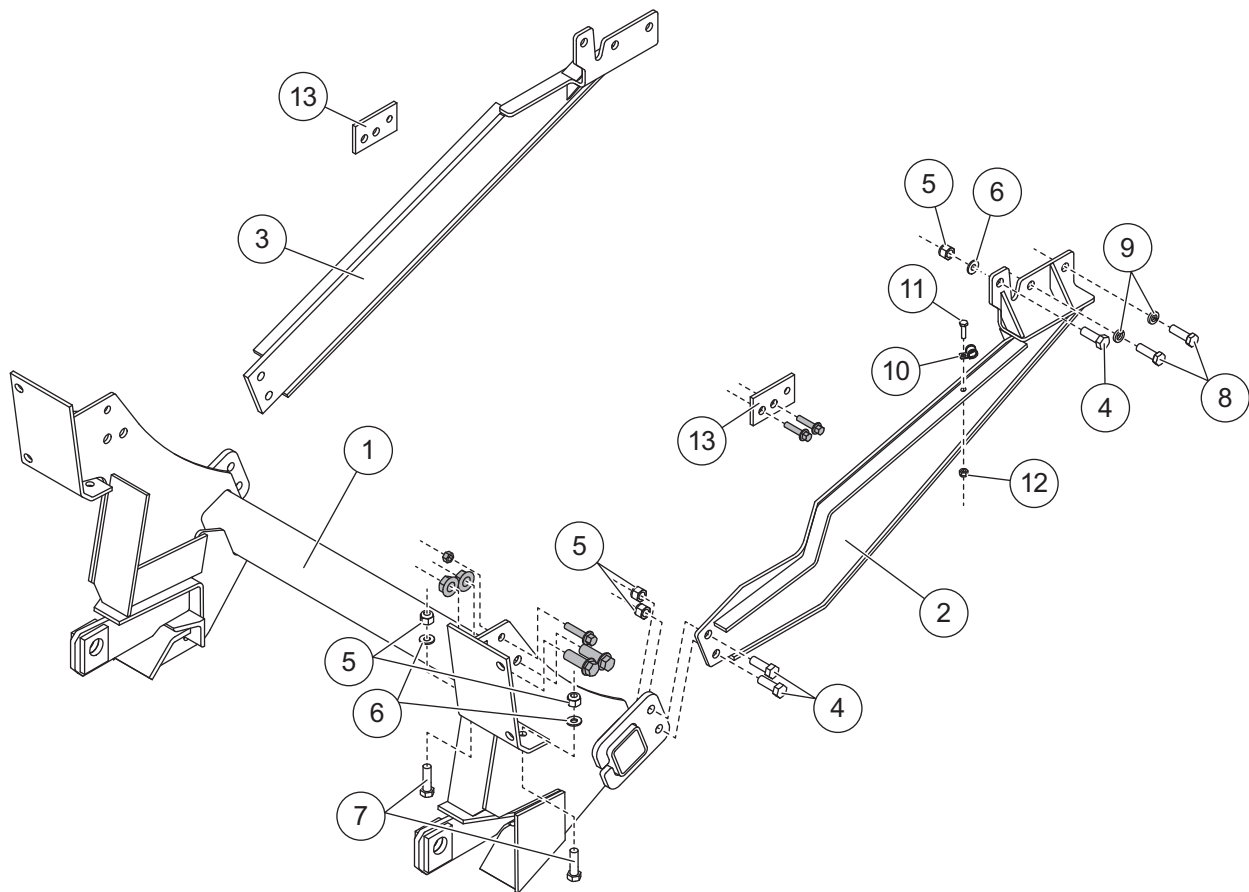
# Minute<sup>2</sup> SYSTEM

## MOUNT KIT

Mitsubishi FG

2005 - 11

### Parts List



Shaded parts are original vehicle components.

7179 Mount Kit							
Item	Part	Qty	Description	Item	Part	Qty	Description
1	28696	1	Main Mount	13	28783	2	Spacer
2	28697	1	Thrust Arm – DS	ns	28699	1	Bolt Bag – 7179
3	28698	1	Thrust Arm – PS				
28699 Bolt Bag – 7179							
4		6	1/2-13 x 1-1/2 Hex Cap Screw G8	9		4	M12 Regular Spring Lock Washer
5		10	1/2-13 Hex Locknut GB	10		1	Clamp Loop #10
6		6	1/2 Flat Washer	11		1	1/4-20 x 3/4 Hex Cap Screw G5
7		4	1/2-13 x 1 Hex Cap Screw G5	12		1	1/4-20 Hex Locknut GB
8		4	M12-1.25 x 30 Hex Cap Screw G8.8				
ns = not shown		G = Grade				M = Metric	

Copyright © 2012 Douglas Dynamics, L.L.C. All rights reserved. This material may not be reproduced or copied, in whole or in part, in any printed, mechanical, electronic, film or other distribution and storage media, without the written consent of Fisher Engineering. Authorization to photocopy items for internal or personal use by Fisher Engineering outlets or snowplow owner is granted.

Fisher Engineering reserves the right under its product improvement policy to change construction or design details and furnish equipment when so altered without reference to illustrations or specifications used. Fisher Engineering or the vehicle manufacturer may require or recommend optional equipment for snow removal. Do not exceed vehicle ratings with a snowplow. Fisher Engineering offers a limited warranty for all snowplows and accessories. See separately printed page for this important information. The following are registered (®) trademarks of Douglas Dynamics, L.L.C.: FISHER®, Minute Mount® 2.

Printed in U.S.A.