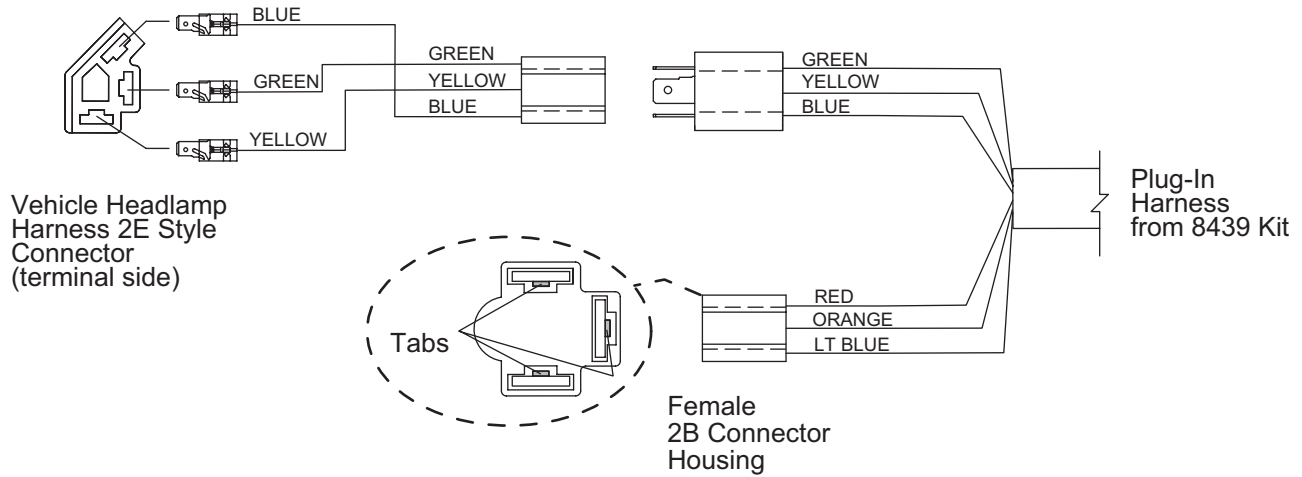


www.storksplows.com  
**2B to 2E Adapter Instructions**

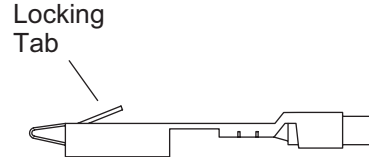
**Kit 27968**

1. Unplug connector from back of vehicle headlamp. Insert adapter terminals into vehicle headlamp connector as shown. Connect adapter from kit to male connector found on the plug-in harness from the 8439 kit.

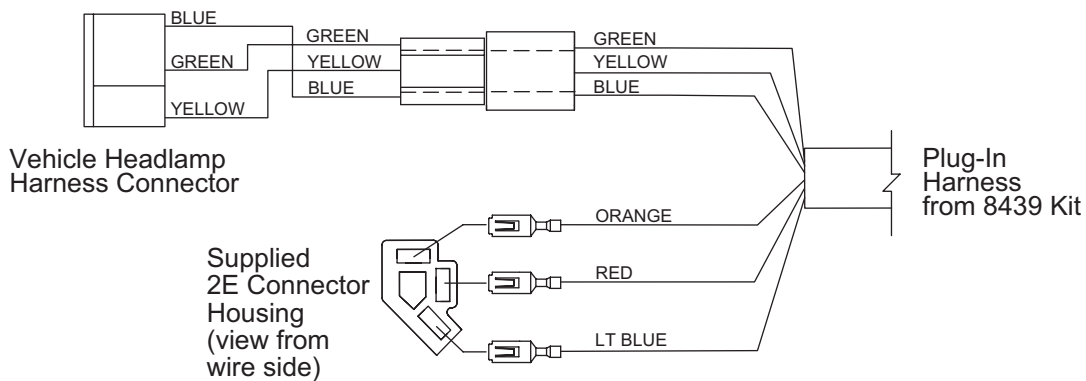


2. Locate female connector housing (2B style connector) from the plug-in harness. Remove the connector by inserting a small flat blade screwdriver at points indicated above. Gently pull on wires, removing all three from connector housing.

3. Carefully bend up the locking tab on each wire. This will ensure a locking connection.



4. Insert the wire terminals into the supplied 2E style connector housing as shown below. A "click" will be heard when the terminal locks in position. Connect to the back of the vehicle headlamp.
5. Repeat for other headlamp.



The company reserves the right under its product improvement policy to change construction or design details and furnish equipment when so altered without reference to illustrations or specifications used herein.