



**Fisher Engineering**

50 Gordon Drive, Rockland, Maine 04841-2139 • www.fisherplows.com

March 1, 2008  
Lit. No. 29031, Rev. 01

# *Minute<sup>2</sup>* **Mount<sup>®</sup>** **SYSTEM**

## MOUNT KIT

### Ford

<b>F150</b>	<b>1997 - 2004</b>
<b>F250 with 7200 GVW</b>	<b>1997 - 1999</b>
<b>Expedition</b>	<b>1997 - 2002</b>

### Installation Instructions

**⚠ CAUTION**

Read this document before installing the snowplow.

**⚠ CAUTION**

See your FISHER<sup>®</sup> outlet/Web site for specific vehicle application recommendations before installation. The Kit Selection Guide has specific vehicle and snowplow requirements.

## SAFETY DEFINITIONS

### WARNING

Indicates a potentially hazardous situation that, if not avoided, could result in death or serious personal injury.

### CAUTION

Indicates a potentially hazardous situation that, if not avoided, may result in minor or moderate injury. It may also be used to alert against unsafe practices.

**NOTE:** Indicates a situation or action that can lead to damage to your snowplow and vehicle or other property. Other useful information can also be described.

## SAFETY PRECAUTIONS

Improper installation and operation could cause personal injury, and/or equipment and property damage. Read and understand labels and the Owner's Manual before installing, operating or making adjustments.

### WARNING

**Lower blade when vehicle is parked. Temperature changes could change hydraulic pressure, causing the blade to drop unexpectedly or damaging hydraulic components. Failure to do this can result in serious personal injury.**

### WARNING

**The driver shall keep bystanders clear of the blade when it is being raised, lowered or angled. Do not stand between the vehicle and the blade or within 8 feet of a moving blade. A moving or falling blade could cause personal injury.**

### WARNING

**Keep hands and feet clear of the blade and A-frame when mounting or removing the snowplow. Moving or falling assemblies could cause personal injury.**

### WARNING

**Do not exceed GVWR or GAWR including blade and ballast. The rating label is found on driver-side vehicle door cornerpost.**

### WARNING

**To prevent accidental movement of the blade, always turn the ON/OFF switch to OFF whenever the snowplow is not in use. The control indicator light will turn off.**

### WARNING

**Remove blade assembly before placing vehicle on hoist.**

### CAUTION

**Refer to the Kit Selection Guide for minimum vehicle recommendations and ballast requirements.**

## PERSONAL SAFETY

- Remove ignition key and put the vehicle in park or in gear to prevent others from starting the vehicle during installation or service.
- Wear only snug-fitting clothing while working on your vehicle or snowplow.
- Do not wear jewelry or a necktie, and secure long hair.
- Wear safety goggles to protect your eyes from battery acid, gasoline, dirt and dust.
- Avoid touching hot surfaces such as the engine, radiator, hoses and exhaust pipes.
- Always have a fire extinguisher rated BC handy, for flammable liquids and electrical fires.

**FIRE AND EXPLOSION****⚠ WARNING**

Gasoline is highly flammable and gasoline vapor is explosive. Never smoke while working on a vehicle. Keep all open flames away from gasoline tanks and lines. Wipe up any spilled gasoline immediately.




Be careful when using gasoline. Do not use gasoline to clean parts. Store only in approved containers away from sources of heat or flame.

**VENTILATION****⚠ WARNING**

Vehicle exhaust contains lethal fumes. Breathing these fumes, even in low concentrations, can cause death. Never operate a vehicle in an enclosed area without venting exhaust to the outside.

**TORQUE CHART****⚠ CAUTION**

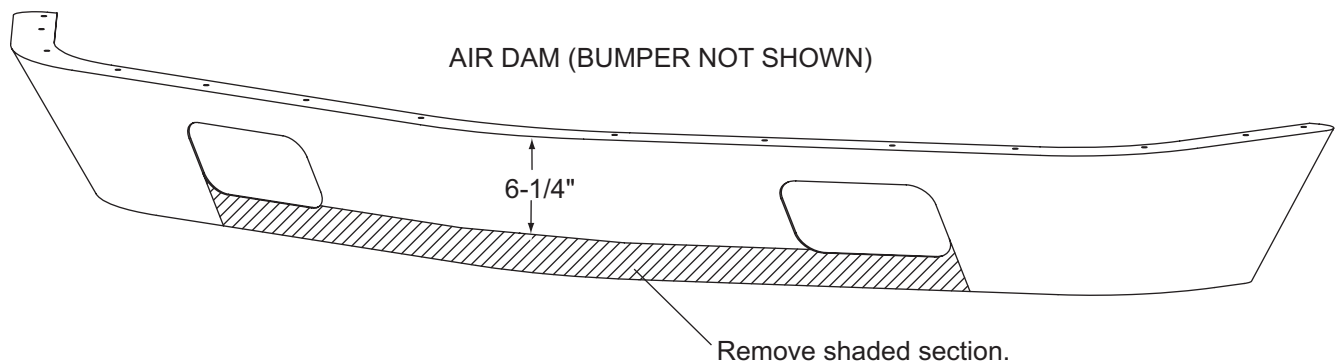
Read instructions before assembling. Fasteners should be finger tight until instructed to tighten according to the torque chart. Use standard methods and practices when attaching snowplow including proper personal protective safety equipment.

<b>Recommended Fastener Torque Chart (ft-lb)</b>			
Size	 SAE Grade 2	 SAE Grade 5	 SAE Grade 8
1/4-20	6	9	13
5/16-18	11	18	28
3/8-16	19	31	46
3/8-24	24	46	68
7/16-14	30	50	75
1/2-13	45	75	115
9/16-12	66	110	165
5/8-11	93	150	225
3/4-10	150	250	370
7/8-9	150	378	591
1-8	220	583	893
<b>Metric Grade 8.8 (ft-lb)</b>			
Size	Torque	Size	Torque
M 6	7	M 12	60
M 8	17	M 14	95
M 10	35	M 16	155
These torque values apply to fasteners except those noted in the instruction.			

## INSTALLATION INSTRUCTIONS

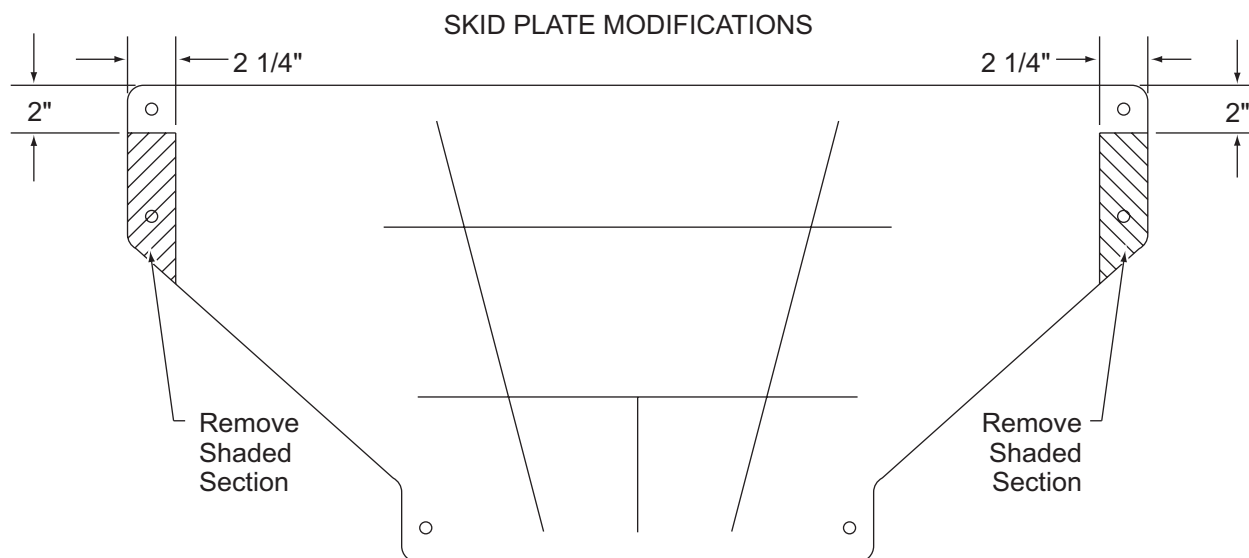
**NOTE: For easier assembly and installation, vehicle and all snowplow components should be on a smooth, level, hard surface, such as concrete.**

1. Remove the bumper/air dam assembly from the front of the frame by removing the two bolts on each side of the frame. Disconnect the fog lamps if equipped. Retain the fasteners. Trim the air dam as shown in the following illustration.



2. Remove both tow hooks from the front of the frame. Retain tow hooks and fasteners for the vehicle owner.

3. If a skid plate is installed, remove it and trim as described in the following illustration. Remove and discard the two cage nuts and screws that correspond to the trimmed portion of the skid plate. Reinstall the skid plate using the remaining four cage nuts and screws.
6. Using the eight 17/32" holes in the pushplate assembly as guides, drill eight 17/32" holes in the vehicle frame. If necessary, place a 1/2" plain washer between the pushplate front hanger and the vehicle frame.



4. Slide one bolting bar into each side of the frame's box section and align the holes with the existing tow hook holes.
5. Position the pushplate assembly under the vehicle frame. Line up the slotted holes with the tow hook holes in the frame. Install one 1/2" x 2" cap screw and 1/2" plain washer through the rearmost slotted tab on each side of the pushplate assembly, through the rearmost tow hook hole, through the bolting bar and secure with nut. Position each bracket under the forward slot on each side of the pushplate assembly. Install with one 1/2" x 2" cap screw, one 1/2" plain washer and 1/2" nut. Push the vertical tab of each bracket up against the frame and tighten the four sets of fasteners.
7. Insert one 1/2" cap screw through front hangers and into the frame. Position one mounting block on each cap screw and against the frame's inside wall. Secure with one 1/2" locknut, but do not tighten.
8. Insert one 1/2" cap screw with short handle and one 1/2" plain washer into each side of the frame and out through the pushplate brackets. Secure with one 1/2" locknut, but do not tighten.
9. Insert two 1/2" cap screws with long handles and two 1/2" plain washers into each side of the frame and out through the pushplate rear hangers. Secure with two 1/2" locknuts. Tighten all fasteners.
10. Reinstall the modified bumper/air dam assembly and fog lamp connectors.

---

**NOTE: After five to ten hours of snowplow usage, retorque all pushplate assembly fasteners.**

---

Fisher Engineering reserves the right under its product improvement policy to change construction or design details and furnish equipment when so altered without reference to illustrations or specifications used. Fisher Engineering or the vehicle manufacturer may require or recommend optional equipment for snow removal. Do not exceed vehicle ratings with a snowplow. Fisher Engineering offers a limited warranty for all snowplows and accessories. See separately printed page for this important information. The following are registered (®) trademarks of Douglas Dynamics, L.L.C.: FISHER®, Minute Mount® 2.

**Printed in U.S.A.**

---