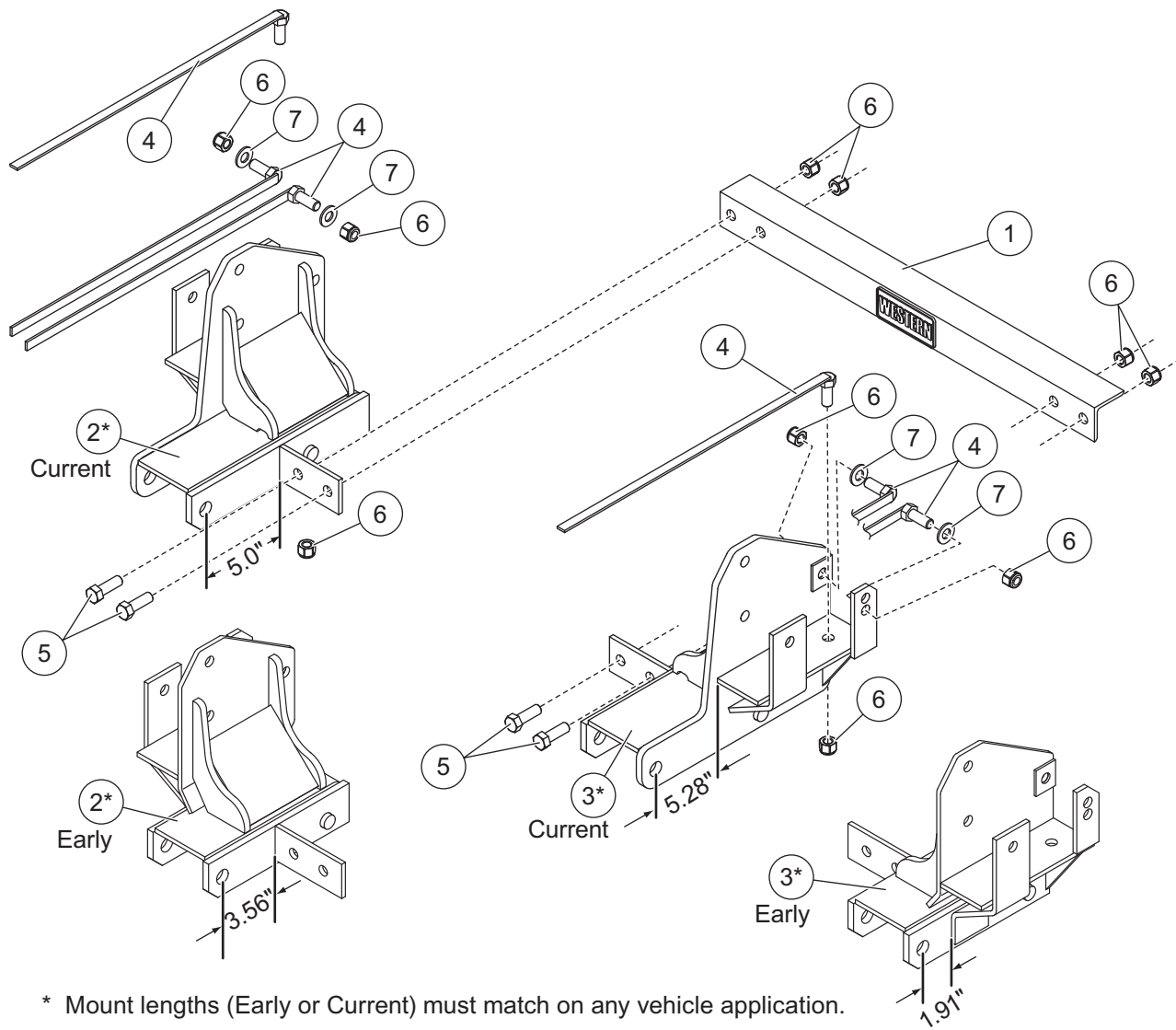




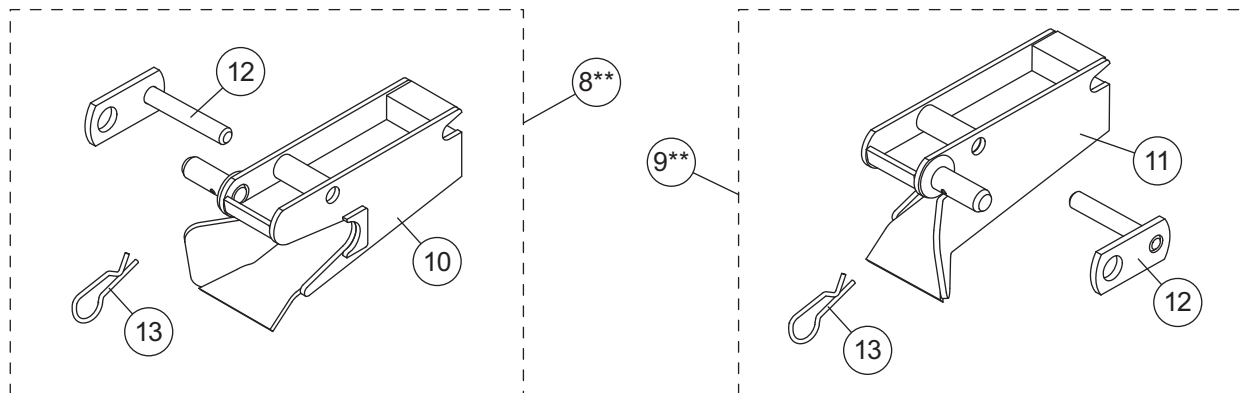
Western Products
 PO Box 245038
 Milwaukee, WI 53224-9538
 www.westernplovs.com

DD A DIVISION OF DOUGLAS DYNAMICS, L.L.C.

63883-2
MOUNT KIT
MODEL NO. 969
Dodge Ram 2500/3500 4X4
2003 - 09



* Mount lengths (Early or Current) must match on any vehicle application.



** The Receiver Kits are packaged and sold separately. Items in these kits are not included in the Mount Assembly Box, and must be purchased separately.

www.storksplows.com
PARTS LIST – MODEL 63883-2

63883-2 Dodge Mount Kit							
Item	Part	Qty	Description	Item	Part	Qty	Description
1	67774	1	Bar, Cross w/Name Plate	4	22314	6	1/2-13 x 1-1/2 Hex Cap Screw G5 w/Handle
2*	29085	1	Mount, PS (5.0) (Current -2 Box)	ns	64051	1	Bolt Bag – 63883-2
	64160	1	Mount, PS (3.56) (Early)				
3*	29084	1	Mount, DS (5.28) (Current -2 Box)				
	64159	1	Mount, DS (1.91) (Early)				
64051 Bolt Bag – 63883-2							
5	90210	4	1/2-13 x 1-1/2 Hex Cap Screw G5	7	90572	4	1/2 Hardened Flat Washer
6	91335	10	1/2-13 Hex Locknut GB				
ns = not shown				G = Grade			

* Mount lengths (Early or Current) must match on any vehicle application.

Item 8** 67859 Passenger-Side Receiver Kit **							
Item	Part	Qty	Description	Item	Part	Qty	Description
10		1	Receiver, PS	13	91965K	1	5/32" Hairpin Cotter
12	67665	1	Pin, Receiver				

Item 9** 67858 Driver-Side Receiver Kit **							
Item	Part	Qty	Description	Item	Part	Qty	Description
11		1	Receiver, DS	13	91965K	1	5/32" Hairpin Cotter
12	67665	1	Pin, Receiver				

** The Receiver Kits are packaged and sold separately. Items in these kits are not included in the Mount Assembly Box, and must be purchased separately.

Copyright © 2009 Douglas Dynamics, L.L.C. All rights reserved. This material may not be reproduced or copied, in whole or in part, in any printed, mechanical, electronic, film or other distribution and storage media, without the written consent of Western Products. Authorization to photocopy items for internal or personal use by Western Products outlets or snowplow owner is granted.

Western Products reserves the right under its product improvement policy to change construction or design details and furnish equipment when so altered without reference to illustrations or specifications used. Western Products or the vehicle manufacturer may require or recommend optional equipment for snow removal. Do not exceed vehicle ratings with a snowplow. Western Products offers a limited warranty for all snowplows and accessories. See separately printed page for this important information. The following are registered (®) or unregistered (™) trademarks of Douglas Dynamics, L.L.C.: UltraMount®, WESTERN®.

Printed in U.S.A.