

# 29420 & 29420-1 H13 to HB-3 & H11 Adapter Kit

## Installation Instructions

### PLUG-IN HARNESS INSTALLATION

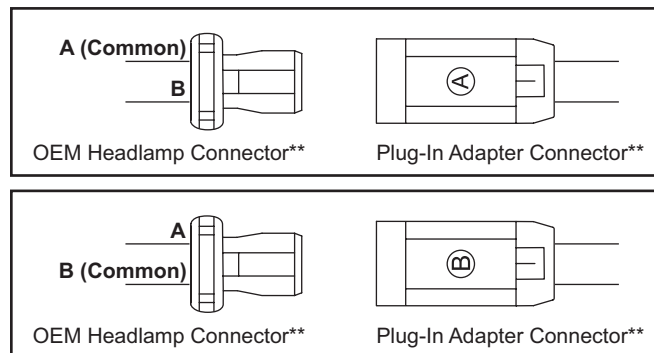
Follow the Isolation Module installation instructions included with the harness kit until directed to use these adapter kit instructions.

### PLUG-IN ADAPTER INSTALLATION

The plug-in adapter contains 4 reversible 2-position connectors. One set of connectors connects to the HB-3 bulbs and one set connects with the H11 bulbs.

1. Remove the headlamp connectors on the driver side of the vehicle, and plug them into the adapter 2-pin connectors.
2. Plug the adapter two-pin connectors into the driver-side headlamps.
3. Connect the adapter three-pin connectors to the three-pin connectors on the plug-in harness.
4. Repeat Steps 1–3 on the passenger side of the vehicle.

**NOTE: To properly install reversible 2-position connectors, it is necessary to know which pin of the OEM headlamp connectors is common\*. When mating the OEM headlamp connectors with the adapter, be sure to orient the connectors as shown below.**



\*\* Connector appearance will vary.

\* See A & B markings on the OEM headlamp connector for pin identification when testing for common.

The company reserves the right under its product improvement policy to change construction or design details and furnish equipment when so altered without reference to illustrations or specifications used. This equipment manufacturer or the vehicle manufacturer may require or recommend optional equipment for snow removal. Do not exceed vehicle ratings with a snowplow. The company offers a limited warranty for all snowplows and accessories. See separately printed page for this important information.