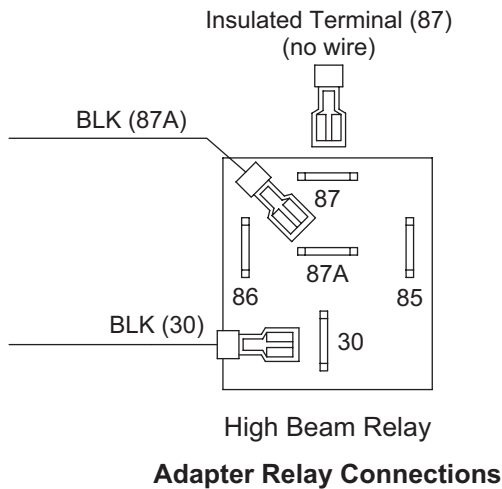


www.storksplows.com
29056-1 Adapter Kit

Installation Instructions

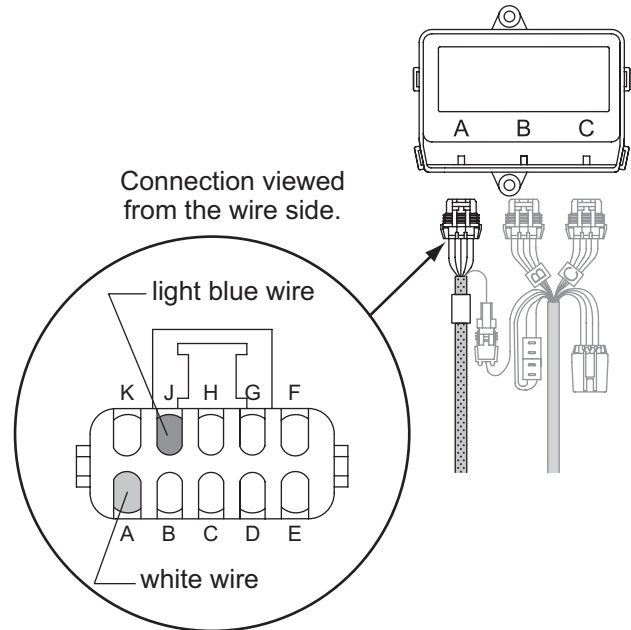
Do not rely on the headlamp type stamped on the vehicle lens assembly. It may be incorrect. Prior to making headlamp connections, properly identify the type of each bulb printed on the black plastic base.

1. Install the vehicle control harness and plug-in harness according to the Isolation Module installation instructions.
2. Remove the HB-1 headlamp connectors. Connect the plug-in adapter to both the HB-1 headlamps and the connectors removed from the HB-1 headlamps.
3. Route the adapter harness to the location of the 4-position connector on the plug-in harness.
4. Connect the wires from the plug-in adapter to the high beam relay as shown. The two wires from the adapter are labeled as shown.

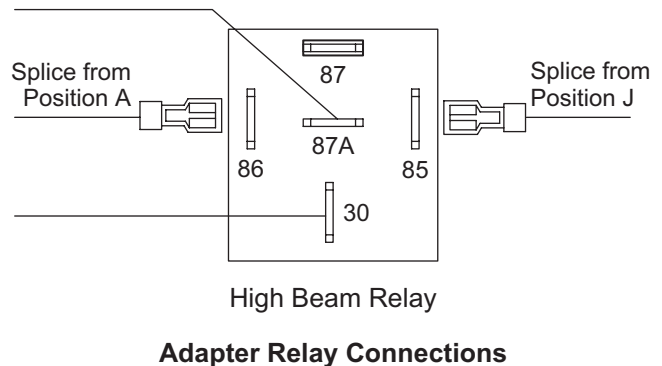


5. Install the insulated terminal onto Position 87 of the high beam relay.

6. Locate the 10-pin connector from the harness connected to Port A of the Isolation Module.



7. Splice a wire (not included) from the white wire of the 10-pin connector (Position A) to Position 86 of the high beam relay using the supplied push-on terminal.



8. Splice a wire (not included) from the light blue wire of the 10-pin connector (Position J) to Position 85 of the high beam relay using the supplied push-on terminal.

The company reserves the right under its product improvement policy to change construction or design details and furnish equipment when so altered without reference to illustrations or specifications used. This equipment manufacturer or the vehicle manufacturer may require or recommend optional equipment for snow removal. Do not exceed vehicle ratings with a snowplow. The company offers a limited warranty for all snowplows and accessories. See separately printed page for this important information.