

MAIN LIGHTING HARNESS INSTALLATION

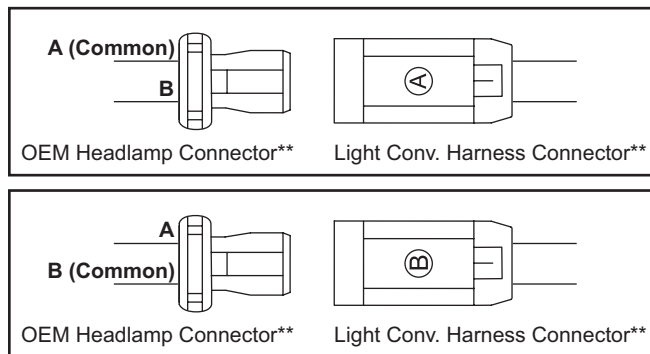
Follow the installation instructions included with the snowplow assembly until directed to install the light conversion harness kit.

LIGHT CONVERSION HARNESS KIT INSTALLATION

The light conversion harness contains 4 reversible 2-position connectors. One set of connectors connects to the HB-3 bulbs and one set connects with the H11 bulbs.

1. Remove the headlamp connectors on the driver side of the vehicle, and plug them into the light conversion harness 2-pin connectors.
2. Plug the light conversion harness two-pin connectors into the driver-side headlamps.
3. Connect the light conversion harness three-pin connectors to the three-pin connectors on the main lighting harness.
4. Repeat Steps 1–3 on the passenger side of the vehicle.

NOTE: To properly install reversible 2-position connectors, it is necessary to know which pin of the OEM headlamp connectors is common*. When mating the OEM headlamp connectors with the light conversion harness, be sure to orient the connectors as shown below.



** Connector appearance will vary.

* See A & B markings on the OEM headlamp connector for pin identification when testing for common.

Blizzard reserves the right under its product improvement policy to change construction or design details and furnish equipment when so altered without reference to illustrations or specifications used. Blizzard or the vehicle manufacturer may require or recommend optional equipment for snow removal. Do not exceed vehicle ratings with a snowplow. Blizzard offers a limited warranty for all snowplows and accessories. See separately printed page for this important information. The following is a registered (®) trademark of Douglas Dynamics, L.L.C.: BLIZZARD®.

Printed in U.S.A.