



Fisher Engineering

P.O. Box 529 Rockland, Maine 04841 • www.fisherplows.com

February 15, 2007
Lit. No. 29566, Rev. 01

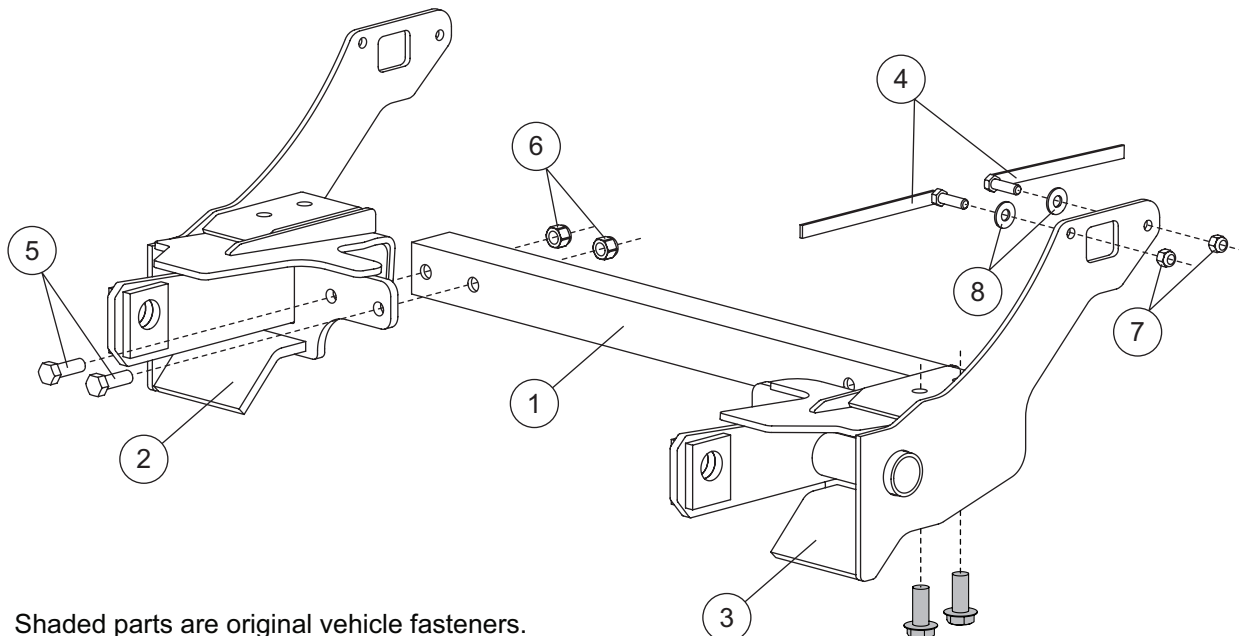
Minute² SYSTEM

MOUNT KIT

Toyota Tundra

2007 - __

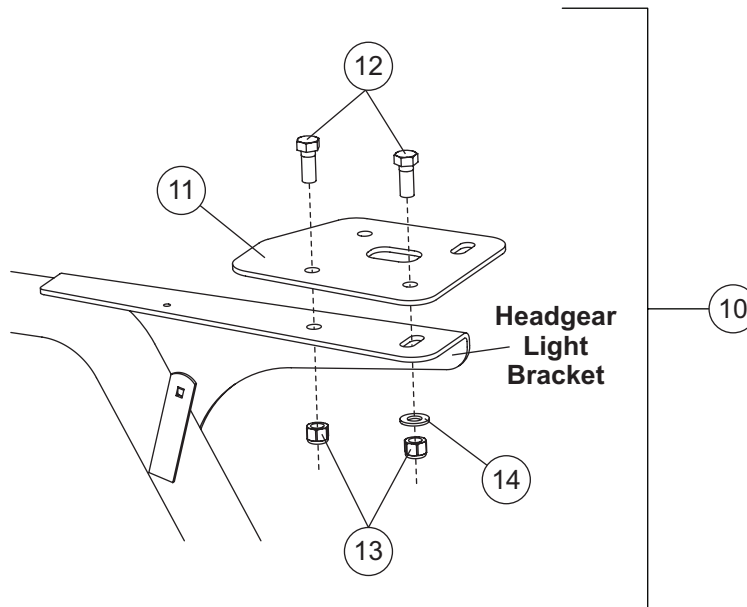
Parts List



Shaded parts are original vehicle fasteners.

7185 Mount Kit							
Item	Part	Qty	Description	Item	Part	Qty	Description
1	29554	1	Cross Bar	4	28043	4	3/8-16 x 1-1/4 Hex Cap Screw G5 with Handle
2	29548	1	Pushplate PS	10	29596	1	Headlamp Extension Bracket Kit
3	29550	1	Pushplate DS	ns	29352	1	Bolt Bag
29352 Bolt Bag							
5	90210	4	1/2-13 x 1-1/2 Hex Cap Screw G5	7	91333	4	3/8-16 Hex Locknut GB
6	91335	4	1/2-13 Hex Locknut GB	8	90315	4	3/8 Flat Washer
Item 10	29596 Headlamp Extension Bracket Kit						
11	29595	2	Headlamp Extension Bracket	13	91335	4	1/2-13 Hex Locknut GB
12	90575	4	1/2-13 x 1-1/4 Hex Cap Screw G5	14	90572	2	1/2 Hardened Flat Washer
ns = not shown				G = grade			

Headlamp Extension Bracket Kit



Copyright © 2007 Douglas Dynamics, L.L.C. All rights reserved. This material may not be reproduced or copied, in whole or in part, in any printed, mechanical, electronic, film or other distribution and storage media, without the written consent of Fisher Engineering. Authorization to photocopy items for internal or personal use by Fisher Engineering outlets or snowplow owner is granted.

Fisher Engineering reserves the right under its product improvement policy to change construction or design details and furnish equipment when so altered without reference to illustrations or specifications used. Fisher Engineering or the vehicle manufacturer may require or recommend optional equipment for snow removal. Do not exceed vehicle ratings with a snowplow. Fisher Engineering offers a limited warranty for all snowplows and accessories. See separately printed page for this important information. The following are registered (®) trademarks of Douglas Dynamics, L.L.C.: FISHER®, Minute Mount® 2.

Printed in U.S.A.