

**NOTE: Follow the instructions included with your snowplow assembly until prompted to install the main lighting harness. At that point, follow this document, then return to the snowplow assembly instructions to complete the installation of the vehicle wire harness, light tower, headlamps and control, as well as final testing. The B29680 vehicle lighting harness will be used in place of the B62212 main lighting harness. The B62212 main lighting harness will not be used.**

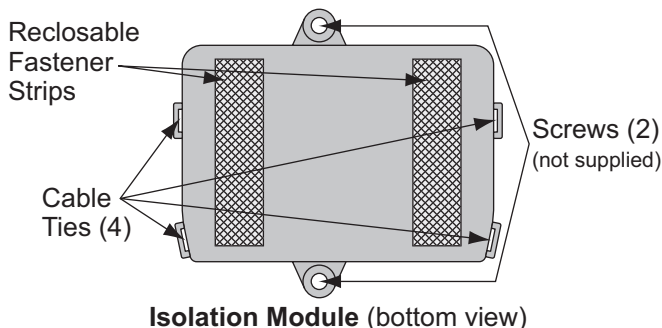
## ISOLATION MODULE MOUNTING

The design of the Isolation Module allows it to be mounted to a variety of surfaces within the engine compartment. The function of the Isolation Module will not be affected by its mounting orientation.

### ⚠ CAUTION

**Before installing self-drilling screws or drilling mounting holes, check the selected mounting area for any wires, hoses or other obstructions.**

Locate a flat surface within the engine compartment of the vehicle for mounting the Isolation Module (**on the driver side if possible**). For example, the fire wall, fender well or radiator shroud are possible mounting locations. If a flat surface cannot be located, cable tie the Isolation Module to existing brackets or harnessing. Reclosable fastener strips and cable ties are supplied for mounting the Isolation Module, but self-drilling screws can also be used. When using the reclosable fastener strips, the mounting surface must be free of dirt and grease.



## HARNESS INSTALLATION

### Plug-In Harness

1. **For vehicles with H13 Headlamps:** Remove the headlamp connectors. Connect the plug-in harness to the mating connectors removed from

the headlamps. Connect the plug-in harness to the mating connections at the headlamps.

**For vehicles with 2B Headlamps:** Install the conversion harness using the instructions included with the B62220 kit. Connect the plug-in harness to the conversion harness.

2. Route the plug-in harness to the 3-port Isolation Module. Connect the plug-in harness to the module by matching harness connector B with module port B and harness connector C with module port C.
3. Splice the "PARK" wire from the plug-in harness into the parking light wire at the vehicle headlamp.
4. Connect the dark blue and dark green turn signal wires from the plug-in harness to the vehicle front turn signal lamps.

### Vehicle Lighting Harness

1. Position the vehicle lighting harness with both snowplow headlamp connectors near the grille of the vehicle.
2. Route the harness around or through the radiator bulkhead to the 3-port Isolation Module. Connect the lighting harness to module port A.

### Adapter

1. Plug the 2-pin adapter connector into the mating 2-pin connector on the vehicle harness.
2. Route the adapter 4-pin connector to the plug-in harness, and connect it to the plug-in harness 4-pin connector.
3. Route the red adapter wire with ring terminal to the battery, and connect it to the POSITIVE (+) terminal.
4. Route the second red wire to a switched accessory and connect. Shorten or lengthen wire as needed.

### Securing Wires and Cables

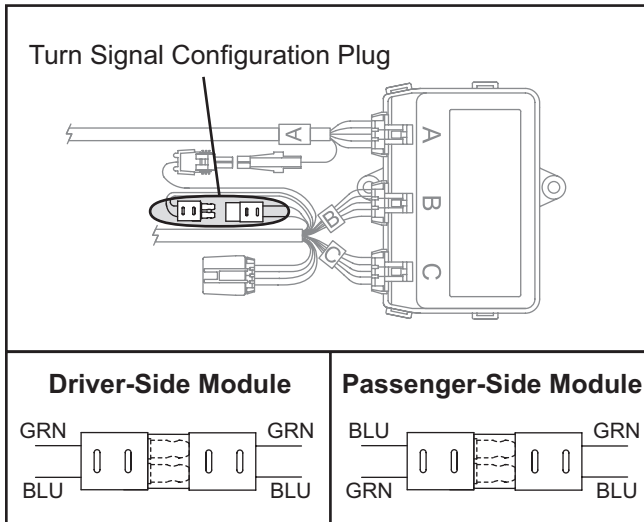
1. Secure adapter, harnesses and cables to the vehicle, safely routing them away from sharp, hot or moving parts. Position the snowplow headlamp connectors from the vehicle lighting harness in a location that is accessible from the grille, then cable tie them to the vehicle to prevent them from hanging too low.

B29760-1

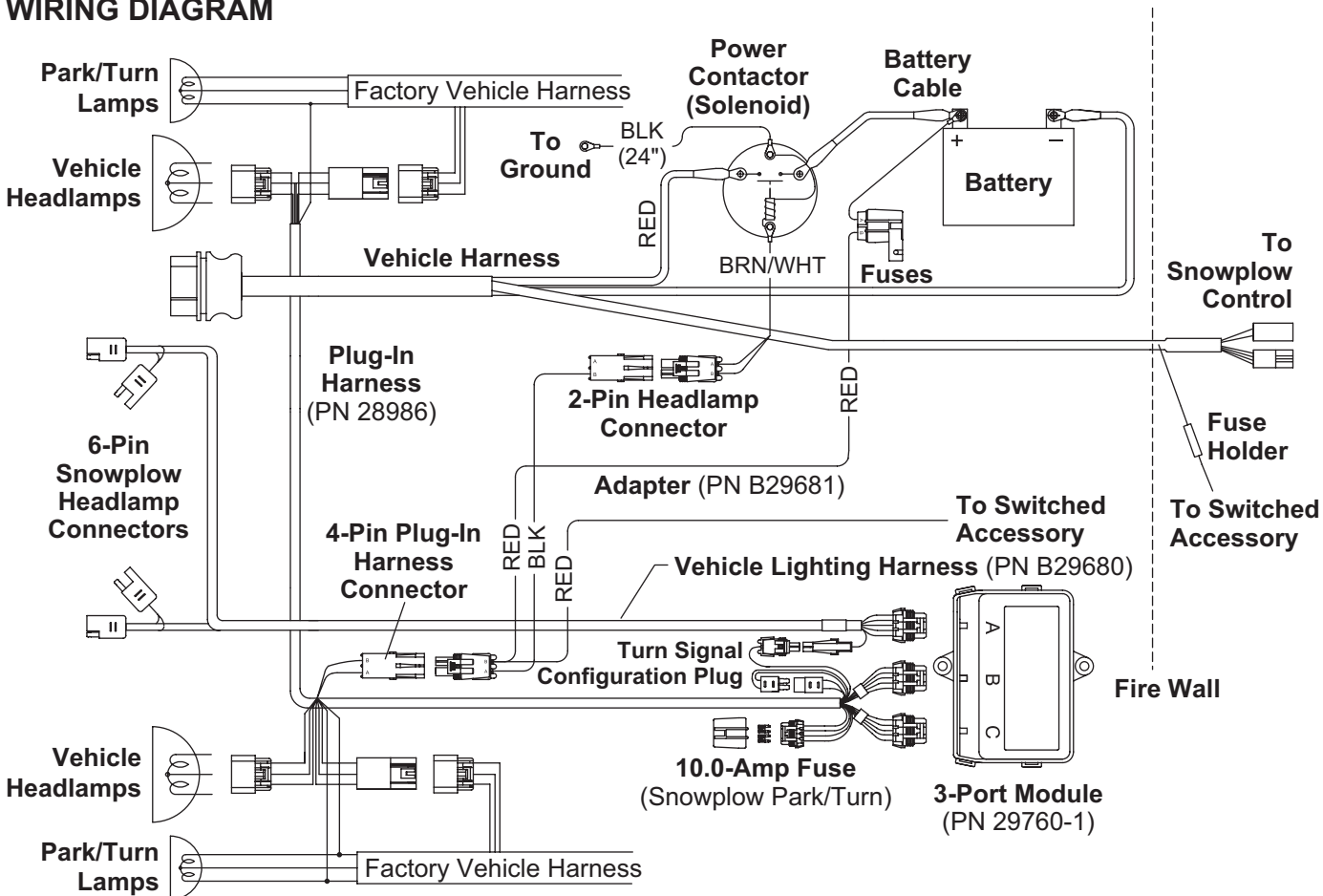
TURN SIGNAL CONFIGURATION PLUG

**⚠ WARNING**  
 If the turn signal configuration plug is mated incorrectly, the turn signals will be reversed between the vehicle and the snowplow.

1. Mate the turn signal configuration plug located on the plug-in harness. If the Isolation Module is installed on the driver side, mate the plug so that the wire colors match (green to green and blue to blue). If the module is installed on the passenger side, mate the plug so that the wire colors are opposite (green to blue).
2. Connect the single-wire connector from the vehicle lighting harness to the single-wire connector from the plug-in harness.



WIRING DIAGRAM



Blizzard reserves the right under its product improvement policy to change construction or design details and furnish equipment when so altered without reference to illustrations or specifications used. Blizzard or the vehicle manufacturer may require or recommend optional equipment for snow removal. Do not exceed vehicle ratings with a snowplow. Blizzard offers a limited warranty for all snowplows and accessories. See separately printed page for this important information. The following is a registered (®) trademark of Douglas Dynamics, L.L.C.: BLIZZARD®.