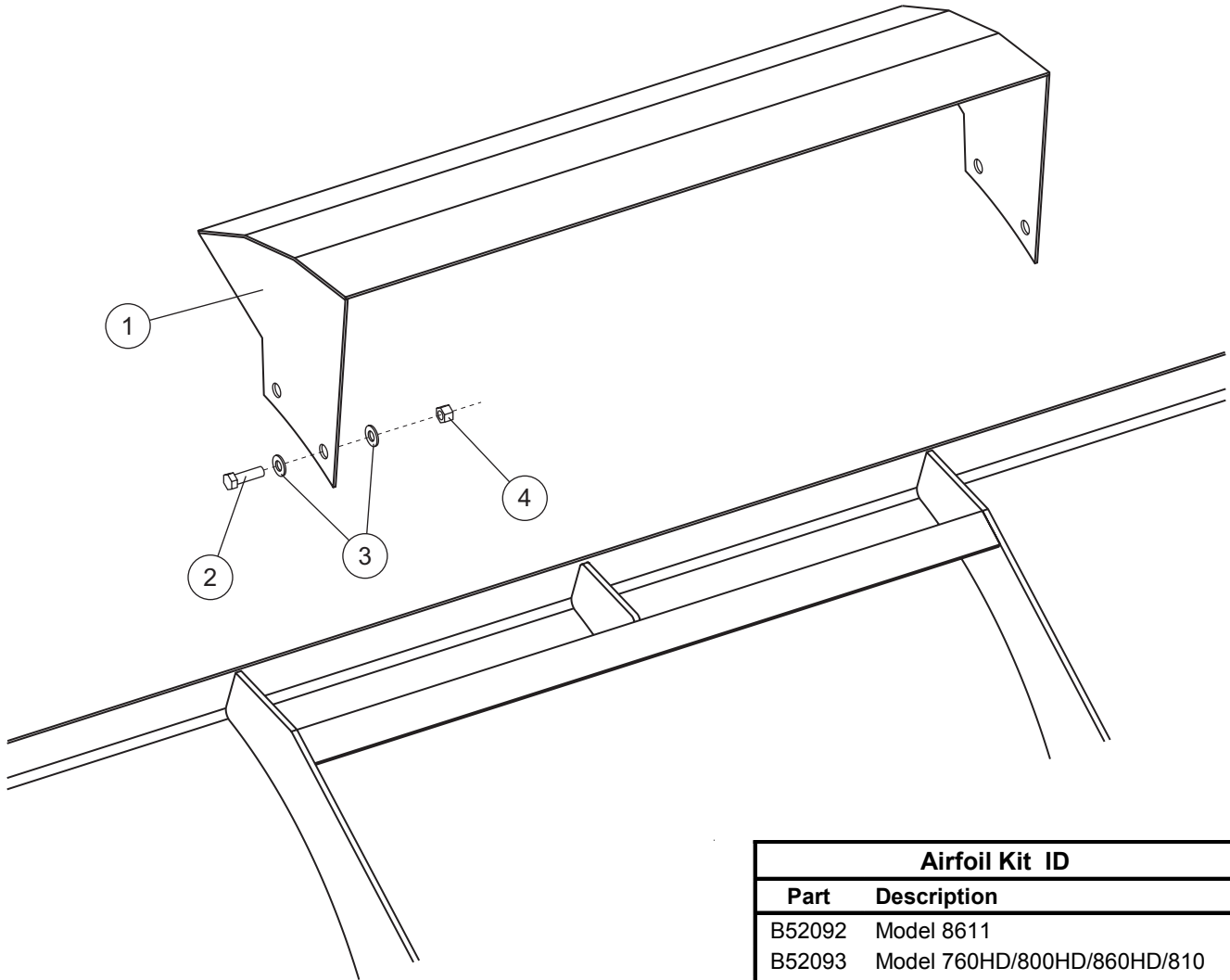


PARTS LIST


Airfoil Kit ID	
Part	Description
B52092	Model 8611
B52093	Model 760HD/800HD/860HD/810
B81041	Model 700LT/760LT

Airfoil Kits					
Item	Qty	Description	Part		
			B52092	B52093	B81041
1	1	Airfoil	B61423	B61246	B81046
ns	1	Hardware Kit	B61413		
B61413 Hardware Kit					
2	4	3/8-16 x 1 Hex Cap Screw G5	90039		
3	8	3/8 Hardened Flat Washer	29233		
4	4	3/8-16 Hex Locknut GC	B61034		
ns = not shown			G = grade		

B52092, B52093, B81041

INSTALLATION INSTRUCTIONS

⚠ WARNING

Do not exceed GVWR or GAWR, including blade and ballast. The rating label is found on the driver-side vehicle door cornerpost.

⚠ CAUTION

Read this document before installing the Airfoil kit.

⚠ CAUTION

Use standard methods and practices when attaching snowplow and installing accessories including proper personal protective safety equipment.

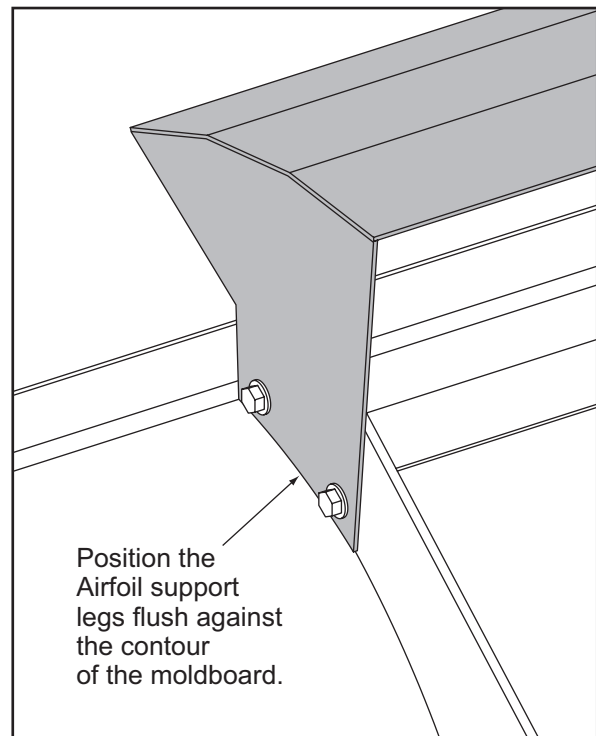
⚠ CAUTION

See your sales outlet for specific vehicle application recommendations before installation. Airfoil kit weight information may be found in the Undercarriage Selection Guide.

1. Park the vehicle on a smooth, level, hard surface, such as concrete. Lower the blade to the ground, and turn the control to the OFF position. Disconnect the snowplow from the vehicle, or turn the vehicle ignition to the OFF position and remove the key.
2. Place the Airfoil on the back of the blade with the support legs on the outside of the center support ribs. Slide the Airfoil forward until it comes in contact with the front curl of the moldboard.

NOTE: The support legs may need to be stretched to fit on the outside of the center support ribs.

3. Clamp the Airfoil to the blade with the Airfoil support legs flush against the contour of the moldboard.



4. The holes in the Airfoil will be used as guides to drill holes in the center support ribs. Make sure that none of the holes in the Airfoil align with the trip spring mount angle. If any of the holes do align with the trip spring mount angle, adjust and reclamp the Airfoil as necessary before drilling.
5. Using the holes in the Airfoil support legs as guides, drill four 7/16" holes in the center support ribs.
6. Attach the Airfoil to the blade using the supplied 3/8" x 1" cap screws, washers and locknuts. Tighten fasteners to 31 ft-lb.

Copyright © 2007 Douglas Dynamics, L.L.C. All rights reserved. This material may not be reproduced or copied, in whole or in part, in any printed, mechanical, electronic, film or other distribution and storage media, without the written consent of Blizzard. Authorization to photocopy items for internal or personal use by the Blizzard outlets or snowplow owner is granted.

Blizzard reserves the right under its product improvement policy to change construction or design details and furnish equipment when so altered without reference to illustrations or specifications used. Blizzard or the vehicle manufacturer may require or recommend optional equipment for snow removal. Do not exceed vehicle ratings with a snowplow. Blizzard offers a limited warranty for all snowplows and accessories. See separately printed page for this important information. The following is a registered (®) trademark of Douglas Dynamics, L.L.C.: BLIZZARD®.

Printed in U.S.A.