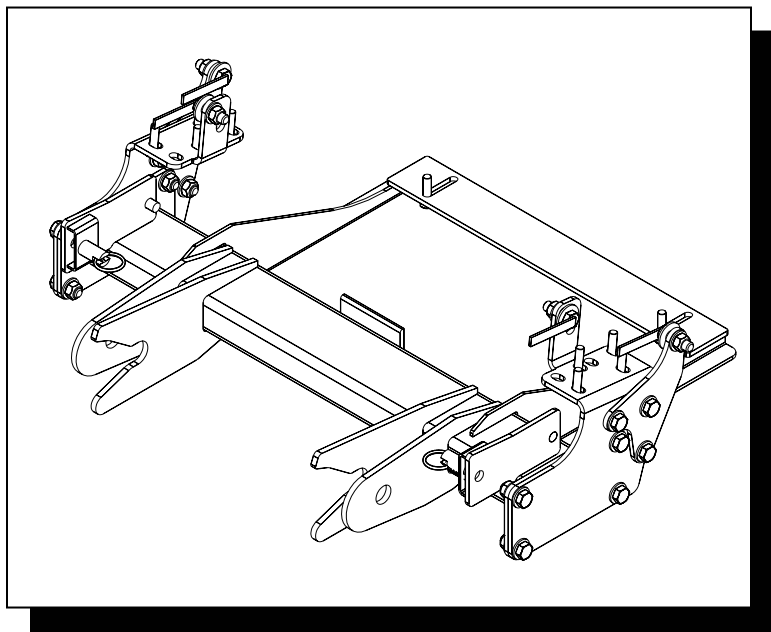


# **BLIZZARD**<sup>®</sup> **SNOWPLOWS**

## UNDERCARRIAGE INSTALLATION INSTRUCTIONS



UNDERCARRIAGE **30152**

HARDWARE KIT **61461**

FOR MODELS:

*CHEVROLET S10 PICKUP (1994-2003)*

*CHEVROLET BLAZER (1995-2003)*

*GMC SONOMA (1994-2003)*

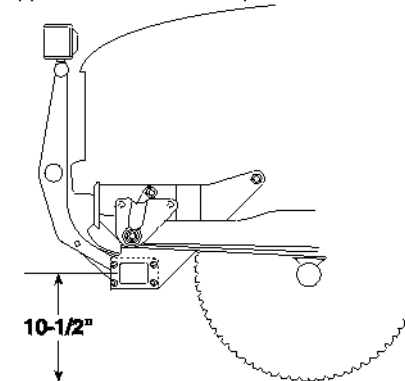
*GMC JIMMY (1995-2003)*

*OLDSMOBILE BRAVADA (1995-2002)*

## INSTALLATION INSTRUCTIONS



A label identifying the undercarriage assembly part number and push beam part number is applied to the rear of the push beam.



The recommended push beam height for this undercarriage assembly is 10-1/2" from the center of the push beam to level ground. DO NOT exceed 12-1/2" in height for this undercarriage.



**WARNING:** Always perform vehicle undercarriage installations with the keys removed from the vehicle's ignition. Properly tag the ignition switch to alert others work is being performed on the vehicle.

Most newer trucks are equipped with driver and passenger's side air bags. DO NOT remove, disable, or reposition any sensory equipment related to the safe operation of the air bags.

ALWAYS follow the vehicle manufacturer's recommendations for installing snowplowing equipment.

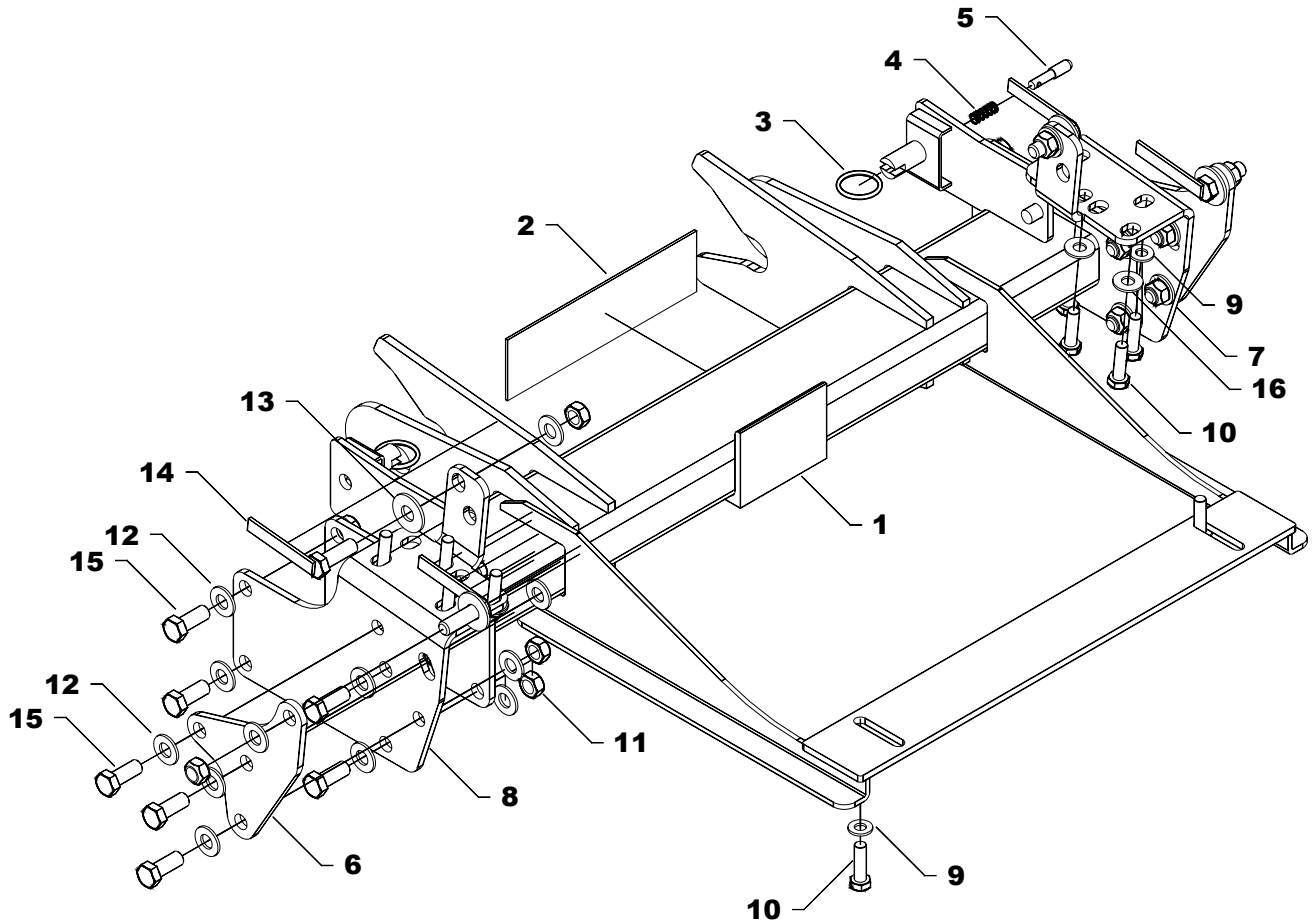
FAILURE TO COMPLY WITH THE ABOVE WARNINGS MAY RESULT IN SERIOUS INJURY OR DEATH.



**CAUTION:** If your vehicle is equipped with oversize tires, they may come into contact with the undercarriage hanger plates when turning the vehicle. Adjust steering stops if possible.

1. Removing the bumper fascia. *Note: The bumper fascia may need to be permanently notched or removed to accommodate the undercarriage assembly.* Also, if the vehicle is equipped with fog lamps, disconnect each lamp electrical harness before removing the bumper fascia.
2. Remove the air dam and both tow hooks from the vehicle. Discard all original fasteners.
3. Position each hanger plate (**Ref 7 & 8**) under the truck frame rails. The holes in the plate should align with the tow hook/air dam mount holes in the frame. Secure top hole in plates in position with bolts (**Ref 14**) and washers (**Ref 13**). Position the bolt and washer through the inside wall of the frame rail and hanger plate. Secure with washer (**Ref 12**) and nuts (**Ref 11**) on the outside of the frame. Finger tighten the fasteners until all undercarriage parts are in place.
4. Position the support plates (**Ref 6**) at the outside of each frame rail. Align the bolt (**Ref 14**) and washer (**Ref 13**) through the interior of the frame rail and top hole in the support plate. Secure bolts with washers (**Ref 12**) and nuts (**Ref 12**) on the outside of the frame.
5. Reposition the air dam and tow hooks. Secure the air dam to each hanger plate using bolts (**Ref 10**) and washers (**Ref 16**). The bolts will secure to welded nuts on the interior of the frame rail. Secure the tow hooks to each frame rail using bolts (**Ref 10**) and washers (**Ref 9**). The bolts will go through the hanger plate and thread into the tow hooks.
6. Align the holes in the support plate with the holes in the hanger plates. Secure the plates together with bolts (**Ref 15**), washers (**Ref 12**) and nuts (**Ref 11**).
7. Position the pushbeam (**Ref 1**) between the hanger plates and align the rear crossmember support in the middle of the frame crossmember. *Note: Use a hydraulic floor jack to help facilitate the installation.*
8. Position the air dam against the crossmember and align the holes in the pushbeam crossmember support with the holes in the frame. Secure the support with bolts (**Ref 10**) and washers (**Ref 9**). The bolts will thread into the welded nuts at the interior of the crossmember.
9. Mount the pushbeam (**Ref 1**) square with the bottom of each hanger plate using bolts (**Ref 15**), washers (**Ref 12**) and nuts (**Ref 11**). Torque the pushbeam hardware according to specifications. *Note: The hardware kit provided with this undercarriage contains fasteners not used in this assembly. The following hardware is not used: (2) 1/2"-13 x 1-1/2" bolts.*
10. Level the pushbeam with the floor and tighten the hanger plate hardware according to torque specifications
11. Replace the notched plastic bumper fascia using the existing hardware and connect the fog lamp electrical harnesses (if applicable).
12. Position the **Light Tower** into the mount pockets on the push beam. Each pocket has a lock pin that secures both light tower arms. Pull out and twist each ring handle to temporarily unlock the pins. Place the light tower into the pockets and relock the pins. Mount each **Plow Headlight** to the light tower with the hardware kit provided.
13. Plug the connectors from the snowplow headlights into the connectors on the vehicle wire harness. Adjust both lights with the plow in the raised position.

## UNDERCARRIAGE PARTS



REF	PN	QTY	DESCRIPTION	NOTES
-	30152	1	Asm, Undercarriage	INCLUDES 1-16
-	61461	1	Kit, Hardware UC	INCLUDES 9-16
1	30153	1	Weldment, Push Beam 2 X 4 X 30.25	
2	63162	1	Decal, Push Beam 1-1/2" x 6-1/2"	
3	61309	2	Ring, Standard Split, 1.48" O.D	
4	61000	2	Spring, Draw Latch Lock Pin	
5	40079	2	Pin, 3/8" DIA. x 1-3/4" SS	
6	30140	2	Plate, Hanger Support	
7	30150	1	Plate, Hanger Passenger's Side	
8	30151	1	Plate, Hanger Driver's Side	
9	61016	6	Washer, 3/8" SAE Hardened	
10	61451	10	Screw, M10-1.5 x 35 GR8.8 Z	
11	61020	18	Nut, 1/2-13 Top Lock Z	
12	61026	32	Washer, 1/2" SAE Hardened	
13	61027	4	Washer, 1/2" USS Hardened	
14	61151	4	Screw, 1/2-13 x 1-1/2 HHCS GR8 YZ w/ welded tab	
15	61057	14	Screw, 1/2-13 x 1-1/4 HHCS GR8 YZ	
16	61452	4	Washer, 3/8" USS Hardened	

*Note: The reference numbers listed identify parts shown in the illustration above. These numbers are specific to this illustration only. Always review the part number given for proper component identification. Blizzard Corporation reserves the right, under its Continuous Improvement Policy, to change construction or design details and furnish equipment when so altered without reference to illustrations or specifications.*

## HEADLIGHT CONVERSION HARNESS GUIDE

VEHICLE APPLICATION	HEADLIGHT CONNECTOR	HEADLIGHT DESCRIPTION	HEADLIGHT NUMBERS	CONVERSION HARNESS
1998-2003 CHEVROLET S10 PICKUP 1998-2003 CHEVROLET BLAZER 1998-2003 GMC SONOMA 1998-2003 GMC JIMMY 1998-2003 OLDSMOBILE BRAVADA	HB3/HB4	QUAD COMPOSITE HALOGEN BULB	H9005, H9006	62223 OR 62224
1983-1997 CHEVROLET S10 PICKUP 1983-1997 CHEVROLET BLAZER 1983-1997 GMC SONOMA 1983-1997 GMC JIMMY 1995-1997 OLDSMOBILE BRAVADA	2B/2D	DUAL RECTANGULAR HEADLAMP	H6054, HP6054	62220
	HB3/HB4	QUAD COMPOSITE HALOGEN BULB	H9005, H9006	62223
	2E	DUAL RECT. SMALL HALOGEN LAMPS	HP6545, H6545	62228

Note: Headlight conversion harness kits are not included with undercarriages. All headlight conversion harness kits sold separately.

### TORQUE SPECIFICATIONS (For reference only)



Grade Identification Marking for J429-Grade 5 Bolt



Grade Identification Marking for J429-Grade 8 Bolt

Nominal Thread Size	SAE J429 – Grade 5			Nominal Thread Size	SAE J429 – Grade 8		
	Clamp Loads (lbs)	Tightening Torque			Clamp Loads (lbs)	Tightening Torque	
		“Lubricated”	“Dry”			“Lubricated”	“Dry”
1/4-20	2,000	6 ft-lbs	8 ft-lbs	1/4-20	2,850	9 ft-lbs	12 ft-lbs
5/16-18	3,350	13 ft-lbs	18 ft-lbs	5/16-18	4,700	18 ft-lbs	25 ft-lbs
3/8-16	4,950	23 ft-lbs	31 ft-lbs	3/8-16	6,950	32 ft-lbs	44 ft-lbs
7/16-14	6,800	37 ft-lbs	50 ft-lbs	7/16-14	9,600	53 ft-lbs	70 ft-lbs
1/2-13	9,050	57 ft-lbs	75 ft-lbs	1/2-13	12,800	80 ft-lbs	107 ft-lbs
9/16-12	11,600	82 ft-lbs	109 ft-lbs	9/16-12	16,400	115 ft-lbs	154 ft-lbs
5/8-11	14,500	113 ft-lbs	151 ft-lbs	5/8-11	20,300	159 ft-lbs	211 ft-lbs
3/4-10	21,300	200 ft-lbs	266 ft-lbs	3/4-10	30,100	282 ft-lbs	376 ft-lbs
7/8-9	29,435	321 ft-lbs	430 ft-lbs	7/8-9	41,550	454 ft-lbs	606 ft-lbs
1-8	38,600	482 ft-lbs	640 ft-lbs	1-8	54,540	680 ft-lbs	900 ft-lbs



Grade Identification Marking for Metric-Grade 8.8 Bolt



Grade Identification Marking for Metric-Grade 10.9 Bolt

Diameter (mm)	Metric Class 8.8			Diameter (mm)	Metric Class 10.9		
	Clamp Loads (Pounds)	Tightening Torque			Clamp Loads (Pounds)	Tightening Torque	
		“Lubricated”	“Dry”			“Lubricated”	“Dry”
5	1,389	3 ft-lbs	5 ft-lbs	5	1,987	5 ft-lbs	7 ft-lbs
6	1,965	6 ft-lbs	8 ft-lbs	6	2,812	8 ft-lbs	11 ft-lbs
7	2,826	10 ft-lbs	13 ft-lbs	7	4,044	14 ft-lbs	19 ft-lbs
8	3,579	14 ft-lbs	19 ft-lbs	8	5,121	20 ft-lbs	27 ft-lbs
10	5,672	28 ft-lbs	37 ft-lbs	10	8,116	40 ft-lbs	53 ft-lbs
12	8,243	49 ft-lbs	65 ft-lbs	12	11,796	70 ft-lbs	92 ft-lbs
14	11,246	77 ft-lbs	103 ft-lbs	14	16,092	111 ft-lbs	148 ft-lbs
16	15,882	125 ft-lbs	167 ft-lbs	16	21,970	173 ft-lbs	231 ft-lbs
18	19,423	172 ft-lbs	229 ft-lbs	18	26,868	238 ft-lbs	317 ft-lbs
20	24,784	244 ft-lbs	325 ft-lbs	20	34,284	338 ft-lbs	450 ft-lbs