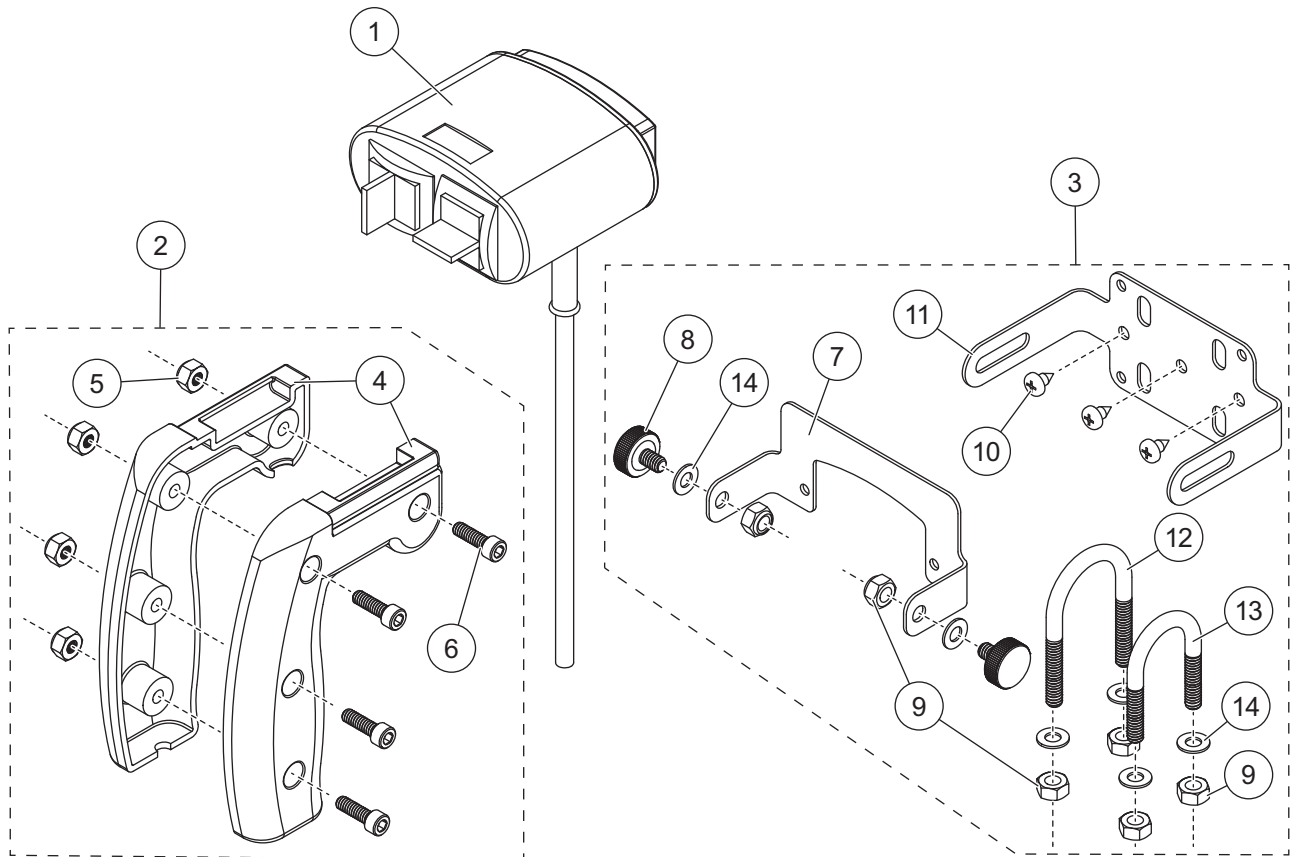


Control Kit

Mid-Duty UTV Snowplows

PARTS LIST



90175/90180/90185 Snowplow Control Kit, Mid-Duty UTV							
Item	Part	Qty	Description	Item	Part	Qty	Description
1	90125	1	Hand-Held Control, Mid-Duty UTV	3	90150	1	Bracket Kit, UTV Snowplow Control
2	90115	1	Handle Grip Housing Kit				
Item 2				90115 Handle Grip Housing Kit			
4	91468	1	Handle Housing (2 halves)	6		4	#10-24 x 5/8 Socket Head Cap Screw SS
5		4	#10-24 Hex Locknut GB SS				
Item 3				90150 Bracket Kit, UTV Snowplow Control			
7	91469	1	Bracket – Control	11	91471	1	Bracket – Mounting
8		2	1/4-20 x 3/8 Thumb Screw, Plastic	12		1	1/4-20 x 1-1/4 x 2-1/4 RD U-Bolt SS
9		6	1/4-20 Hex Locknut GB SS	13		1	1/4-20 x 1 x 1-3/4 RD U-Bolt SS
10		3	#10 PHST x 3/8 Tapping Screw SS	14		6	1/4 Flat Washer SS
G = Grade				SS = Stainless Steel			

INSTALLATION INSTRUCTIONS

⚠ CAUTION
Read this document before installing the control.

⚠ CAUTION
Use standard methods and practices when attaching snowplow and installing accessories, including proper personal protective safety equipment.

⚠ CAUTION
See your sales outlet/website for specific vehicle application recommendations before installation. The online selection system has specific vehicle and snowplow requirements.

FUSES

The snowplow electrical and hydraulic systems contain several automotive-style fuses. If a problem should occur and fuse replacement is necessary, the replacement fuse must be of the same type and amperage rating as the original. Installing a fuse with a higher rating can damage the system and could start a fire. Fuse Replacement, including fuse ratings and locations, is located in the Maintenance section of the snowplow Owner's Manual.

NOTE: The controls do not contain onboard fuses. Consult your snowplow Owner's Manual for fuse replacement. Fuses are located on the vehicle and control harnesses.

NOTE: Circuit board may be damaged by static electricity. Always touch ground before handling PC board.

Control

⚠ WARNING
To prevent accidental movement of the blade, always unplug the control whenever the snowplow is not in use.

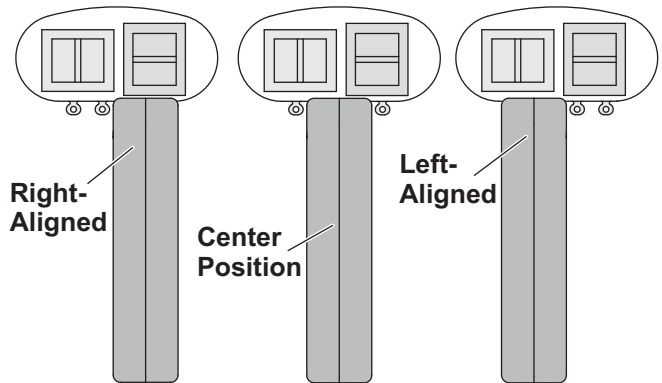
The control is electrically powered through the ignition (key) switch of your vehicle and protected by a replaceable in-line fuse.

The control can be assembled in one of several configurations, depending on your vehicle.

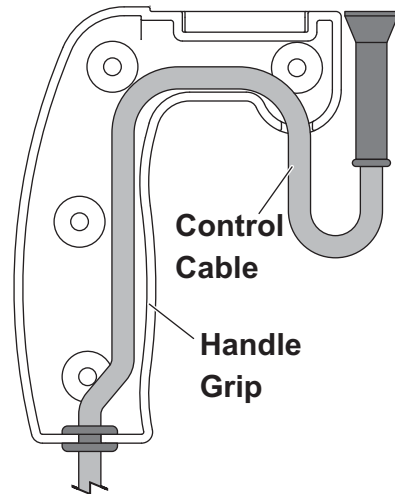
Hand-Held Control Assembly

1. Choose a position on the control for the handle grip—left-aligned, right-aligned, or center-positioned.

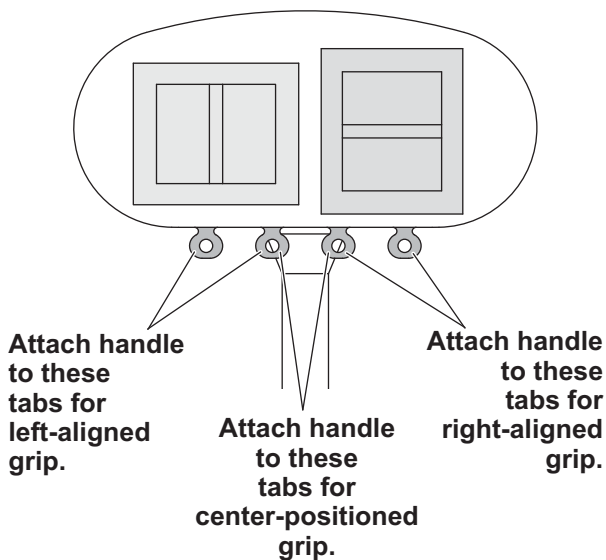
Handle Grip Options



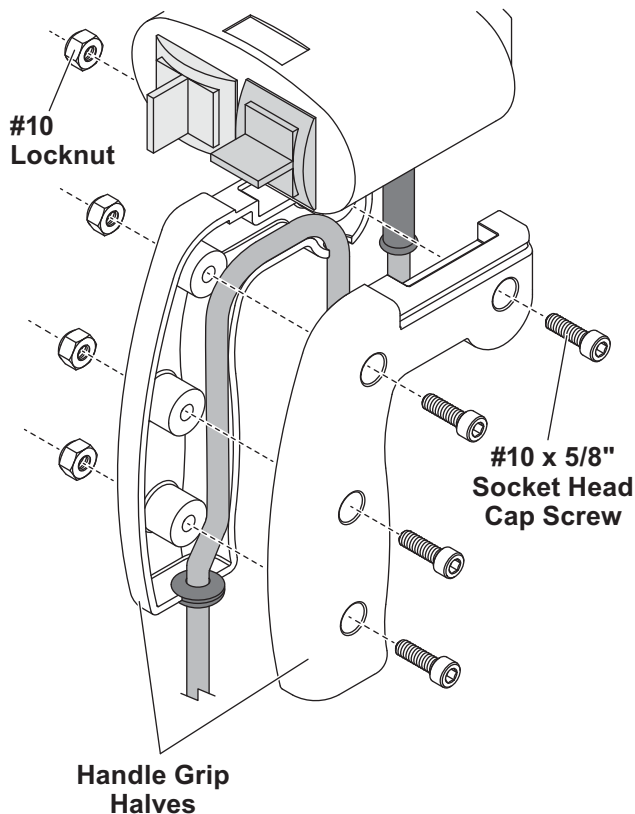
2. Route the control cable through the handle grip as shown.



3. With the control cable in place, sandwich the handle grip halves around the pair of tabs corresponding to the desired handle alignment.



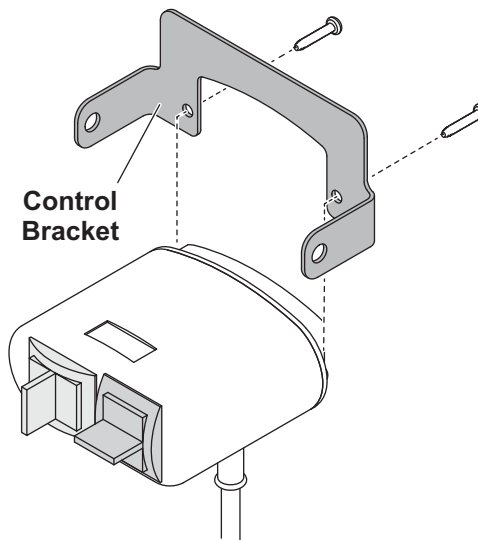
4. Secure the handle grip halves with the four socket head cap screws and four locknuts.



Control Bracket Installation

The control bracket must be installed to the control for the dash and handlebar mounts.

1. Remove and retain the two screws from the rear of the control, leaving the rear panel of the control in place.

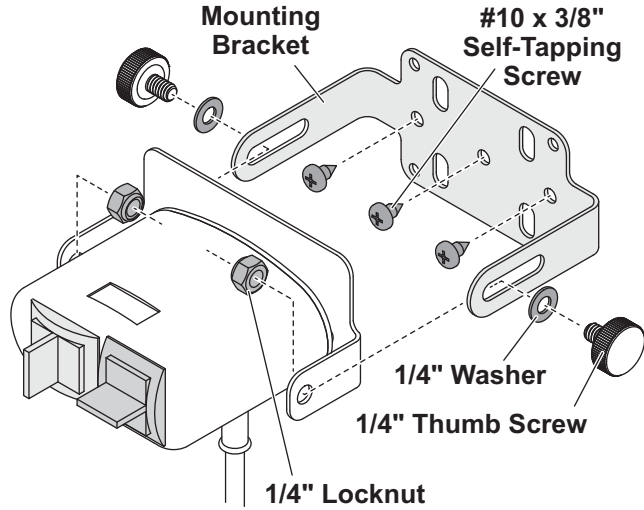


2. Replace the control bracket over the tab on the control's rear panel so that the bracket holes are aligned with the rear panel holes.
3. Reinstall the screws, being careful not to overtighten them.

90175, 90180, 90185

Dash Mount

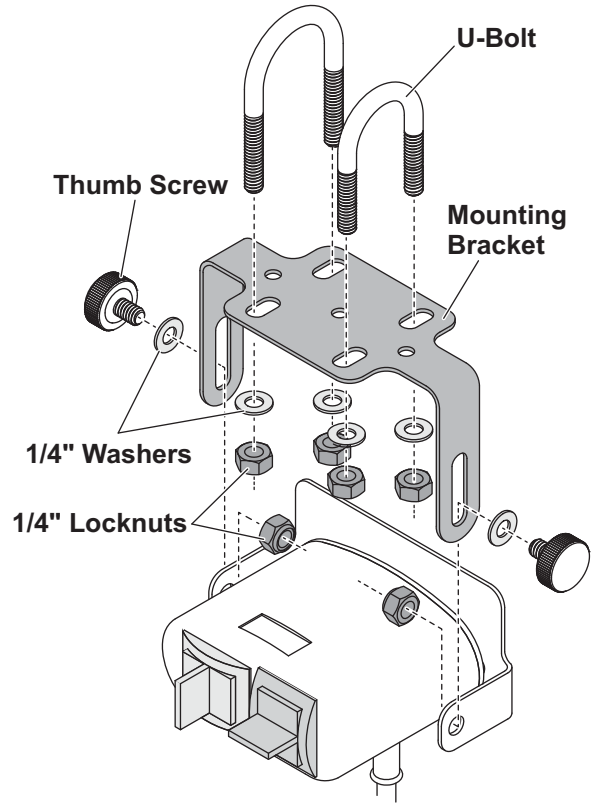
1. Install the mounting bracket to the dash with the three #10 x 3/8" self-tapping screws as shown.



2. Attach the control to the slots in the bracket with two 1/4" thumb screws, two 1/4" washers, and two 1/4" locknuts as shown.

Handlebar Mount

1. Install the mounting bracket to a handlebar with the two U-bolts, four 1/4" washers, and four 1/4" locknuts.



2. Attach the control to the slots in the bracket with two 1/4" thumb screws, two 1/4" washers, and two 1/4" locknuts as shown.

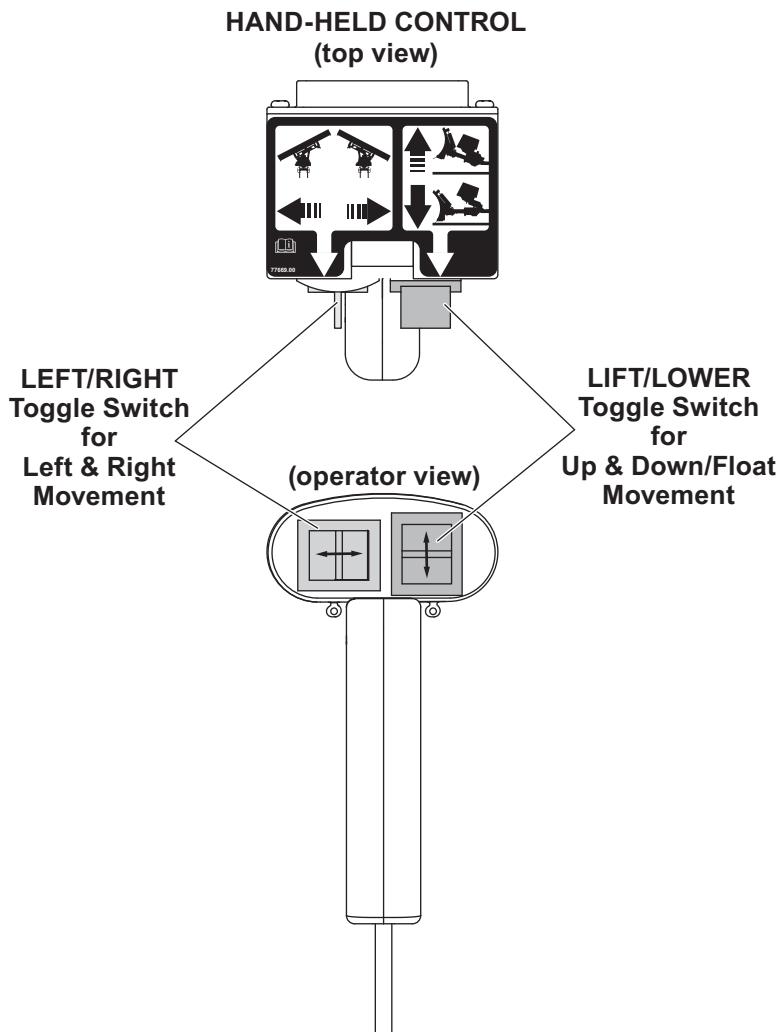
HAND-HELD CONTROL

⚠ WARNING

To prevent accidental movement of the blade, always unplug the control whenever the snowplow is not in use.

Function	Description of Operation
RAISE	Press the LIFT/LOWER toggle switch UP to raise the blade and cancel the FLOAT mode. Release switch once blade is raised. There is no time out.
LOWER	Press the LIFT/LOWER toggle switch DOWN to lower the blade. Place LIFT/LOWER toggle switch in middle position to stop blade at desired height.

Function	Description of Operation
FLOAT	<p>Press the LIFT/LOWER toggle switch DOWN to latching position. The blade will lower to the ground surface and follow the contour of the surface as it dips or rises. This function does not time out.</p> <p>Press the LIFT/LOWER toggle switch UP momentarily to cancel FLOAT. Angling left or right will not interrupt (pause) the FLOAT function. Place LIFT/LOWER toggle switch in middle position to stop blade at desired height.</p>
LEFT (Angle Left)	Press the LEFT/RIGHT toggle switch to the LEFT to move the blade into the angle left position. Release toggle switch when blade is in desired position. There is no time out.
RIGHT (Angle Right)	Press the LEFT/RIGHT toggle switch to the RIGHT to move the blade into the angle right position. Release toggle switch when blade is in desired position. There is no time out.



Copyright © 2021 Douglas Dynamics, LLC. All rights reserved. This material may not be reproduced or copied, in whole or in part, in any printed, mechanical, electronic, film, or other distribution and storage media, without the written consent of the company. Authorization to photocopy items for internal or personal use by the company's outlets or snowplow owner is granted.

The company reserves the right under its product improvement policy to change construction or design details and furnish equipment when so altered without reference to illustrations or specifications used. This equipment manufacturer or the vehicle manufacturer may require or recommend optional equipment for snow removal. Do not exceed vehicle ratings with a snowplow. The company offers a limited warranty for all snowplows and accessories. See separately printed page for this important information.

Printed in U.S.A.
