



May 15, 2008  
Lit. No. 40397, Rev. 00

# 33980 UNDERCARRIAGE KIT

Dodge Ram 1500

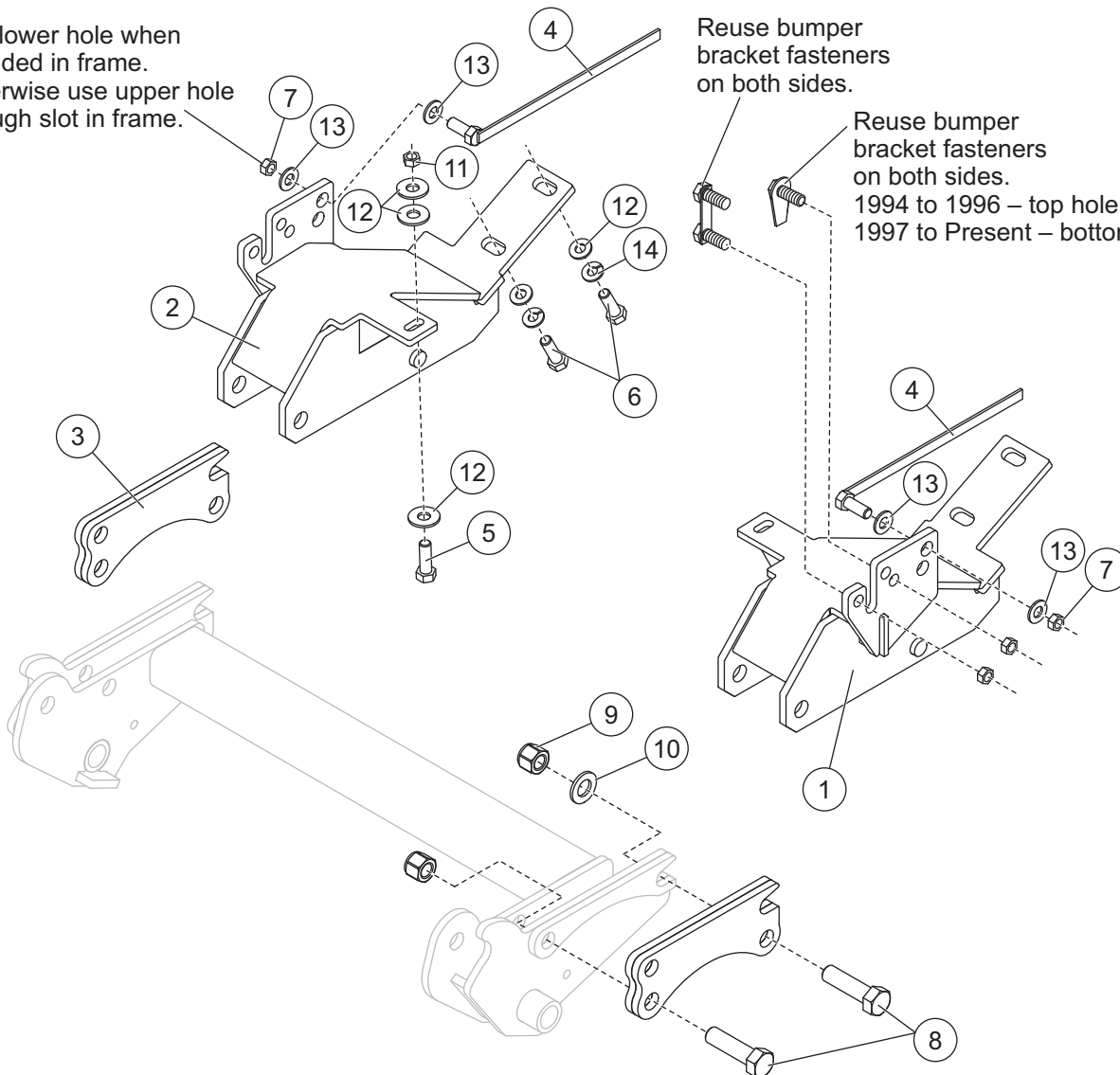
1994 - 01

## Parts List

Use lower hole when provided in frame. Otherwise use upper hole through slot in frame.

Reuse bumper bracket fasteners on both sides.

Reuse bumper bracket fasteners on both sides.  
1994 to 1996 – top hole  
1997 to Present – bottom hole



33980

33980 Undercarriage Kit							
Item	Part	Qty	Description	Item	Part	Qty	Description
1	40391	1	Mount, DS	4	8879	2	1/2-13 x 1-1/4 Hex Cap Screw G5
2	40392	1	Mount, PS				w/Handle
3	40539	2	Adapter Plate, Short	ns	40393	1	Bolt Bag
40393 Bolt Bag							
5	90066	2	7/16-14 x 1-1/4 Hex Cap Screw G5	10	91147	2	3/4 Flat Washer
6	97772	4	M10 x 1.50 x 40 Hex Cap Screw G10.9	11	90353	2	7/6-14 Hex Locknut GB
7	91335	2	1/2-13 Hex Locknut GB	12	91104	10	7/16 Flat Washer
8	66449	4	3/4-10 x 2-3/4 Hex Cap Screw G5	13	90572	4	1/2 Hardened Flat Washer
9	91338	4	3/4-10 Hex Locknut GB Topring	14	91204	4	7/16 Spring Lock Washer
ns = not shown				G = Grade			

Copyright © 2008 Douglas Dynamics, L.L.C. All rights reserved. This material may not be reproduced or copied, in whole or in part, in any printed, mechanical, electronic, film or other distribution and storage media, without the written consent of Blizzard. Authorization to photocopy items for internal or personal use by Blizzard outlets or snowplow owner is granted.

Blizzard reserves the right under its product improvement policy to change construction or design details and furnish equipment when so altered without reference to illustrations or specifications used. Blizzard or the vehicle manufacturer may require or recommend optional equipment for snow removal. Do not exceed vehicle ratings with a snowplow. Blizzard offers a limited warranty for all snowplows and accessories. See separately printed page for this important information. The following is a registered (®) trademark of Douglas Dynamics, L.L.C.: BLIZZARD®.

Printed in U.S.A.