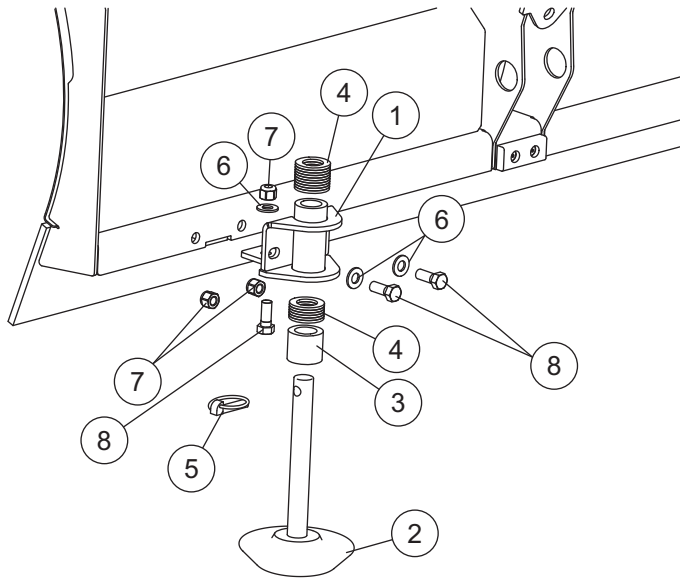


SHOE ASSEMBLY KIT

7600LT & 8000LT Snowplows

PARTS LIST



40501 Shoe Assembly Kit							
Item	Part	Qty	Description	Item	Part	Qty	Description
1	40477	1	Shoe Holder	4	91192	16	Flat Washer – Special
2	60217	1	Disc Shoe	5	93010	1	7/16 x 1-3/4 Linchpin
3	60045	1	Spacer	ns	40543	1	Bolt Bag – 40501
40543 Bolt Bag – 40501							
6	29243	3	1/2 Flat Washer Type A Narrow	8	90575	3	1/2-13 x 1-1/4 Hex Cap Screw G5
7	91335	3	Hex Locknut 1/2-13 GB Topping				
ns = not shown				G = Grade			

⚠ WARNING

Do not exceed GVWR or GAWR, including blade and ballast. The rating label is found on the driver-side vehicle door cornerpost.

⚠ CAUTION

Use standard methods and practices when attaching snowplow and installing accessories including proper personal protective safety equipment.

⚠ CAUTION

Read this document before installing the Shoe Assembly Kit.

⚠ CAUTION

See your sales outlet for specific vehicle application recommendations before installation. Shoe Assembly Kit weight information may be found in the Undercarriage Selection Guide.

40501

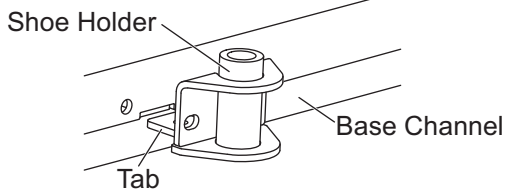
INSTALLATION INSTRUCTIONS

⚠ WARNING

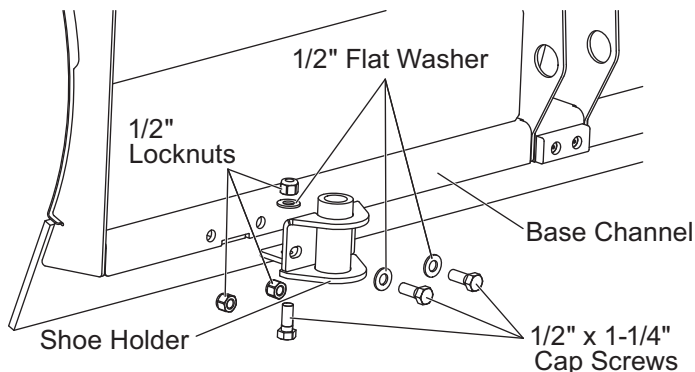
Raise and securely support blade with blocks or tip blade face down for installation.

NOTE: Please give these instructions to the customer.

1. Park the vehicle on a smooth, level, hard surface, such as concrete. Lower the blade to the ground, and turn the control to the "OFF" position. Disconnect the snowplow from the vehicle, or turn the vehicle ignition to the "OFF" position and remove the key.
2. Position the shoe holder to the blade base channel as shown below. Align the holes in the shoe bracket with the holes in the base channel, and the tab under the base channel.



3. Loosely assemble each shoe holder with 1/2" x 1-1/4" cap screws, 1/2" flat washer and 1/2" locknuts through the back of the bracket and

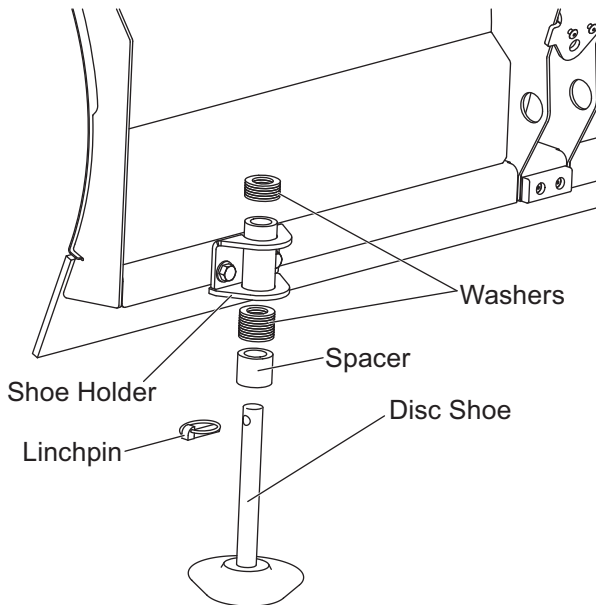


base channel, and one 1/2" x 1-1/4" cap screw, washer and locknut through the bottom hole in the holder and the base channel tab. Torque fasteners to 75 ft-lb.

DISC SHOE ADJUSTMENT

Changing the number of washers above or below the shoe holder adjusts cutting edge height and pressure.

Adjust disc shoes by placing the spacer and 10 washers on the bottom of the shoe holder and 6 washers on top. Final adjustment is made with the snowplow attached to the vehicle.



Copyright © 2008 Douglas Dynamics, L.L.C. All rights reserved. This material may not be reproduced or copied, in whole or in part, in any printed, mechanical, electronic, film or other distribution and storage media, without the written consent of Blizzard. Authorization to photocopy items for internal or personal use by the Blizzard outlets or snowplow owner is granted.

Blizzard reserves the right under its product improvement policy to change construction or design details and furnish equipment when so altered without reference to illustrations or specifications used. Blizzard or the vehicle manufacturer may require or recommend optional equipment for snow removal. Do not exceed vehicle ratings with a snowplow. Blizzard offers a limited warranty for all snowplows and accessories. See separately printed page for this important information. The following are registered (®) or unregistered (™) trademarks of Douglas Dynamics, L.L.C.: BLIZZARD®.

Printed in U.S.A.