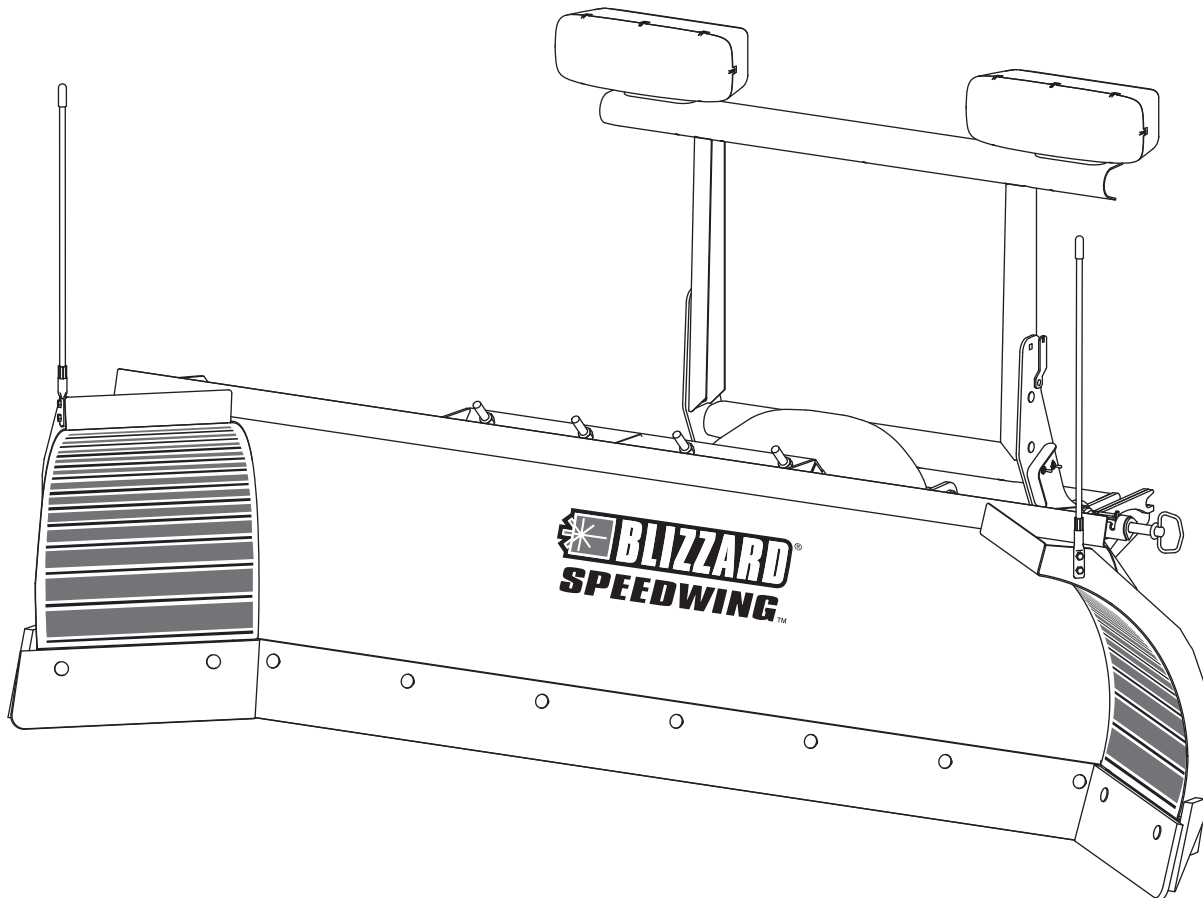


BLIZZARD® **SNOWPLOWS**

SPEEDWING™ Snowplow

8600SW Snowplow

Parts List



BLADE COMPONENTS 1

OFF-TRUCK COMPONENTS.....5

 Pivot Beam, Light Tower and A-Frame5

 Hydraulic Unit.....7

 Lift and Angle Rams9

 Hoses and Fittings9

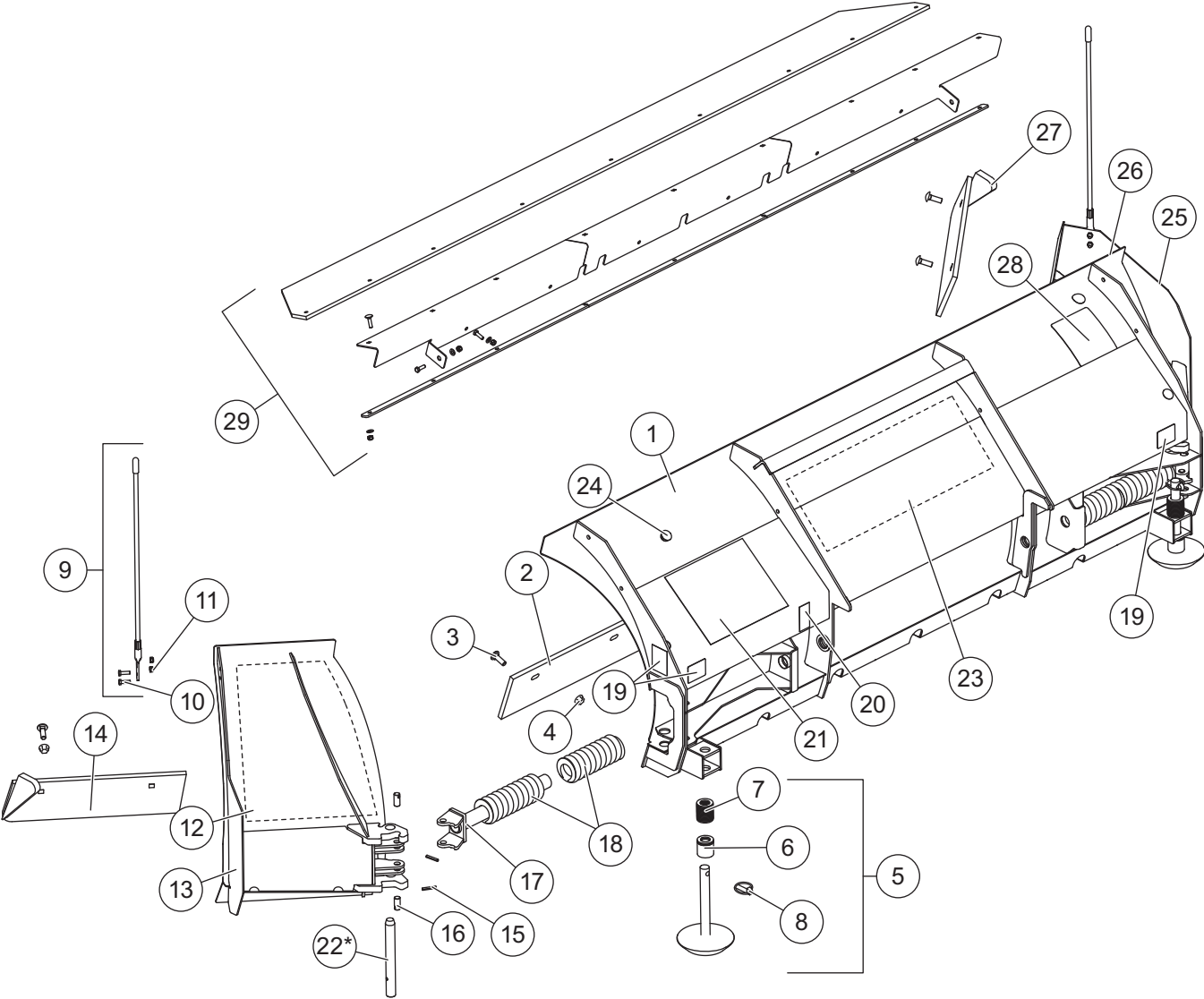
 Electrical Components.....10

 Vehicle-Side Wiring Diagram – 3-Port, 2-Plug Systems 11

 Headlamp Kit 12

8600SW

Blade Components

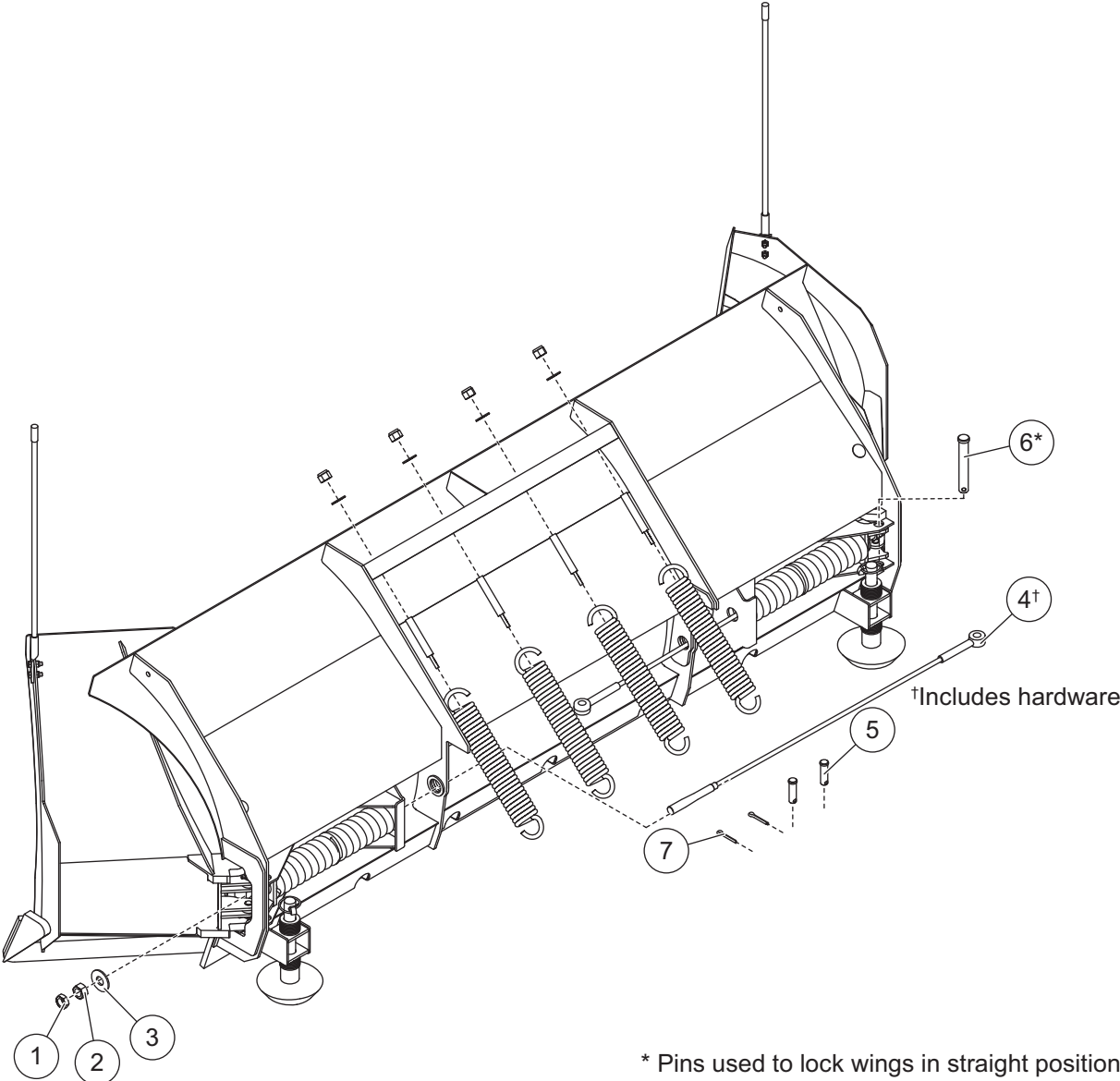


* Pin must be installed and/or replaced from the bottom.

48488 Moldboard Assembly			
Item	Part	Qty	Description
1	48487	1	Moldboard
2	B61570	1	Cutting Edge, Moldboard
3	B61196	11	1/2-13 x 1-1/2 Carriage Bolt G8
4	B61365	11	1/2-13 Flanged Locknut
5	49071	2	HD Plow Shoe Assy
6	60045	2	1-1/8 ID, 1-5/8 OD x 1-1/2 Spacer
7	91192	52	Flat Washer Special
8	93010	2	7/16 x 1-3/4 Linchpin
9	B61049	1	Plow Guide Assy
10	68494	4	5/16-18 x 1 Hex Cap Screw G5
11	91332	4	5/16-18 Hex Locknut GB Topring
12	96327	1	Wing Label – DS
13	B53062	1	Wing – DS
14	B61610	1	Cutting Edge, Wing – DS (T1)
15	B61341	6	Pin, Spring Ø.25 x 1.5
16	B61577	4	Pin, Wing Spring Mount
17	B53076	2	Guide, Wing Spring
18	B61569	4	Compression Spring
19	29593	4	Label – Multiple Pinch Points
20	29256	1	Label – Crush Hazard
21	49443	1	Label – POWER HITCH™ 2 Attach/Detach
22	B61572	2	Pin, Wing Mounting
23	B63175	1	Label, Center Moldboard (BLZ 1085)
24	B61614	2	Plug, Ø1.00 Finishing
25	B53075	1	Wing – PS
26	96328	1	Wing Label – PS
27	B61611	1	Cutting Edge, Wing – PS (T1)
28	59900	1	Label – Information (Warning)
29 [‡]	78219	1	Deflector Kit
		G = Grade	‡ = Accessory Only

8600SW

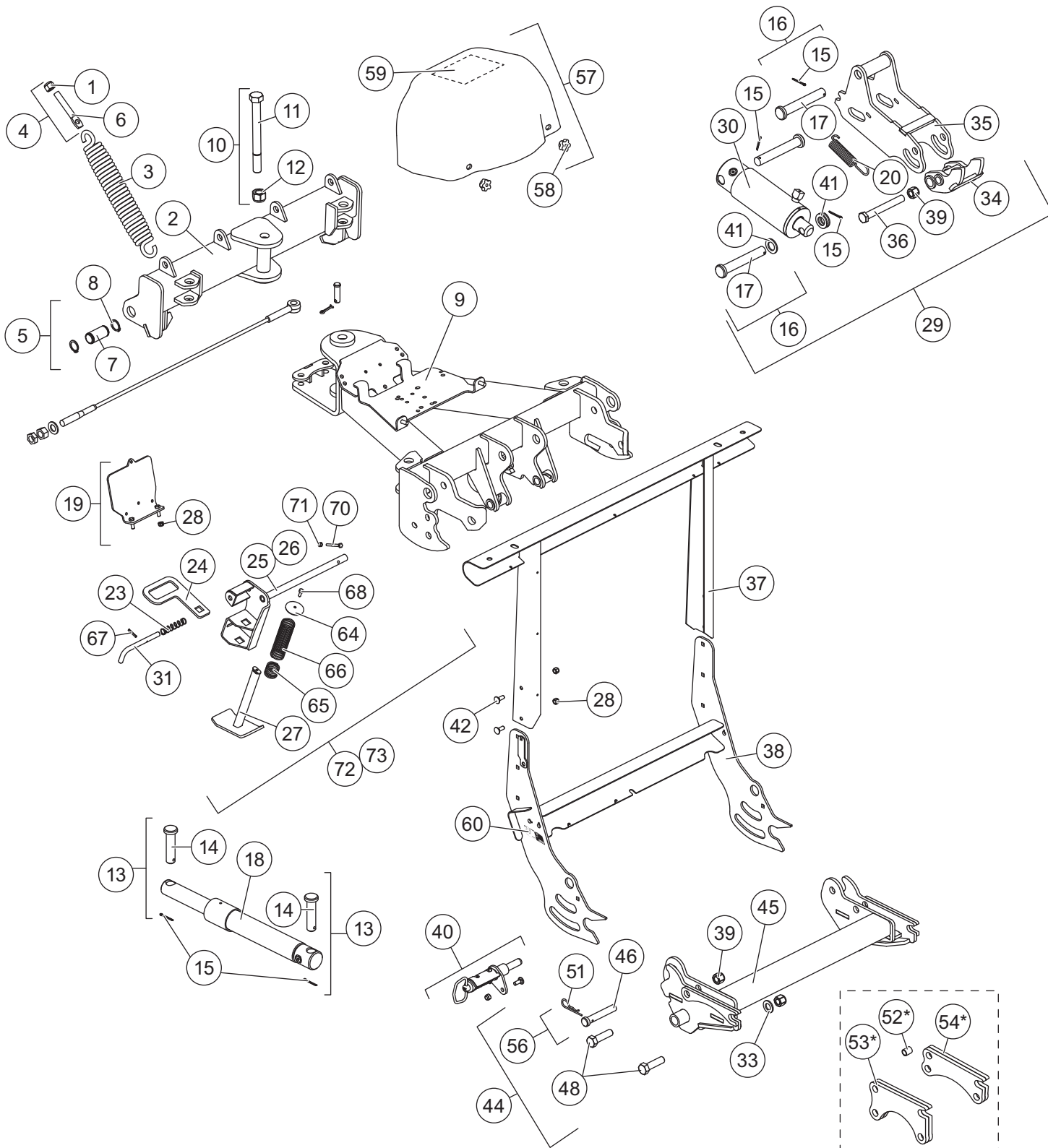
Blade Components



Blade Components			
Item	Part	Qty	Description
1	B61615	2	3/4-10 Hex Jam Nut
2	B61343	2	3/4-10 Hex Nut
3	B61576	2	3/4 USS Hardened Washer
4	40988	2	Cable Assembly w/Hardware 860SW (Incl. Items 1, 2, 3, 5 and 7)
5	B61563	2	Ø .625 x 2.33 Clevis Pin
6	95739	2	3/4 x 5.0 Clevis Pin
7	90601	2	1/4 x 1-1/2 Cotter Pin
8	B61105	2	9/64 x 2-11/16 Hairpin Cotter
SS = Stainless Steel			

8600SW

Pivot Beam, Light Tower and A-Frame Components



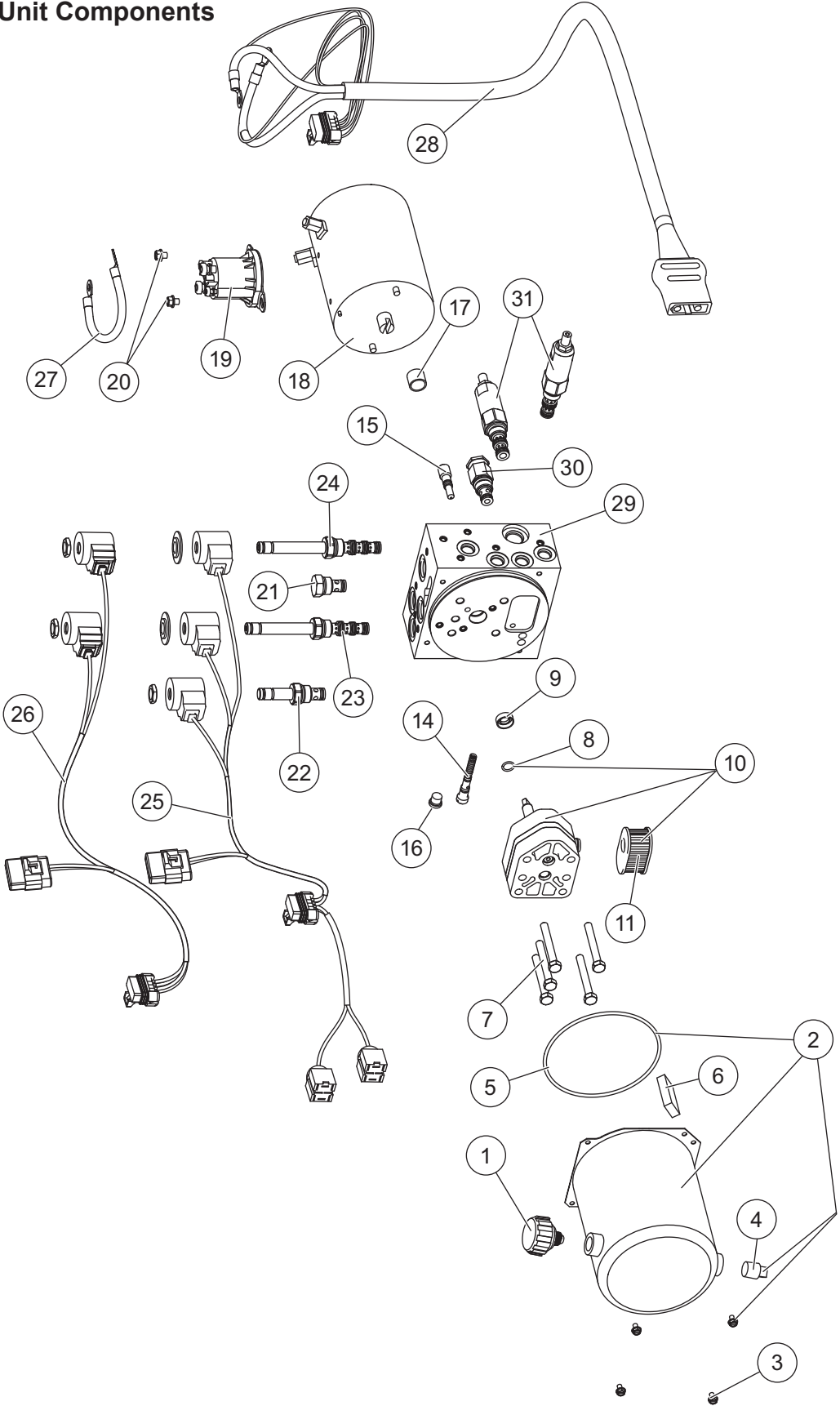
* Included in Undercarriage Kit only when necessary (determined by vehicle type and model).

Pivot Beam, Light Tower and A-Frame Components							
Item	Part	Qty	Description	Item	Part	Qty	Description
1	91337	4	5/8-11 Hex Locknut GB	18	41096	2	Ram Assembly 1-3/4 x 11-3/8
2	41138	1	Pivot Beam	19	40548	1	Module Mounting Plate Kit
3	23039	4	Trip Spring	28	91333	7	3/8-16 Hex Locknut GB
4	50655	4	Eyebolt Kit	29	41117	1	Draw Latch Assembly
5	41147	2	Pivot Bushing Kit	37	41124	1	Light Tower, Upper
6	90490	4	5/8-11 x 4 Eyebolt G2	38	41125	1	Light Tower, Lower
7	B16536	2	Bushing – Plow Pivot SW	39	91338	5	3/4-10 Hex Locknut GB
8	B61616	4	Retaining Ring HD	40	41129	2	Hitch Pin Kit
9	41236	1	A-Frame	42	90201	6	3/16-16 x 1 Carriage Bolt G5
10	41146	1	Pivot Bolt Kit	44	41237	1	Mount Adapter Assembly
11	66949	1	1-8 x 9 Hex Cap Screw G5 Special	52*	63212	2	Spacer
12	91340	1	1-8 Hex Locknut GB	53*	40514	2	Height Adjustment Plate – Tall
13	41122	4	Pin Kit	54*	40515	2	Height Adjustment Plate – Short
14	6816	4	1 x 4 Clevis Pin G5	56	40517	2	Receiver Hardware Kit
15	91911	7	5/32 x 1-1/2 Cotter Pin	57	48478	1	Cover Assembly
16	40547	3	Ram Pin Kit	60	48207	1	Label, POWER HITCH™ Switch ID
17	40458	3	1 x 6-1/2 Clevis Pin				
Item 72				41130 Stand Assembly – DS			
23	27461	1	Compression Spring	65	67636	1	Spring, Lock Stand
24	40635	1	Handle	66	67637	1	Spring, Return, Stand
25	40649	1	Stand – DS	67	67700	1	3/16 x 1-1/4 Pin, Roll
27	40651	1	Stand Shoe	68	90461	1	1/4-20 x 3/4 Hex Cap Screw G5
31	40662	1	Pin – Stand	70	41101	1	1/4-20 x 2-1/4 Hex Cap Screw G8
64	40674	1	Cap – Stand Plunger	71	67076	1	1/4-20 Hex Locknut GB
Item 73				41131 Stand Assembly – PS			
23	27461	1	Compression Spring	65	67636	1	Spring, Lock Stand
24	40635	1	Handle	66	67637	1	Spring, Return, Stand
26	40650	1	Stand – PS	67	67700	1	3/16 x 1-1/4 Pin, Roll
27	40651	1	Stand Shoe	68	90461	1	1/4-20 x 3/4 Hex Cap Screw G5
31	40662	1	Pin – Stand	70	41101	1	1/4-20 x 2-1/4 Hex Cap Screw G8
64	40674	1	Cap – Stand Plunger	71	67076	1	1/4-20 Hex Locknut GB
Item 29				41117 Draw Latch Assembly			
15	91911	3	5/32 x 1-1/2 Cotter Pin	35	41105	1	Draw Latch
17	40458	3	1 x 6-1/2 Clevis Pin	36	66451	1	3/4-10 x 6 Hex Cap Screw G5
20	40660	2	Spring	39	91338	1	3/4-10 Hex Locknut GB
30	41095	1	Ram Assembly 3-1/2 x 5-1/2	41	91192	3	Flat Washer Special
34	41104	1	Draw Latch Hook				
Item 44				41237 Mount Adapter Assembly			
33	91147	2	3/4 Flat Washer Narrow	46	40496	2	3/4 x 4-3/8 Clevis Pin
39	91338	4	3/4-10 Hex Locknut GB	48	66449	4	3/4-10 x 2-3/4 Hex Cap Screw G5
45		1	Mount Adapter	51	B61105	2	9/64 x 2-11/16 Hairpin Cotter
Item 57				48478 Cover Assembly			
		1	Cover	59	48421	1	Label, Information – BD SW
58	B61628	2	3/8-16 Clamping Knob				
G = Grade							

* The height adjustment plates are not included in the Crate Assembly Box, and are not required for all applications. When required, the correct plates are packaged and sold with the Undercarriage Kits.

8600SW

Hydraulic Unit Components



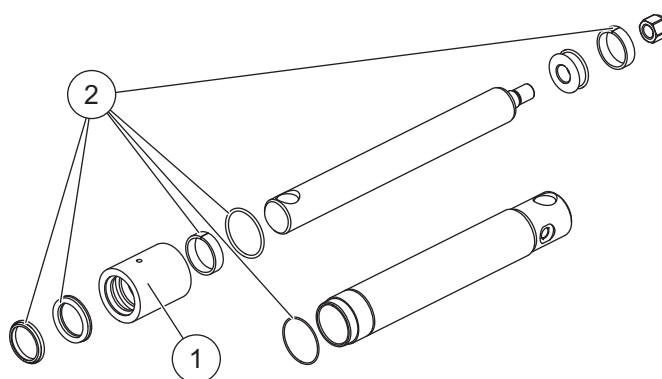
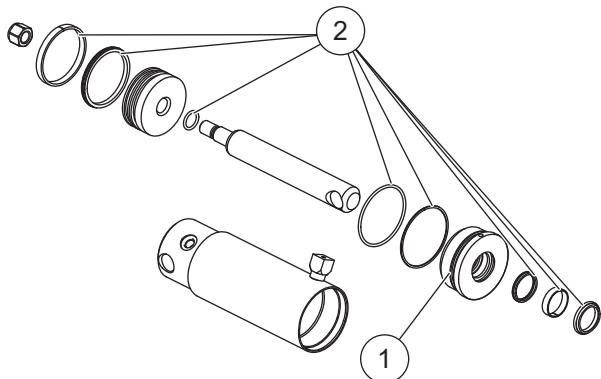
41140 Hydraulic Unit							
Item	Part	Qty	Description	Item	Part	Qty	Description
1	48278	1	Breather	19	B80051	1	Relay Kit
2	48279	1	Reservoir Kit	20	29099	2	1/4-20 x 1/4 Hex Washer-Head Thread-Rolling Screw
3	66607	4	10-24 x 5/16 Machine Screw	21	48287	1	Check Valve
4	92079	1	3/8 Plug NPTF Square	22	48288	1	Valve – 2-Way NC w/Rev Flow
5	66519	1	O-Ring – 2-250	23	48289	1	Valve – 4-Way, 3-Position
6	73897	1	Magnet	24	48291	1	Valve – 4-Way, 3-Position Closed Center
7	90080	5	5/16-18 x 2-1/2 Hex Cap Screw G5	25	29849	1	Plow Control Harness – 3 Coil
8	56274	1	O-Ring – 013	26	29851	1	Plow Control Harness – 2 Coil
9	66515	1	Pump Shaft Seal	27	29071	1	Cable Assembly 8"
ns	48302	1	Seal Repair Tool Kit w/Seal	28	48295	1	Plow Battery Cable
10	49487	1	Hydraulic Pump Kit	29	41139	1	Manifold Assembly w/o Valves
11	48281	1	Filter	30	41091	1	Relief Valve Kit
14	48283	1	Relief Valve – 1 Set	31	B60403	2	Counterbalance Valve Kit
15	48241	1	Stem Assembly Needle Valve	ns		3	Fuse – 5-Amp Mini Automotive Blade-Style (for Items 25 and 26)
16	44344	1	7/16-20 Socket O-Ring Boss Plug				
17*	56364	1	Bearing Sleeve				
ns	48284	1	Bearing Repair Tool Kit w/Bearing				
18	48285	1	Motor				
O-Ring Service Kits							
–	48301	–	O-Ring Kit	–	48310	–	Seal Kit – 2-Way Valves
–	48309	–	Seal Kit – 3-Way & 4-Way Valves				
Item 29	41139 Manifold Assembly w/o Valves						
3	66607	4	10-24 x 5/16 Machine Screw	14	48283	1	Relief Valve – 1 Set
5	66519	1	O-Ring – 2-250	15	48241	1	Stem Assembly Needle Valve
8	56274	1	O-Ring – 013	16	44344	1	7/16-20 Socket O-Ring Boss Plug
9	66515	1	Pump Shaft Seal	17*	56364	1	Bearing Sleeve
ns = not shown				G = Grade			

* Use 48284 tool to install.

Go to www.blizzardplows.com for hydraulic unit service information and specifications.

8600SW

Lift and Angle Ram Components

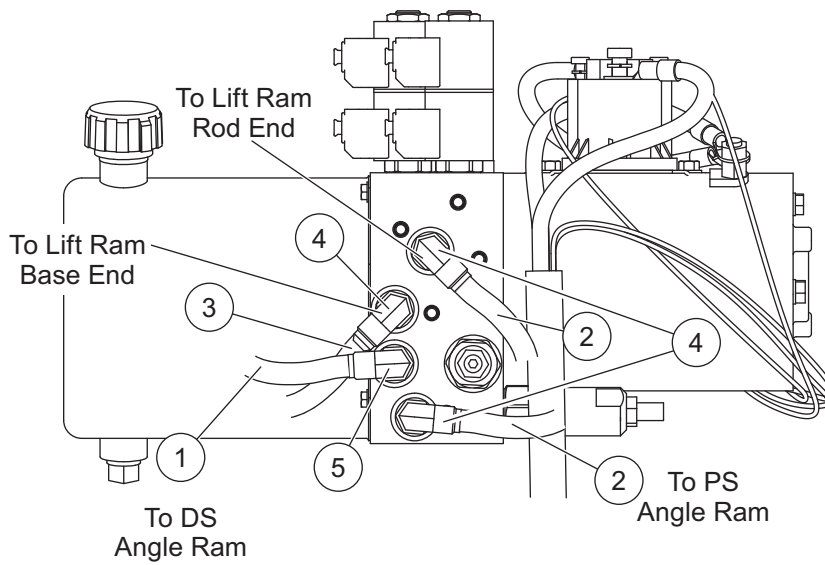
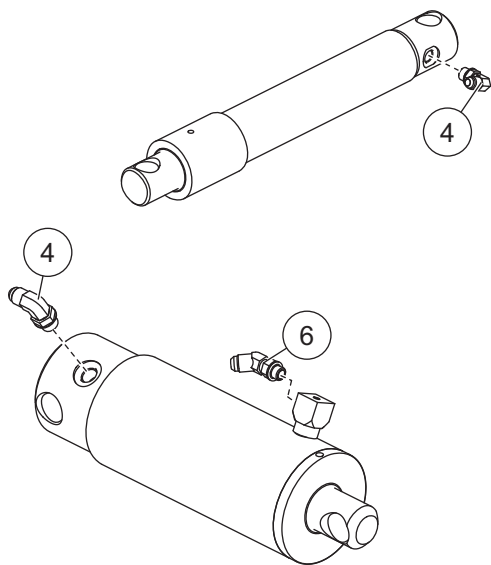


41095 Ram Assembly 3-1/2 x 5-1/2			
Item	Part	Qty	Description
1	48358	1	1-1/2 Gland
2	41098	1	Seal Kit 3-1/2" DA Ram

41096 Ram Assembly 1-3/4 x 11			
Item	Part	Qty	Description
1	50403	1	1-3/4 Gland
2	41097	1	1-3/4 Seal Kit

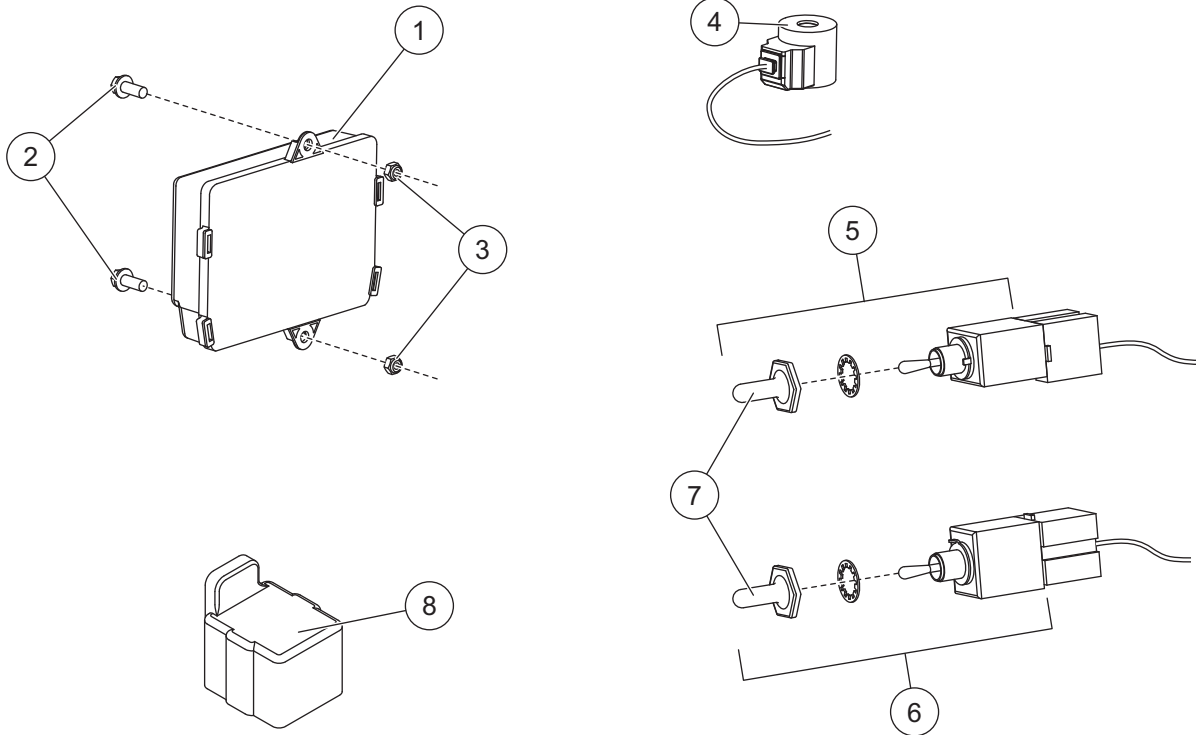
Go to www.blizzardplows.com for hydraulic unit service information and specifications.

Hoses and Fittings



Hoses and Fittings							
Item	Part	Qty	Description	Item	Part	Qty	Description
1	41094	1	1/4 x 18 Hose w/FJIC Ends	5	40572	1	Elbow 90° Extra Long – 6M O-Ring/MJIC
2	40570	2	1/4 x 22 Hose w/FJIC Ends	6	41093	1	Elbow 45° 9/16-18 x 7/16-20 ORB
3	40569	1	1/4 x 16 Hose w/FJIC Ends				
4	40571	6	Elbow 90° – 6M O-Ring/MJIC				
F = Female				M = Male or Metric			

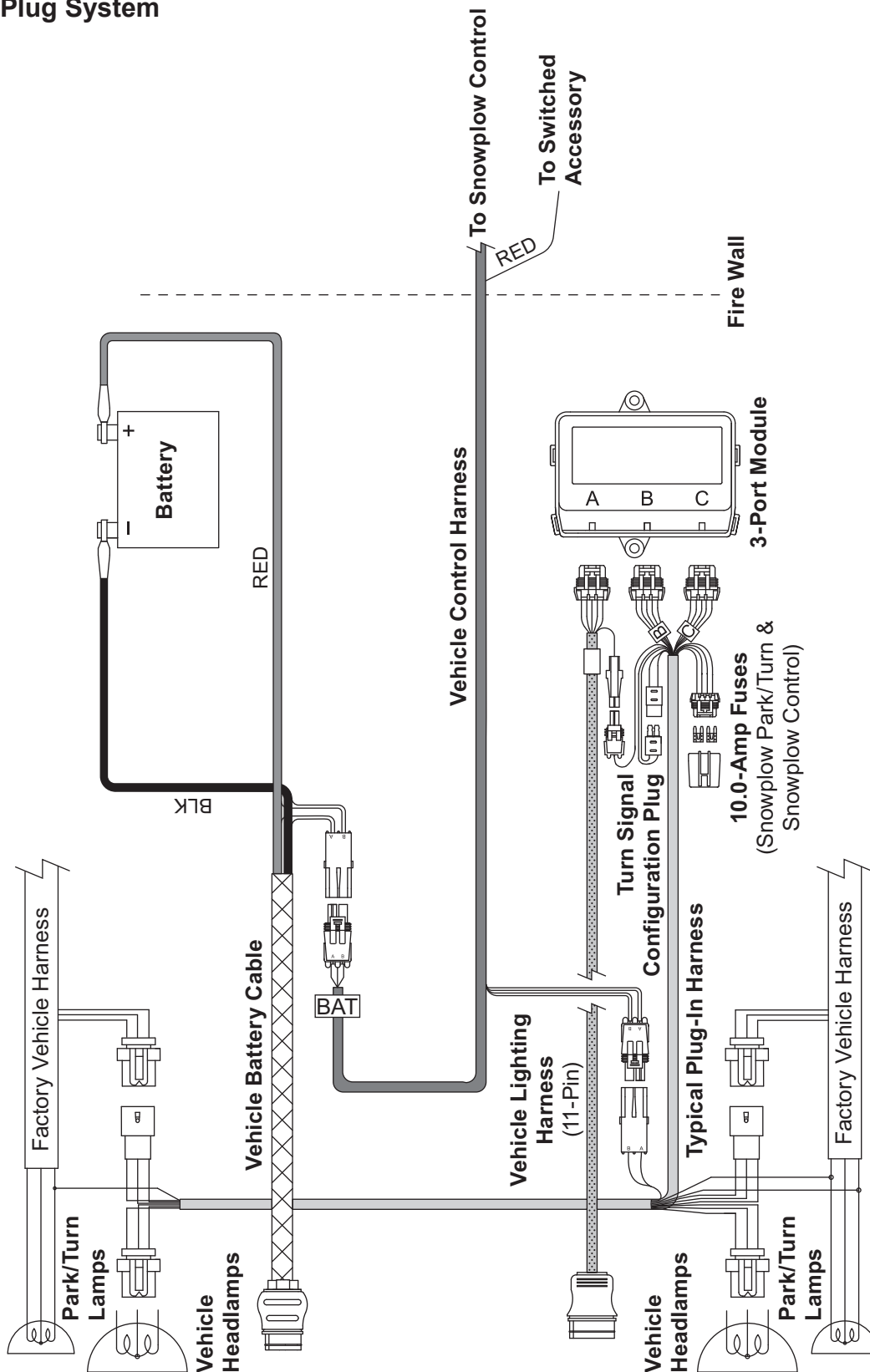
Electrical Components



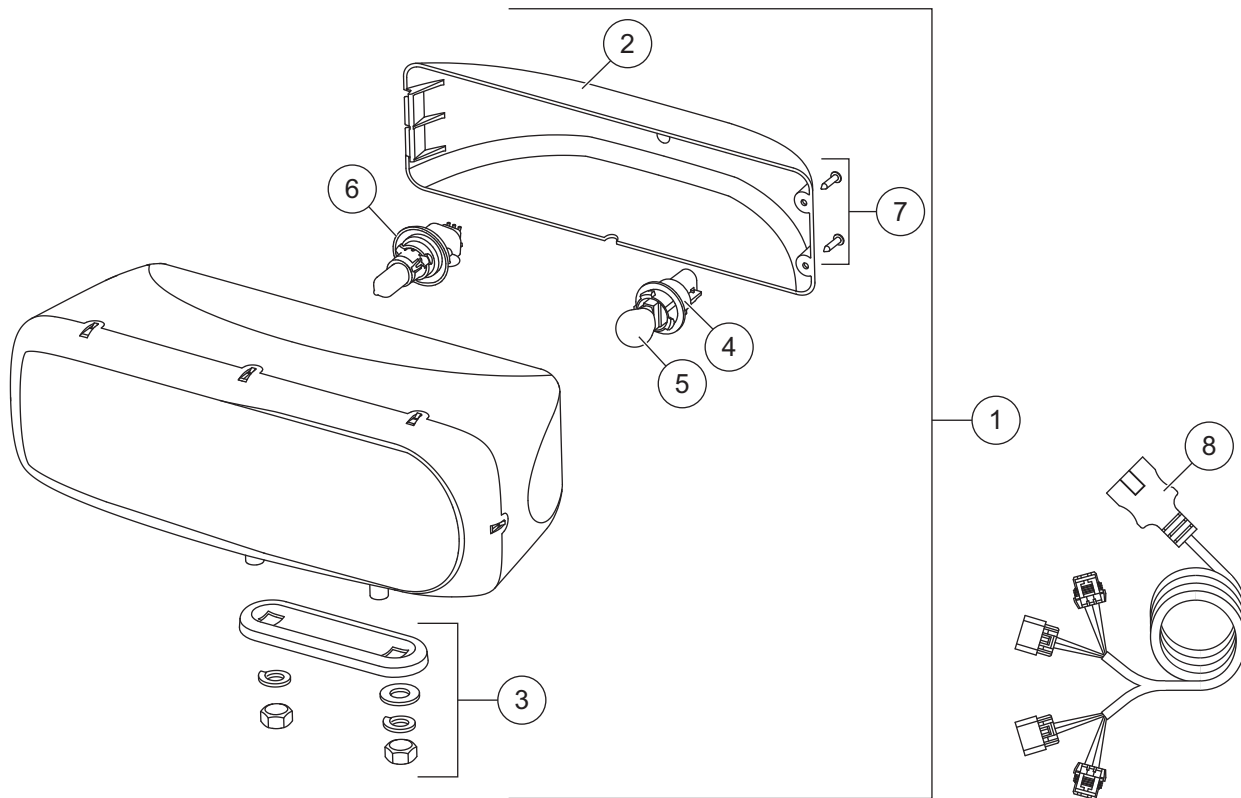
Plow-Side Electrical Components							
Item	Part	Qty	Description	Item	Part	Qty	Description
1	44354-3	1	Plow Module	6	40576	1	Switch, Toggle – MOM-ON, OFF, MOM-ON
2	44355	2	1/4-20 x 5/8 Hex Washer-Head Thread-Rolling Screw	7	48259	2	Boot, Switch
3	91331	2	1/4-20 Hex Locknut GB	8	61246	1	Cable Boot
4	48294	5	Coil w/Wire Leads				
5	40575	1	Switch, Toggle – MOM-ON, OFF, ON				
Vehicle-Side Electrical Components							
*	42014	1	Cable Assembly, Vehicle	ns	48325	2	Plug Cover
*	28587	1	Control Harness, Vehicle				
ns = not shown				G = Grade			

* For diagram see Vehicle-Side Harness Diagram

Vehicle-Side Harness Diagram
3-Port, 2-Plug System



Headlamp Kit



28800-1 Headlamp Kit (Pair)							
Item	Part	Qty	Description	Item	Part	Qty	Description
1	28801-1	1	Headlamp Service Kit, DS	5	2	2	Park/Turn Bulb (Trade No. 4157NAK)
ns	28802-1	1	Headlamp Service Kit, PS	6	28806	2	H13 Headlamp Bulb Service Kit
2	28803-1	2	Rear Cover Kit (fits 2 or 3 screw)	7	28808-1	2	Cover Screws Service Kit (3 screws)
3	28804	2	Mounting Hardware Kit	8	28213K	1	Harness Service Kit
4	28805	2	Park/Turn Socket Service Kit				

ns = not shown



Blizzard
PO Box 245038
Milwaukee, WI 53224-9538
www.blizzardplows.com

 A DIVISION OF DOUGLAS DYNAMICS, L.L.C.

Copyright © 2009 Douglas Dynamics, L.L.C. All rights reserved. This material may not be reproduced or copied, in whole or in part, in any printed, mechanical, electronic, film or other distribution and storage media, without the written consent of Blizzard. Authorization to photocopy items for internal or personal use by Blizzard outlets or snowplow owner is granted.

Blizzard reserves the right under its product improvement policy to change construction or design details and furnish equipment when so altered without reference to illustrations or specifications used. Blizzard or the vehicle manufacturer may require or recommend optional equipment for snow removal. Do not exceed vehicle ratings with a snowplow. Blizzard offers a limited warranty for all snowplows and accessories. See separately printed page for this important information. The following are registered (®) or unregistered (™) trademarks of Douglas Dynamics, L.L.C.: BLIZZARD®, POWER HITCH™, POWER HITCH™ 2, SPEEDWING™.

Printed in U.S.A.