

# **BLIZZARD**<sup>®</sup> **SNOWPLOWS**

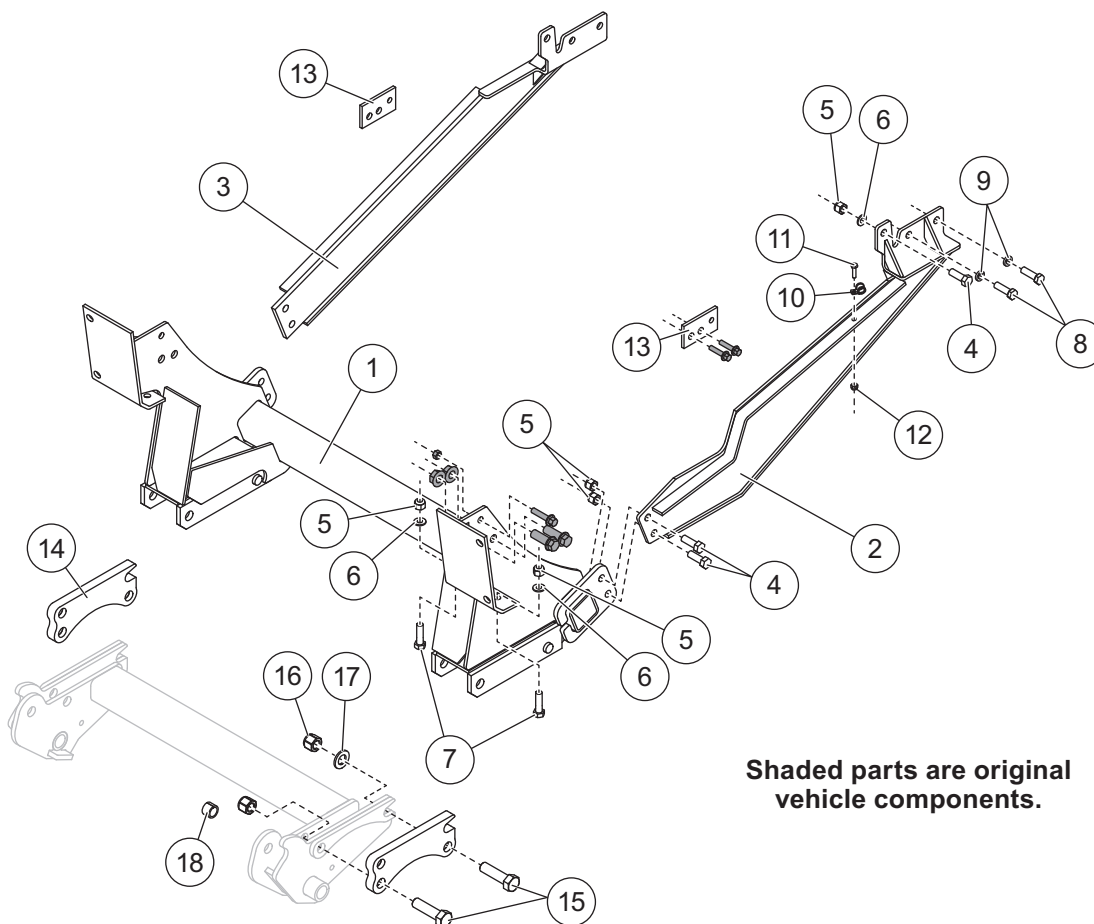
## 33210

### UNDERCARRIAGE KIT

Mitsubishi FG

2005 - 11

#### Parts List



33210

33210 Mitsubishi Undercarriage Kit							
Item	Part	Qty	Description	Item	Part	Qty	Description
1	28695	1	Main Mount – Mitsubishi	13	28783	2	Spacer
2	28697	1	Thrust Arm, DS	14	40539	2	Adapter Plate, Short
3	28698	1	Thrust Arm, PS	ns	41157	1	Bolt Bag – 33210
41157 Bolt Bag – 33210							
4		6	1/2-13 x 1-1/2 Hex Cap Screw G8	11		1	1/4-20 x 3/4 Hex Cap Screw G5
5		10	1/2-13 Hex Locknut GB	12		1	1/4-20 Hex Locknut GB
6		6	1/2 Flat Washer	15		4	3/4-10 x 2-3/4 Hex Cap Screw G5
7		4	1/2-13 x 1 Hex Cap Screw G5	16		4	3/4-10 Hex Locknut
8		4	M12-1.25 x 30 Hex Cap Screw G8.8	17		2	3/4 Flat Washer
9		4	M12 Spring Lock Washer	18		2	Spacer
10		1	Clamp Loop #10				
ns = not shown			G = Grade			M = Metric	

Copyright © 2012 Douglas Dynamics, L.L.C. All rights reserved. This material may not be reproduced or copied, in whole or in part, in any printed, mechanical, electronic, film or other distribution and storage media, without the written consent of Blizzard. Authorization to photocopy items for internal or personal use by the Blizzard outlets or snowplow owner is granted.

Blizzard reserves the right under its product improvement policy to change construction or design details and furnish equipment when so altered without reference to illustrations or specifications used. Blizzard or the vehicle manufacturer may require or recommend optional equipment for snow removal. Do not exceed vehicle ratings with a snowplow. Blizzard offers a limited warranty for all snowplows and accessories. See separately printed page for this important information. The following are registered (®) or unregistered (™) trademarks of Douglas Dynamics, L.L.C.: BLIZZARD®.

Printed in U.S.A.