



Fisher Engineering

P.O. Box 529 Rockland, Maine 04841
www.fisherplows.com

May 1, 2006
Lit. No. 42001, Rev. 01

Minute² Mount[®]

SYSTEM

MOUNT KIT

Ford F-250 w-w/o Sway Bar

1987 - 91

Ford F-350

1987 - 91

Installation Instructions

⚠ CAUTION

Read this document before installing the snowplow.

⚠ CAUTION

See your FISHER[®] outlet for specific vehicle application recommendations before installation. The Kit Selection Guide has specific vehicle and snowplow requirements.

SAFETY DEFINITIONS

⚠ WARNING
 Indicates a potentially hazardous situation that, if not avoided, could result in death or serious personal injury.

⚠ CAUTION
 Indicates a potentially hazardous situation that, if not avoided, may result in minor or moderate injury. It may also be used to alert against unsafe practices.

NOTE: Indicates a situation or action that can lead to damage to your snowplow and vehicle or other property. Other useful information can also be described.

⚠ WARNING
 Keep hands and feet clear of the blade and A-frame when mounting or removing the snowplow. Moving or falling assemblies could cause personal injury.

⚠ WARNING
 Do not exceed GVWR or GAWR including blade and ballast. The rating label is found on driver-side vehicle door cornerpost.

⚠ CAUTION
 Refer to the Kit Selection Guide for minimum vehicle recommendations and ballast requirements.

⚠ CAUTION
 To prevent accidental movement of the blade, always turn the ON/OFF switch to OFF whenever the snowplow is not in use. The control indicator light will turn off.

SAFETY PRECAUTIONS

Improper installation and operation could cause personal injury, and/or equipment and property damage. Read and understand labels and the Owner's Manual before installing, operating, or making adjustments.

⚠ WARNING
 Lower blade when vehicle is parked. Temperature changes could change hydraulic pressure, causing the blade to drop unexpectedly or damaging hydraulic components. Failure to do this can result in serious personal injury.

⚠ WARNING
 Remove blade assembly before placing vehicle on hoist.

⚠ WARNING
 The driver shall keep bystanders clear of the blade when it is being raised, lowered or angled. Do not stand between the vehicle and the blade or within 8 feet of a moving blade. A moving or falling blade could cause personal injury.

PERSONAL SAFETY

- Remove ignition key and put the vehicle in park or in gear to prevent others from starting the vehicle during installation or service
- Wear only snug-fitting clothing while working on your vehicle or snowplow.
- Do not wear jewelry or a necktie, and secure long hair.
- Wear safety goggles to protect your eyes from battery acid, gasoline, dirt and dust.
- Avoid touching hot surfaces such as the engine, radiator, hoses and exhaust pipes.
- Always have a fire extinguisher rated BC handy, for flammable liquids and electrical fires.

FIRE AND EXPLOSION

⚠ WARNING

Gasoline is highly flammable and gasoline vapor is explosive. Never smoke while working on a vehicle. Keep all open flames away from gasoline tanks and lines. Wipe up any spilled gasoline immediately.

Be careful when using gasoline. Do not use gasoline to clean parts. Store only in approved containers away from sources of heat or flame.

VENTILATION




⚠ WARNING

Vehicle exhaust contains lethal fumes. Breathing these fumes, even in low concentrations, can cause death. Never operate a vehicle in an enclosed area without venting exhaust to the outside.

TORQUE CHART

⚠ CAUTION

Read instructions before assembling. Fasteners should be finger tight until instructed to tighten according to the torque chart. Use standard methods and practices when attaching snowplow including proper personal protective safety equipment.

Recommended Fastener Torque Chart (Ft.-Lb.)			
Size	 SAE Grade 2	 SAE Grade 5	 SAE Grade 8
1/4-20	6	9	13
5/16-18	11	18	28
3/8-16	19	31	46
3/8-24	24	46	68
7/16-14	30	50	75
1/2-13	45	75	115
9/16-12	66	110	165
5/8-11	93	150	225
3/4-10	150	250	370
7/8-9	150	378	591
1-8	220	583	893

Metric Grade 8.8 (Ft.-Lb.)			
Size	Torque	Size	Torque
M 6	7	M 12	60
M 8	17	M 14	95
M 10	35	M 16	155

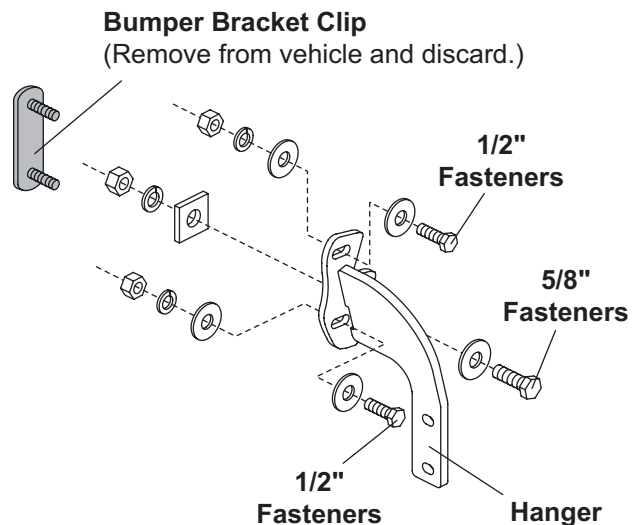
These torque values apply to fasteners except those noted in the instruction.

INSTALLATION INSTRUCTIONS

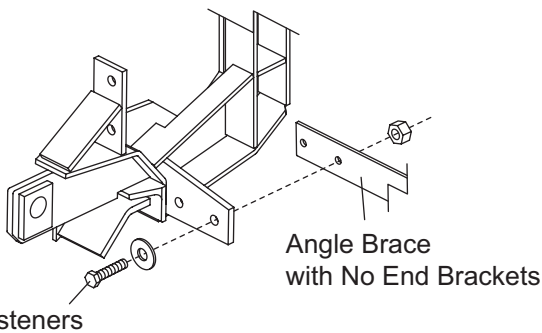
NOTE: For easier assembly and installation, vehicle and all snowplow components should be on a smooth, level, hard surface, such as concrete.

1. Remove and save the fasteners holding the shock towers.
2. Remove the strip holding the bumper bracket to frame on the driver side. Discard clip. Install the driver-side hanger by installing two 1/2" x 2" cap screws with 1/2" flat washers through the slotted holes in the driver-side hanger and out through the frame and bumper bracket. Secure the hanger and bumper to the frame with two 1/2" flat washers, lock washers and nuts. Align the remaining hole in hanger with hole in frame. Install a 5/8" x 2" cap screw and flat washer through the hanger and frame. Secure with a square washer

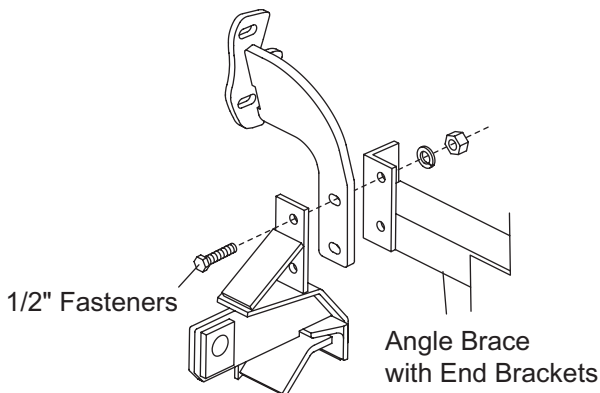
between the rivets, 5/8" lock washer and nut. **Do not tighten any fasteners at this time.** Repeat the same on passenger side.



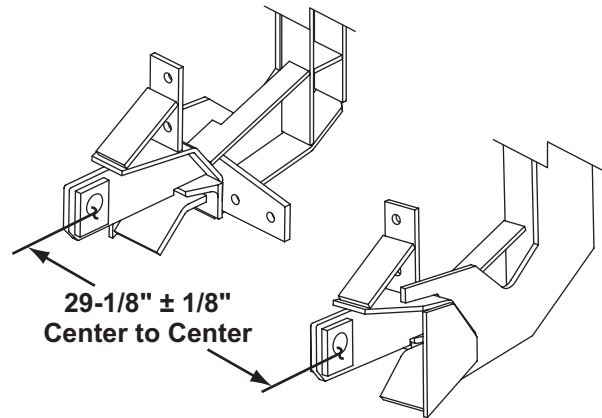
- Jack the rear hanger of the driver-side leaf spring so the spring is fully unloaded. Install the rear of the driver-side pushplate between the spring and the frame. Place a 3/4" x 2" cap screw and flat washer out through the slotted hole in frame and the rear of the pushplate. Secure with a 3/4" lock washer and nut. **Do not tighten any fasteners at this time.** Repeat same with passenger-side pushplate.
- Place the angle brace with no end brackets on the rear of the pushplate tabs as shown. Fasten with four 3/8" x 1" cap screws, flat washers and locknuts.



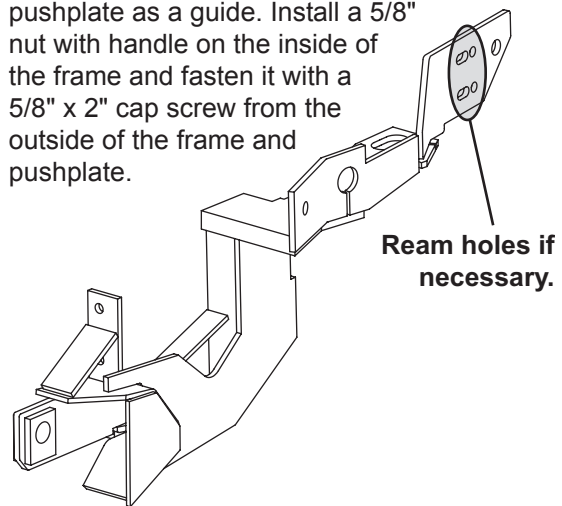
- Lift the front tab on the pushplates in front of the holes on the hangers. Place the angle brace with end brackets on the back side of the holes in the hangers. Install four 1/2" x 2" cap screws through the holes in the pushplate tabs, the hanger slots, and the angle brace holes. Fasten with lock washers and nuts. **Do not tighten fasteners at this time.**



- Check the inside to outside dimension between the connecting pin arms. This measurement should be 29-1/8" +/- 1/8". Once checked, tighten fasteners in the angles. Then use a floor jack to lift plates up against frame. Align the bumper and tighten the bumper/hanger cap screws on each side of the vehicle. **Tighten remaining fasteners.**



- Reinstall the previously removed shock tower fasteners and tighten. Ream the pushplate and frame with a 1/2" drill bit for the shock tower, if necessary. Drill a 5/8" hole through the frame using the front most hole on the rear part of the pushplate as a guide. Install a 5/8" nut with handle on the inside of the frame and fasten it with a 5/8" x 2" cap screw from the outside of the frame and pushplate.



NOTE: After five to ten hours of snowplow usage, retorque all pushplate assembly fasteners.

Fisher Engineering reserves the right under its product improvement policy to change construction or design details and furnish equipment when so altered without reference to illustrations or specifications used. Fisher Engineering or the vehicle manufacturer may require or recommend optional equipment for snow removal. Do not exceed vehicle ratings with a snowplow. Fisher Engineering offers a limited warranty for all snowplows and accessories. See separately printed page for this important information. The following are registered (®) trademarks of Douglas Dynamics, L.L.C.: FISHER®, Minute Mount® 2.