



PRODIGY™ Snowplow

Blade Assembly 57700

H,A,Q&L Center Assembly 57800

H,A,Q&L Central Hydraulics 57810

Parts List

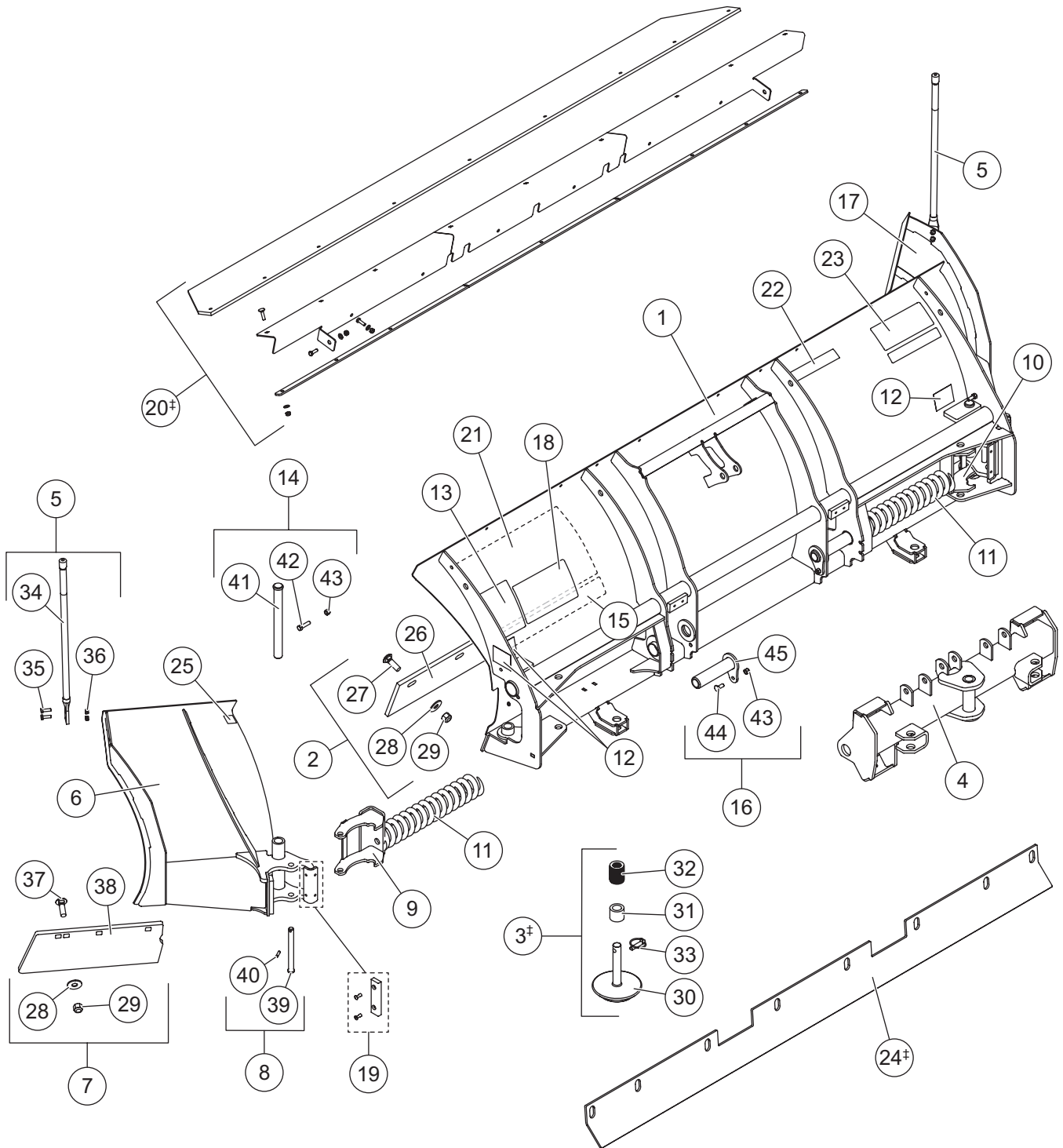


www.storksplows.com
TABLE OF CONTENTS

PRODIGY™ BLADE 4
 Moldboard Assembly 4
 Blade Components 6

PRODIGY HYDRAULIC, A-FRAME, QUADRANT & LIFT FRAME (H,A,Q&L) CENTER ASSEMBLY 8
 Lift Frame and A-Frame Components 8
 Hydraulic Unit Components 10
 Hydraulic Unit Cover Assembly 12
 Lift and Angle Ram Components 13
 Hoses and Fittings 13
 Electrical Components 14
 Vehicle-Side Wiring Diagram, 3-Port, 2-Plug System 15
 Headlamp Kit 16

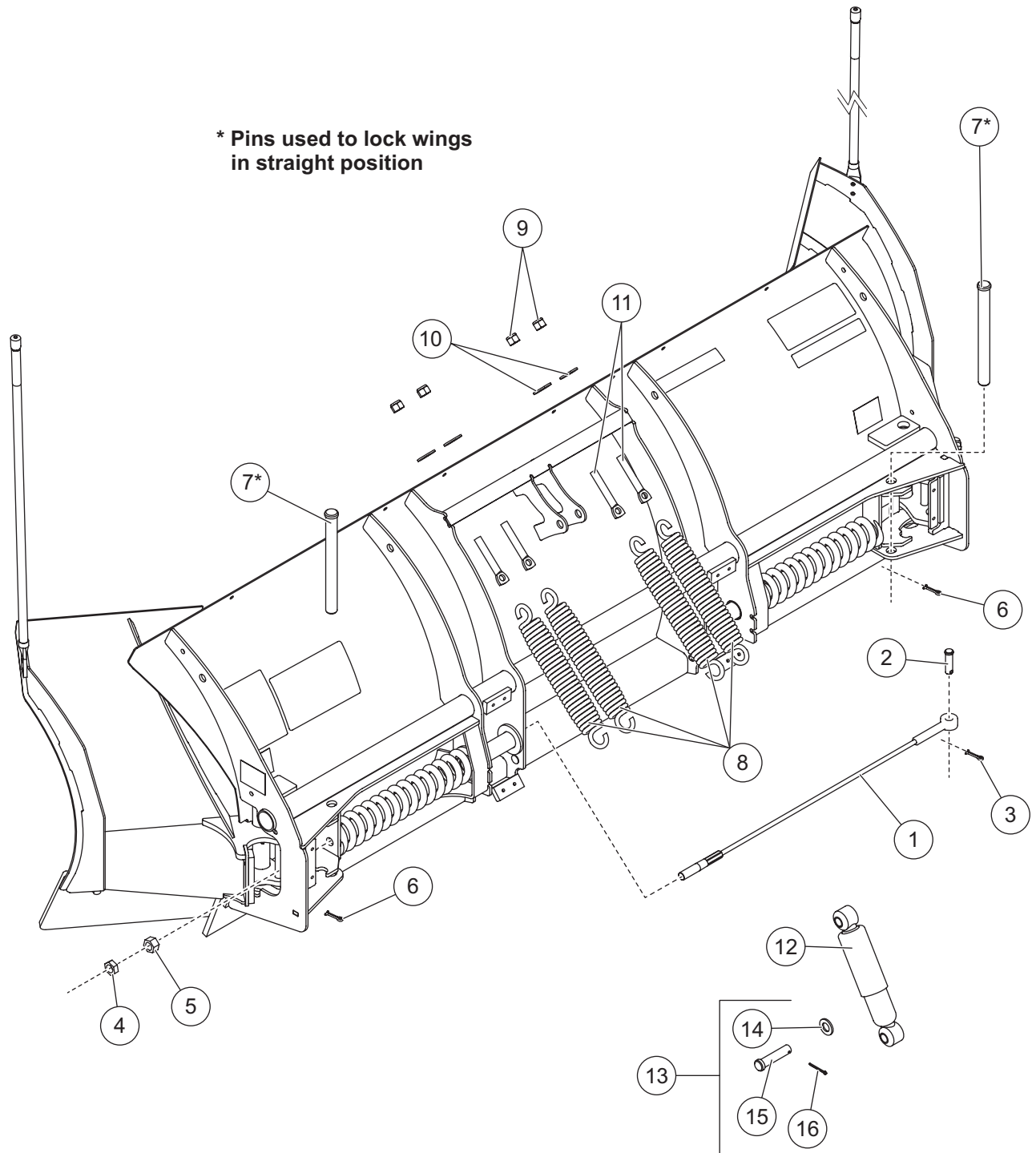
Moldboard Assembly



www.storksplows.com
PRODIGY™ BLADE 57700

49766 PRODIGY Moldboard Assembly							
Item	Part	Qty	Description	Item	Part	Qty	Description
1	41750	1	Moldboard (w/labels)	14	42396	2	Hinge Pin Kit
2	49799	1	Moldboard Cutting Edge Kit	15	43175	1	Label – Identity, PRODIGY™
3‡	49853	1	HD Plow Shoe Assembly Kit	16	42531	2	Pivot Bushing Kit
4	49769	1	Quadrant	17	41752	1	Wing – PS
5	62595	1	Blade Guide Assembly (DS and PS)	18	43360	1	Label – UltraMount® 2 Attach/ Detach
6	41751	1	Wing – DS	19	42395	4	Bumper Kit
7	42383	1	Wing Cutting Edge Kit (DS and PS)	20‡	42384	1	Deflector Kit
8	42397	2	Spring Guide Pin Kit	21	40986	1	Label – CONTRACTOR GRADE®, Moldboard
9	42392	1	Spring Guide – DS	22	28404	1	Label – ULTRAFINISH™
10	42393	1	Spring Guide – PS	23	44451	1	Label – Identity, WESTERN®
11	42725	2	Compression Spring	24‡	42437	1	Back Drag Edge
12	29593	4	Label – Multiple Pinch Points	25	43528	2	Wear Strip – Wing Top
13	59900	1	Label – Warning/Caution, Snowplows				
Item 2 49799 Moldboard Cutting Edge Kit							
26		1	Blade Cutting Edge	28		8	5/8 Hardened Flat Washer
27		8	5/8-11 x 2-1/2 Carriage Bolt G5	29		8	5/8-11 Hex Locknut GB
Item 3 49853 HD Plow Shoe Assembly							
30		2	HD Plow Shoe	32		34	Flat Washer, Special
31		2	1-1/8 ID, 1-5/8 OD x 1-1/2 Spacer	33		2	7/16 x 1-3/4 Linchpin
Item 5 62595 Blade Guide Assembly (DS and PS)							
34		2	Blade Guide Poly 24" w/Label	36		4	5/16-18 Hex Locknut GB
35		4	5/16-18 x 1 Hex Cap Screw G5				
Item 7 42383 Wing Cutting Edge Kit (DS and PS)							
28		6	5/8 Hardened Flat Washer	37		6	5/8-11 x 2 Carriage Bolt G5
29		6	5/8-11 Hex Locknut GB	38		2	Wing Cutting Edge
Item 8 42397 Spring Guide Pin Kit							
39		2	Wing Lock Pin	40		2	1/4 x 1 Coiled Spring Pin
Item 14 42396 Hinge Pin Kit							
41		1	Hinge Pin	43		1	3/8-16 Hex Locknut GB
42		1	3/8-16 x 1-1/2 Hex Cap Screw G5				
Item 16 42531 Pivot Bushing Kit							
43		1	3/8-16 Hex Locknut GB	45		1	Pivot Bushing
44		1	3/8-16 x 1 Carriage Bolt G5				
			ns = not shown				‡ = Accessory Only
							G = Grade

Blade Components



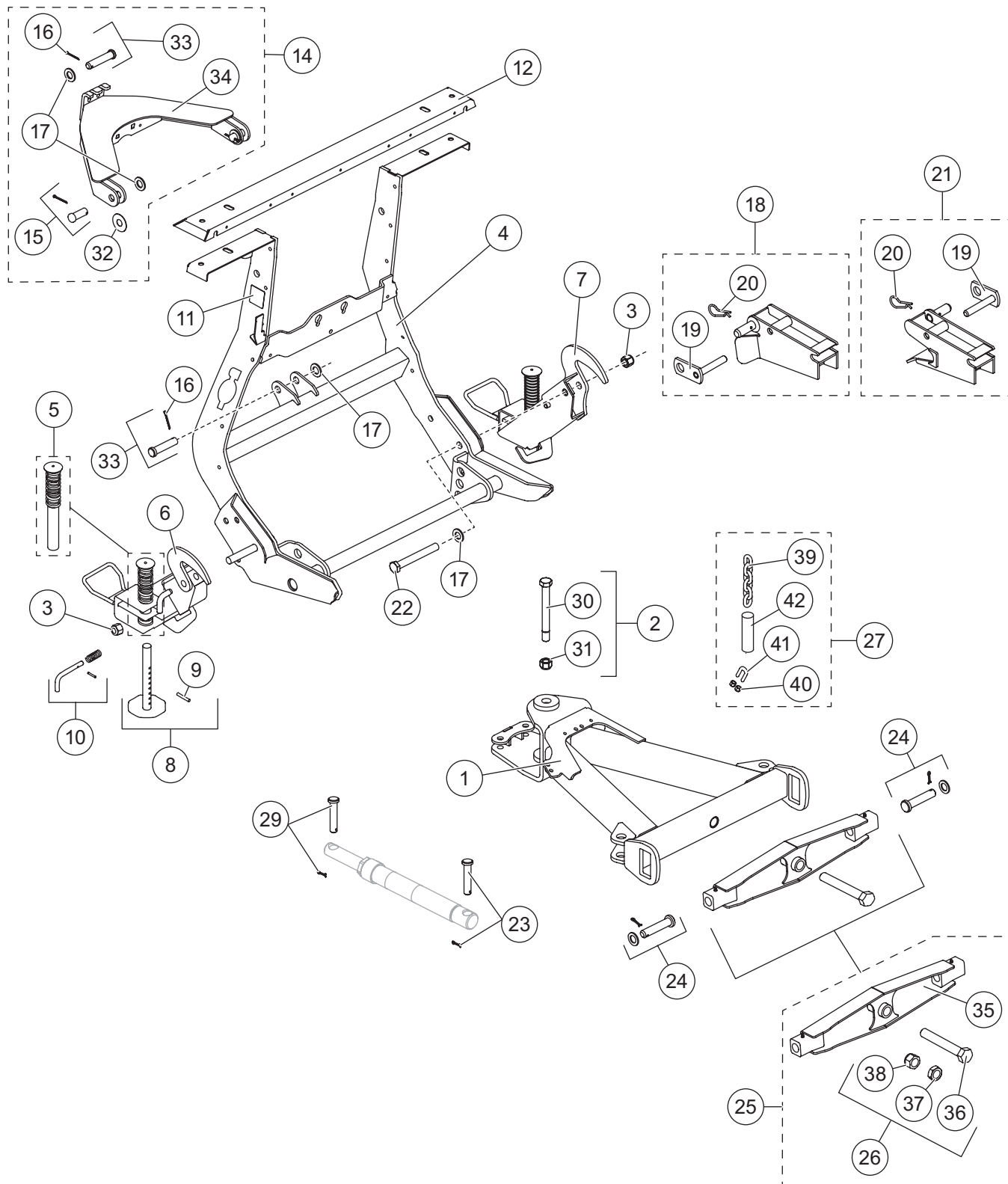
www.storksplows.com
PRODIGY™ BLADE 57700

PRODIGY Blade Components							
Item	Part	Qty	Description	Item	Part	Qty	Description
1	42389	2	Cable Assembly w/Hardware (incl. items 2, 3, 4 and 5)	9	91416	4	5/8-11 Hex Nut G5
2	B61563	2	0.625 x 2.33 Clevis Pin	10	90576	4	5/8 Hardened Flat Washer
3	90601	2	1/4 x 1-1/2 Cotter Pin	11	90490	4	5/8-11 x 4 Eyebolt G2
4	B61615	2	3/4-10 Hex Jam Nut	12 [‡]	63979	1	Shock Absorber
5	B61343	2	3/4-10 Hex Nut	13 [‡]	93063K	2	Shock Absorber Hardware Kit
6	91962	2	1/8 Hairpin Cotter	14		2	3/4" Flat Washer
7	42738	2	3/4 x 9 Clevis Pin	15		2	3/4 x 4 Clevis Pin
8	23039	4	Trip Spring	16		2	5/32 x 1-1/2 Cotter Pin

‡ = Accessory Only

PRODIGY™ H,L&T CENTER ASSEMBLY 57800/57810(CH)

Lift Frame and A-Frame Components



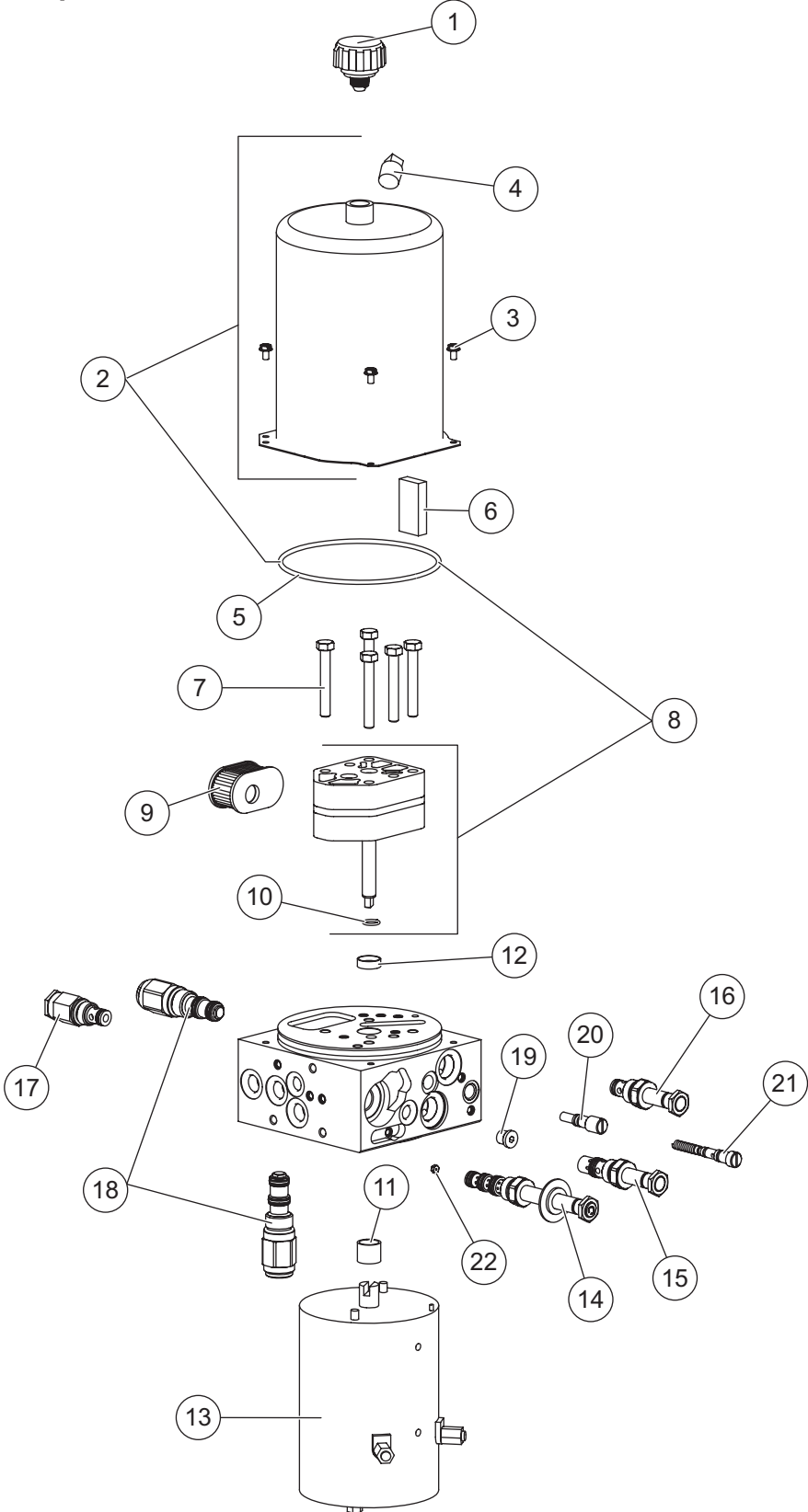
PRODIGY™ H,L&T CENTER ASSEMBLY 57800/57810(CH)

PRODIGY Lift Frame and A-Frame Components							
Item	Part	Qty	Description	Item	Part	Qty	Description
1	49767	1	A-Frame	16	91911K	1	5/32 x 1-1/2 Cotter Pin Kit (pkg of 4)
2	49768	1	Pivot Bolt Kit	17	91147	6	3/4 Flat Washer
3	91338	2	3/4-10 Hex Locknut GB	18	42496	1	Receiver Kit – DS
4	43301	1	Lift Frame	19	42498	2	Receiver Pin
5	48523	1	Plunger w/Spring	20	91965K-1	2	5/32 Hairpin Cotter
6	67845	1	Stand Assembly – DS	21	42497	1	Receiver Kit – PS
7	67846	1	Stand Assembly – PS	22	66451	2	3/4-10 x 6 Hex Cap Screw G5
8	67847	2	Stand Shoe Kit	23	50672	2	Pin Kit
9	67635	2	1/4 x 2 Roll Pin BP	24	49645	2	1 x 4-3/4 Clevis Pin Kit
10	67844	2	Stand Lock Pin Kit	25	67842-1	1	Pivot Bar Kit
11†	69689	1	Label – SECURITY GUARD™	26	67855	1	Pivot Bolt Kit
12	43302	1	Light Channel	27	49033	2	1/4 Grade 43 Chain Assembly
14	43304	1	Lift Arm Kit	29	50674	2	Pin Kit
15	43351	2	3/4 x 2 Pin Kit				
Item 2				49768 Pivot Bolt Kit			
30	66949	1	1-8 x 9 Hex Cap Screw G5 Special	31	91340	1	1-8 Hex locknut GB
Item 14				43304 Lift Arm Kit			
15	43351	2	3/4 x 2 Pin Kit	32		2	Round Flat Washer, Special
16	91911K	1	5/32 x 1-1/2 Cotter Pin Kit (pkg of 4)	33	68740	1	3/4 x 3-1/2 Clevis Pin Kit
17	91147	3	3/4 Flat Washer	34		1	Lift Arm
Item 25				67842-1 Pivot Bar Kit			
35		1	Pivot Bar	26	67855	1	Pivot Bolt Kit
Item 26				67855 Pivot Bolt Kit			
36		1	1-8 x 7 Hex Cap Screw G5	38		1	1-8 Hex Locknut GB
37		1	1-8 Hex Jam Nut G5				
Item 27				49033 1/4 Grade 43 Chain Assembly (2 per plow)			
39		1	1/4 x 42 Grade 43 Chain	41		1	3/8-16 x 1-1/2 U-Bolt G5
40		2	3/8-16 Hex Locknut GB	42		1	Plastic Tube
ns = not shown				G = Grade			

† Not used for Central Hydraulics.

PRODIGY™ H,A,Q&L CENTER ASSEMBLY 57800

Hydraulic Unit Components



PRODIGY™ H,A,Q&L CENTER ASSEMBLY 57800

42885 Hydraulic Unit PRODIGY 41866 Hydraulic Unit Service Kit PRODIGY* (Not used for Central Hydraulics)						
Item	Part	Qty	Description	Item	Part	Description
1	21727K-2	1	Breather Pressure Control	15	44332	1 Valve – SVCV08-20 w/Nut
2	44327-2	1	Reservoir Kit	16	49227K-2	1 Valve – SV08-2004 w/Nut
3	66607	4	10-24 x 5/16 Machine Screw	17	42889	1 Relief Valve, 4000 psi
4	92079	1	3/8 Plug NPTF Square	18	42888	2 Counterbalance Valve
5	66519	1	O-Ring 2-250	19	44344	1 7/16-20 Socket O-Ring Boss Plug
6	73897	1	Magnet	20	48517	1 Quill Assembly, 1/2-20 Thread
7	90073	5	5/16-18 x 2 Hex Cap Screw G5	21	49138K-4	1 Relief Valve Kit (2 sets)
8	42887	1	Pump Kit	22	43370	1 0.1 Orifice Plate
9	56789-4	1	Suction Filter	ns	29099	2 1/4-20 x 1/4 Hex Washer-Head Thread-Rolling Screw
10	56274	1	O-Ring – 013	ns	44326	1 1/4-20 x 1/2 6-Lobe Round Washer-Head Screw (pkg of 5)
11**	64596-1	1	Sleeve Bearing and Shaft Seal Kit (incl. item 12)	ns	44355	2 1/4-20 x 5/8 Hex Washer-Head Thread-Rolling Screw
12†	66515	1	Pump Shaft Seal			
13	21500-1	1	Motor Assembly 4-1/2"			
14	48291	1	Valve – 4-Way, 3-Position, Closed Ctr			
O-Ring Service Kits						
–	56657-4	–	Back-Up/O-Ring Kit (Does not contain O-rings for cartridge valves.)	–	49259-2	– Seal Kit – Valves SV08-30, 31, 33, 40, 41, 43, 45, SVCV08-20 & PC08-30
–	49258-2	–	Seal Kit – Valves SV08-2004, CV08-20, SF08-2015		49464	Seal Kit – Crossover Relief Valve
ns = not shown				G = Grade		

* Includes 42885 Hydraulic Unit, 42892 Cover Assembly and plow-side electrical components (p. 14).

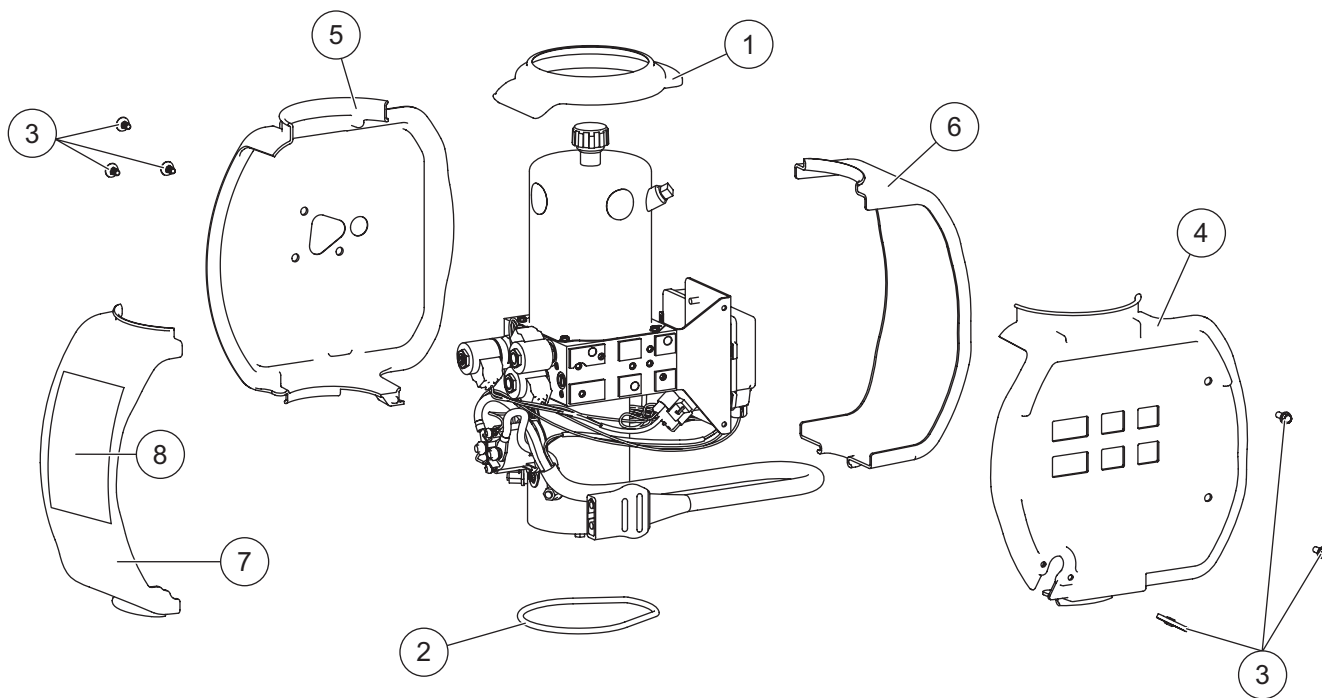
** Use 64589 tool for bearing sleeve replacement (includes 1 bearing).

† Use 28856 tool for pump shaft seal replacement (includes 1 seal).

Go to www.westernplows.com for hydraulic unit service information and specifications.

PRODIGY™ H,A,Q&L CENTER ASSEMBLY 57800

Hydraulic Unit Cover Assembly

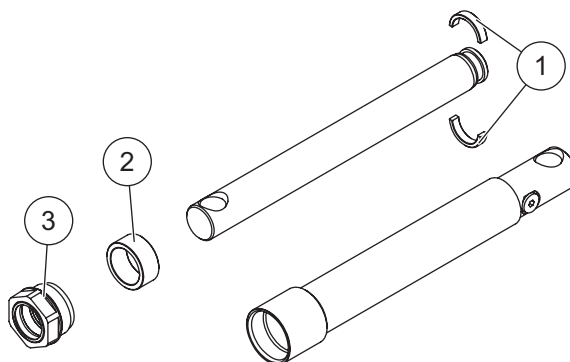
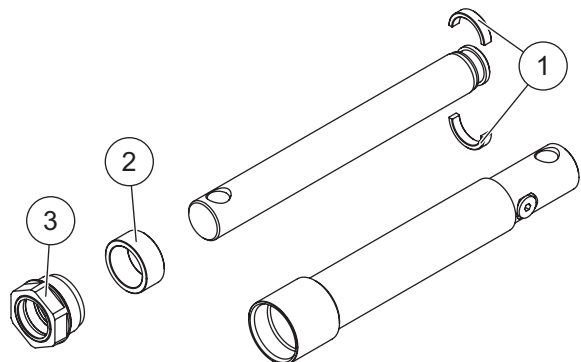


42892 Cover Assembly							
Item	Part	Qty	Description	Item	Part	Qty	Description
1	44352	1	Top Retainer Ring	6		1	Cover Side 3
2	44366	1	Bottom Retainer Ring	7		1	Cover Side 4
3	44326	1	1/4-20 x 1/2 6-Lobe Round Washer-Head Screw (5-pack) w/8" Cable Tie	8	48806	1	Label, Information
4		1	Cover Side 1	ns	42894	1	Label, Identity
5		1	Cover Side 2	ns	61536	1	Cable Tie – 14"

ns = not shown

PRODIGY™ H,A,Q&L CENTER ASSEMBLY 57800

Lift and Angle Ram Components

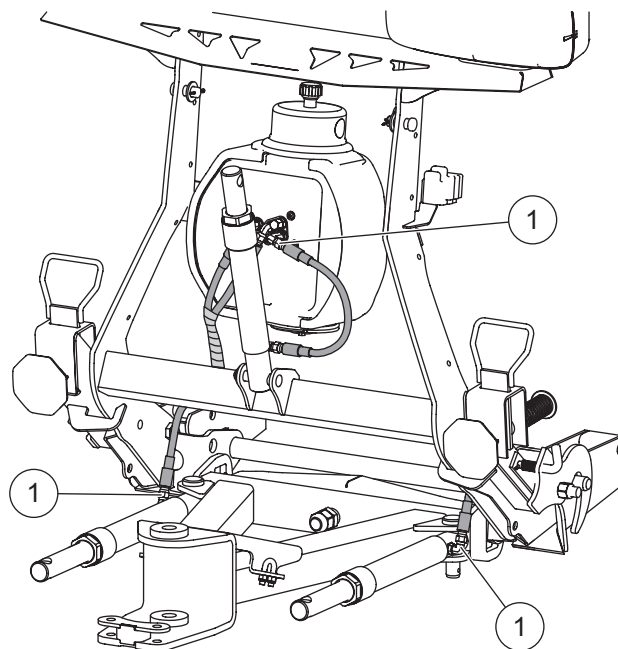
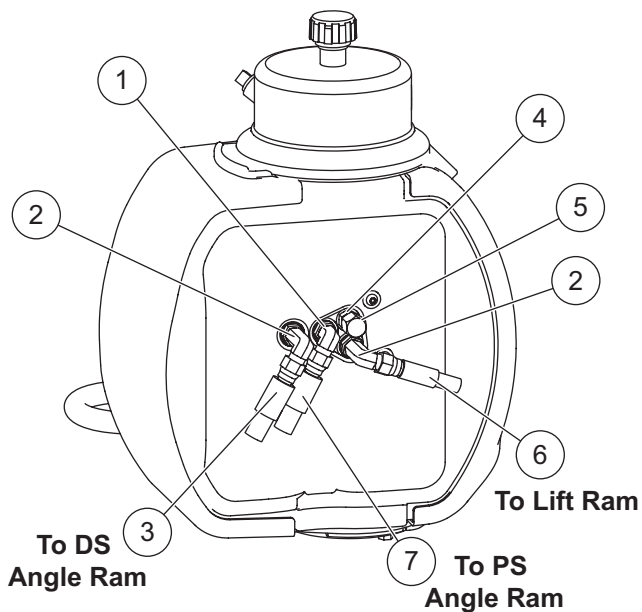


56538K Lift Ram Assembly 1-1/2 x 8			
Item	Part	Qty	Description
1	64650	1	Split Bearing Kit 1-1/2"
2	56537	1	Spacer
3	48985	1	Gland Nut Assembly

49460 Angle Ram Assembly 1-1/2 x 10			
Item	Part	Qty	Description
1	64650	1	Split Bearing Kit 1-1/2"
2	56537	1	Spacer
3	48985	1	Gland Nut Assembly

Go to www.westernplows.com for hydraulic unit service information and specifications.

Hoses and Fittings



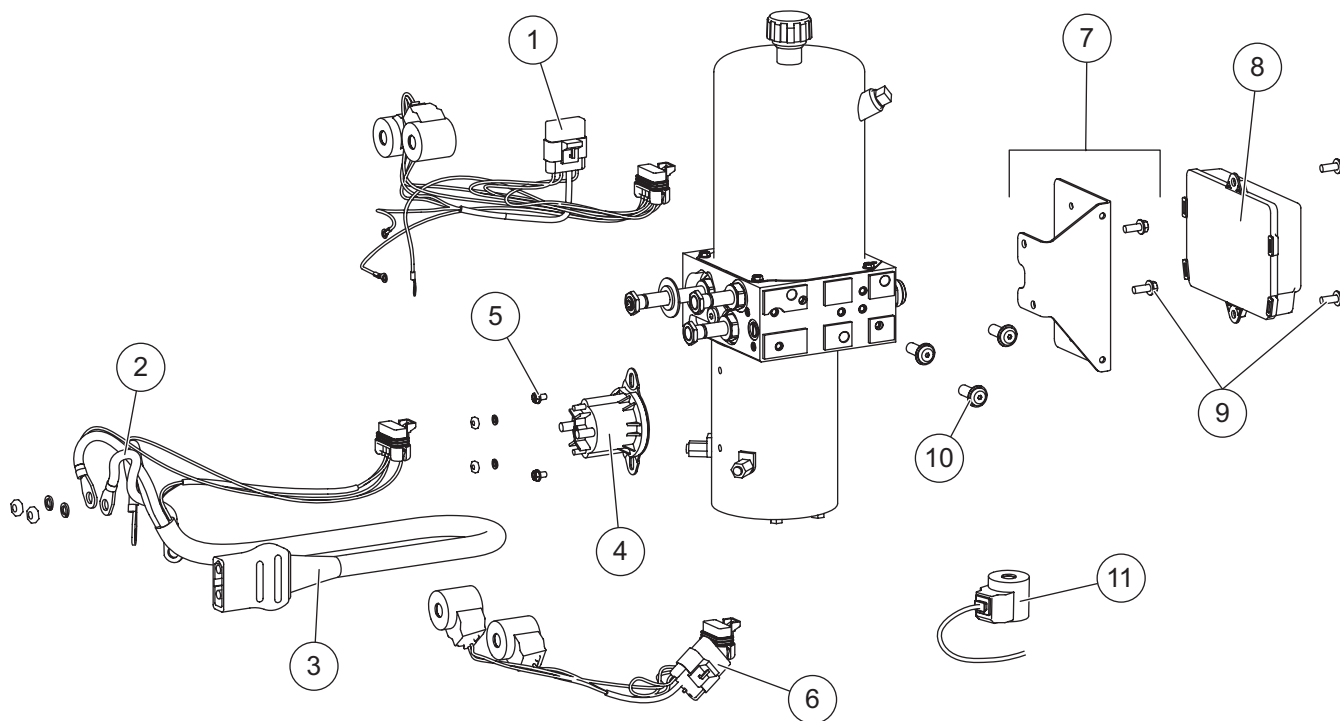
Hoses and Fittings							
Item	Part	Qty	Description	Item	Part	Qty	Description
1	56615-1	4*	Elbow 90° -6M O-Ring/MJIC	5	48332	1	Adapter 9/16-18 x 7/16-20 ORB
2	64212-1	2	Elbow 90° Long -6M O-Ring/MJIC	6	40569	1	1/4 x 16 Hose w/FJIC Ends
3	49496	1	3/8 x 42 Hose w/FJIC Ends	7	49532	1	3/8 x 36 Hose Kit w/FJIC Ends
4	44346	1	Drain Cap, Flare Tube End -6M				

F = Female M = Male or Metric

* Also used for central hydraulics, qty 3.

PRODIGY™ H,A,Q&L CENTER ASSEMBLY 57800

Electrical Components



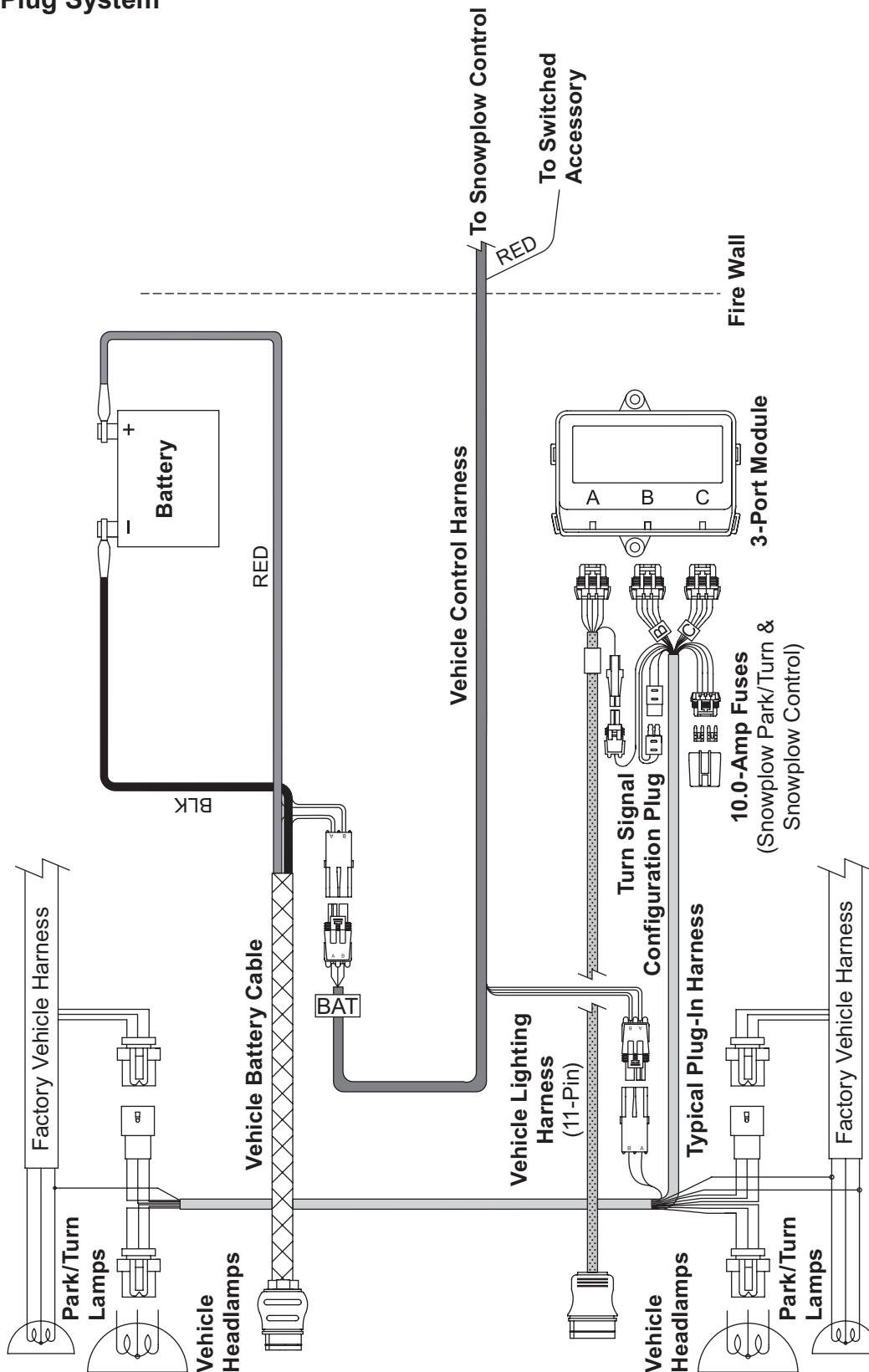
Plow-Side Electrical Components							
Item	Part	Qty	Description	Item	Part	Qty	Description
1	48858	1	Harness Plow Control, 2-Coil	9	44355	4	1/4-20 x 5/8 Hex Washer-Head Thread-Rolling Screw
2	29071	1	Cable Assembly 8"	10	98043	3	3/8-16 x 1 Button Cap Screw
3	42015	1	Plow Battery Cable	11	48294	4	Coil w/Wire Leads
4	42902	1	Motor Relay Kit, FLEET FLEX	ns	61246	1	Cable Boot
5	29099	2	1/4-20 x 1/4 Hex Washer-Head Thread-Rolling Screw	ns	56099	1	Dielectric Grease
6	29851	1	Harness Plow Control, 2-Coil	ns		3	Fuse, 5-Amp Mini Automotive Blade-Style (for items 1 & 6)
7	42893		Bracket – Plow Module				
8	44354-3	1	Plow Module				
Vehicle-Side Electrical Components							
*	42014	1	Vehicle Battery Cable	ns	61548K	1	Plug Cover Kit
*	28587	1	Vehicle Control Harness				

ns = not shown

* For diagram, see Vehicle-Side Harness Diagram.

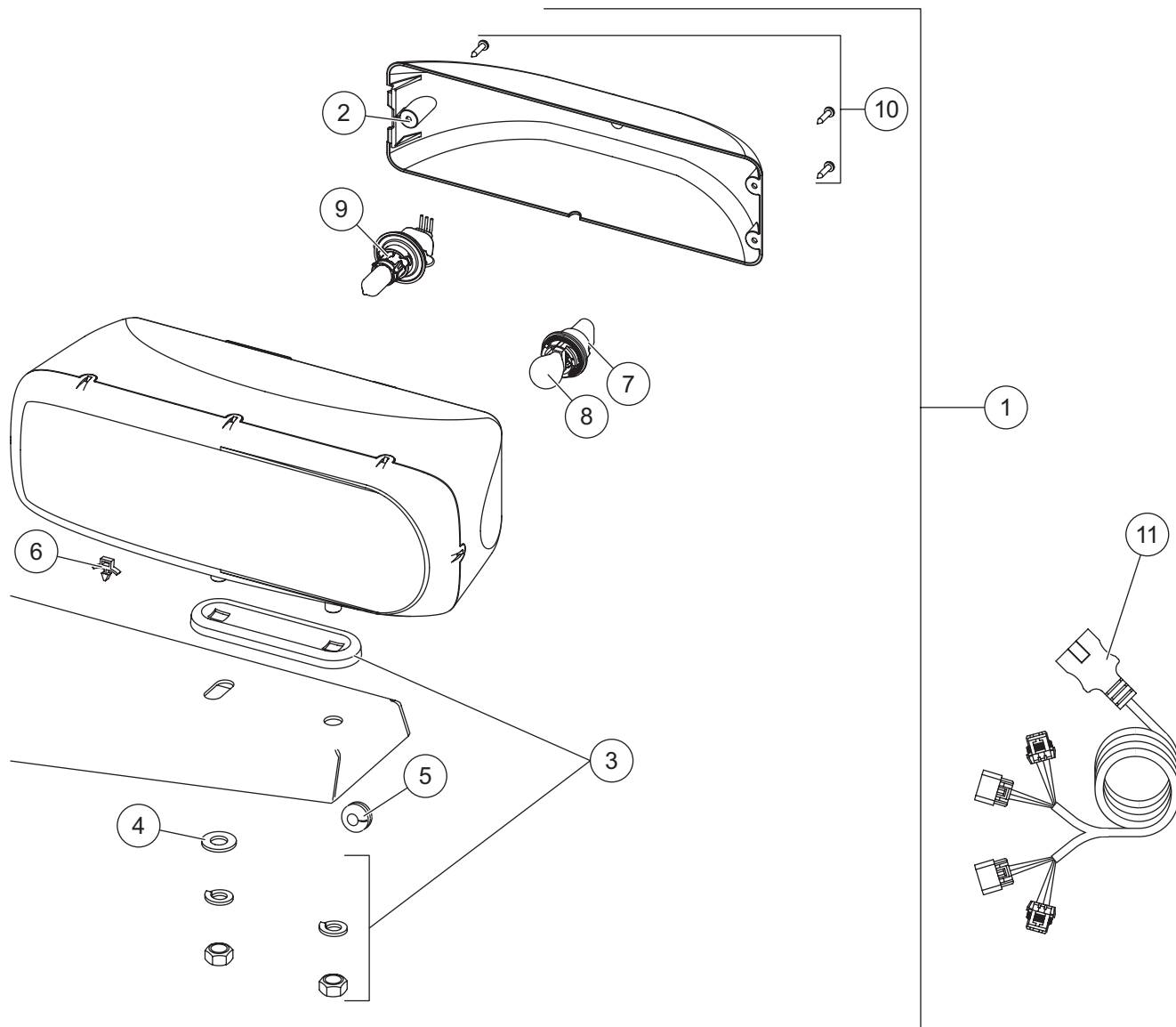
PRODIGY™ H,A,Q&L CENTER ASSEMBLY 57800

Vehicle-Side Harness Diagram 3-Port, 2-Plug System



PRODIGY™ H,A,Q&L CENTER ASSEMBLY 57800

Headlamp Kit



28800-1 Headlamp Kit (Pair)						
Item	Part	Qty	Description	Item	Part	Qty Description
1	28801-1	1	Headlamp Service Kit – DS	6	56595	7 Cable Tie Anchor
ns	28802-1	1	Headlamp Service Kit – PS	7	28805	2 Park/Turn Socket Service Kit
2	28803-1	2	Rear Cover Kit (fits 2- or 3-screw)	8		2 Park/Turn Bulb (trade no. 4157NAK)
3	28804	2	Mounting Hardware Kit	9	28806	2 H13 Headlamp Bulb Service Kit
4	91105	2	1/2 Flat Washer – Type A Wide	10	28808-1	2 Cover Screws Service Kit (pkg of 3)
5	66130	2	Rubber Grommet	11	28213W	1 Harness Service Kit

ns = not shown



Western Products
PO Box 245038
Milwaukee, WI 53224-9538
www.westernplows.com

 A DIVISION OF DOUGLAS DYNAMICS, LLC

Copyright © 2014 Douglas Dynamics, LLC. All rights reserved. This material may not be reproduced or copied, in whole or in part, in any printed, mechanical, electronic, film or other distribution and storage media, without the written consent of Western Products. Authorization to photocopy items for internal or personal use by Western Products outlets or snowplow owner is granted.

Western Products reserves the right under its product improvement policy to change construction or design details and furnish equipment when so altered without reference to illustrations or specifications used. Western Products or the vehicle manufacturer may require or recommend optional equipment for snow removal. Do not exceed vehicle ratings with a snowplow. Western Products offers a limited warranty for all snowplows and accessories. See separately printed page for this important information. The following are registered (®) or unregistered (™) trademarks of Douglas Dynamics, LLC: CONTRACTOR GRADE®, PRODIGY™, ULTRAFINISH™, UltraMount®, UltraMount® 2, WESTERN®.

Printed in U.S.A.