

BLIZZARD[®] **SNOWPLOWS**

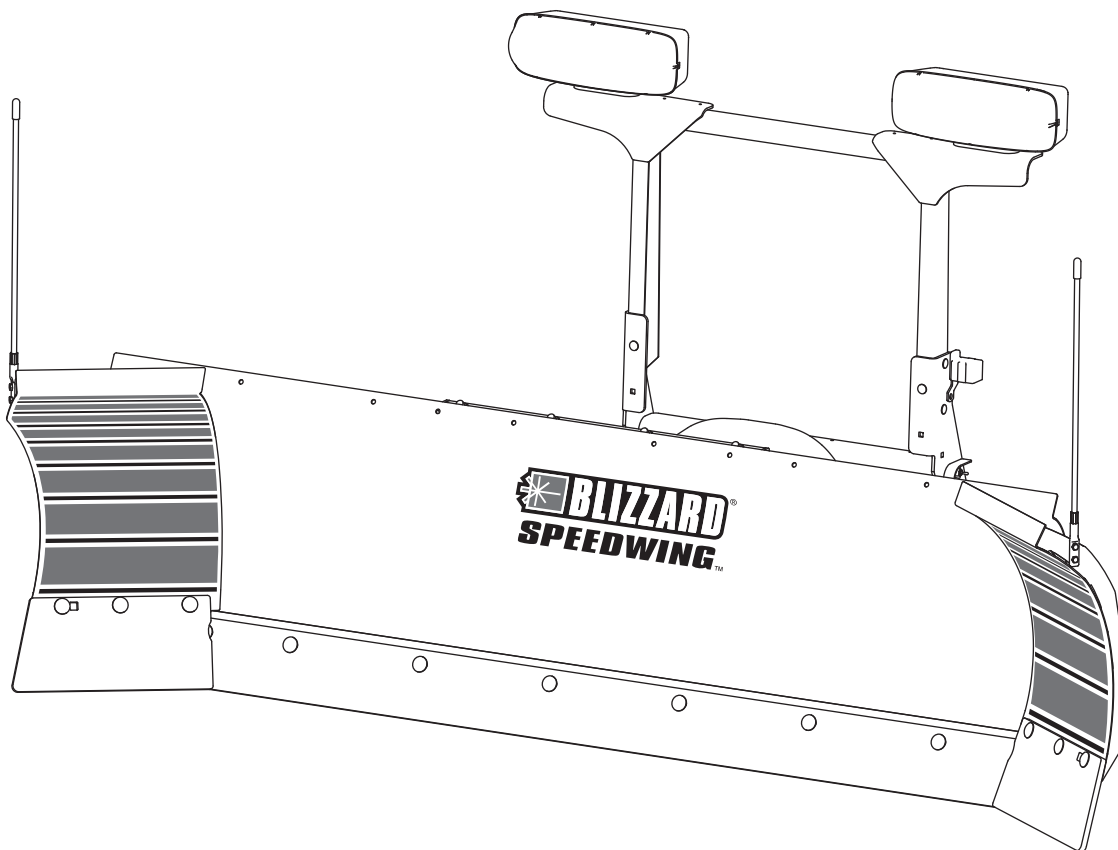
SPEEDWING[™] Snowplow

Model 8600SW

Blade Crate Assembly 57521

Big Box Assembly 57526

Parts List



This Parts List is for BLIZZARD[®] SPEEDWING snowplows with serial numbers beginning with 120202 and higher.

BLADE COMPONENTS 4

OFF-TRUCK COMPONENTS..... 8

 Pivot Beam, Light Tower and A-Frame 8

 Hydraulic Unit..... 12

 Lift and Angle Rams 14

 Hoses and Fittings 14

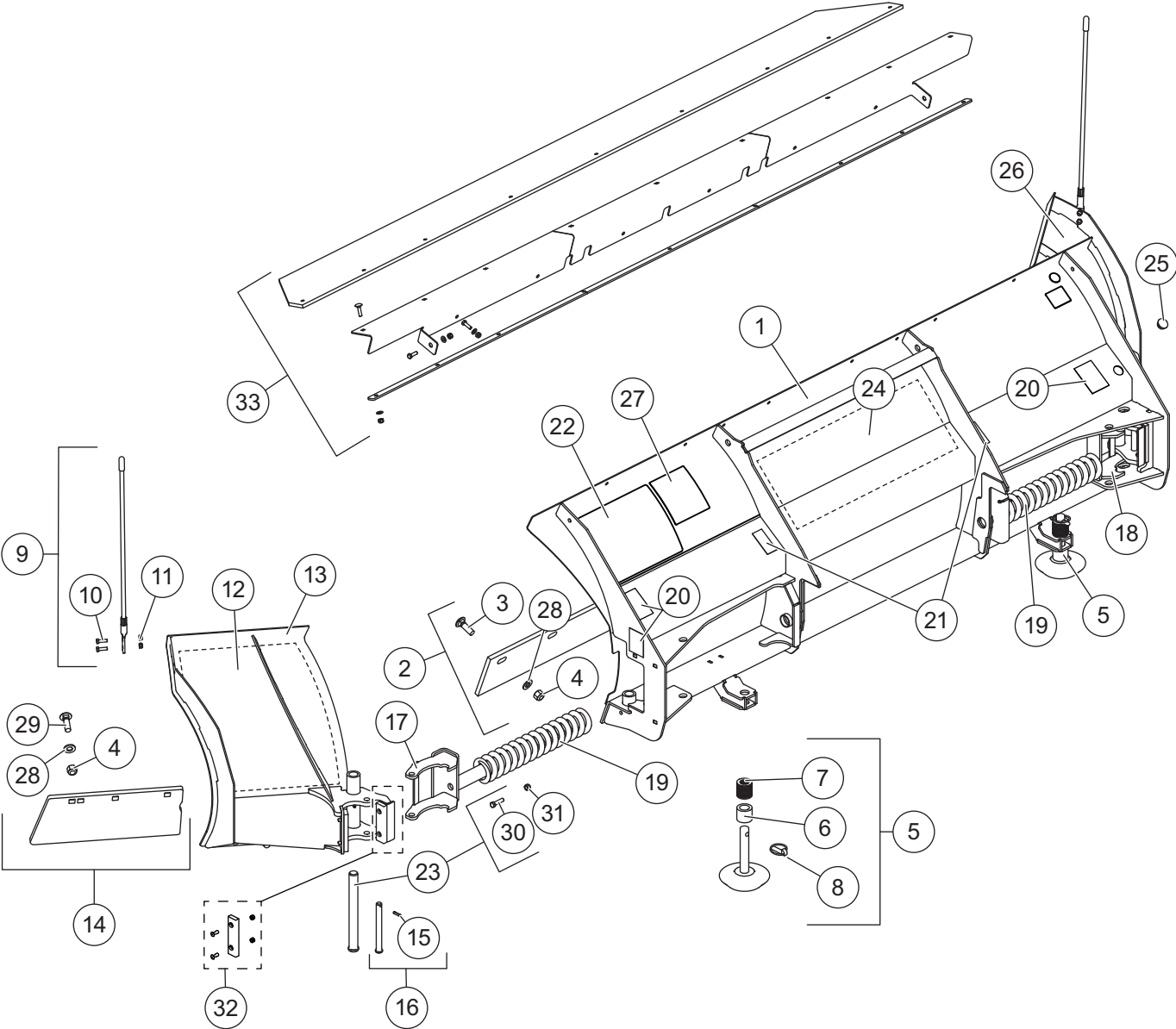
 Electrical Components..... 15

 Vehicle-Side Wiring Diagram – 3-Port, 2-Plug System 16

 Headlamp Kit 17

8600SW

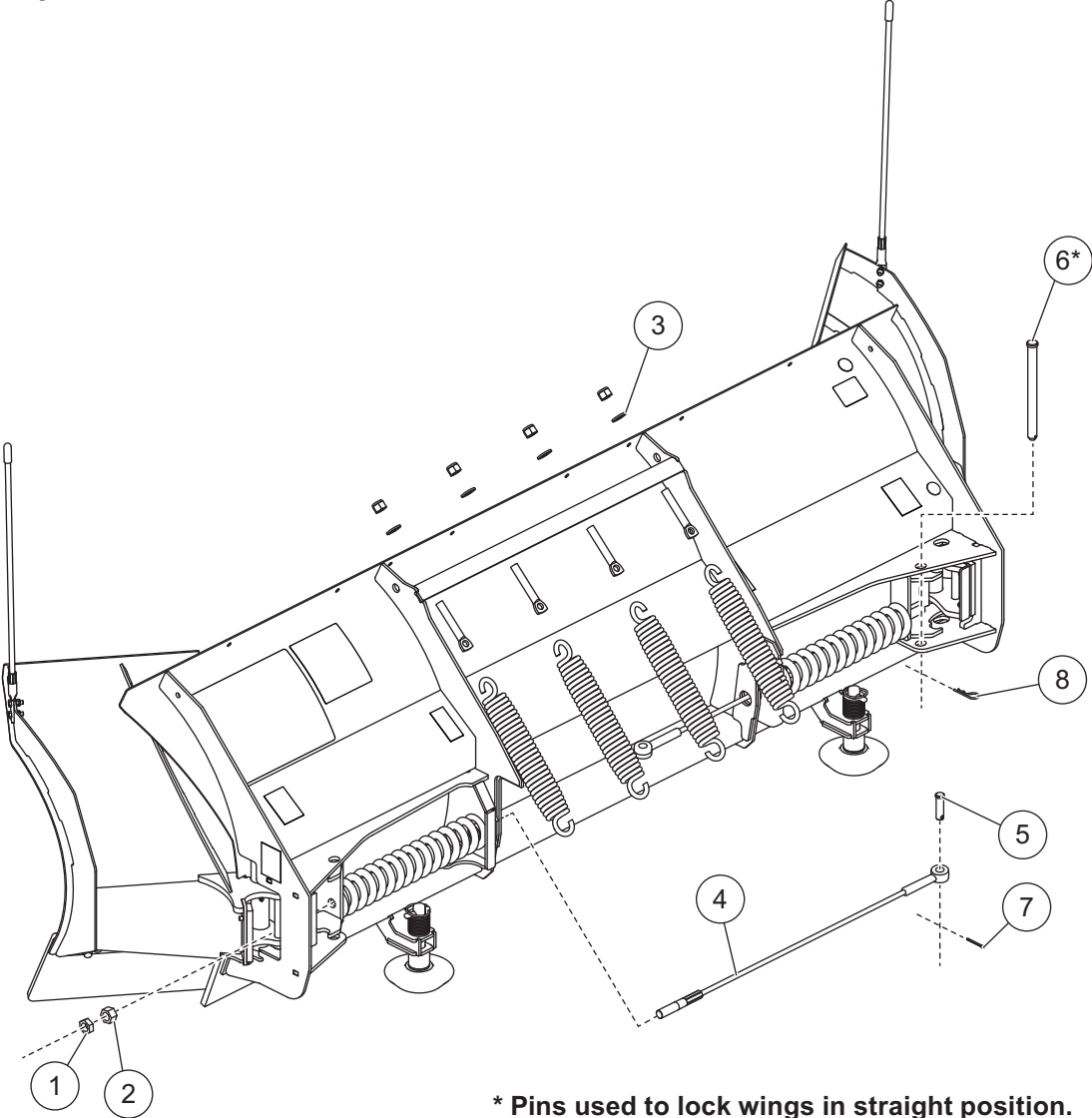
Blade Components



42391 Moldboard Assembly			
Item	Part	Qty	Description
1	42387	1	Moldboard (w/labels)
2	49799	1	Moldboard Cutting Edge Kit
3	63986	8	5/8-11 x 2-1/2 Carriage Bolt G5
4	91337	14	5/8-11 Hex Locknut Topping GB
5	53595	2	HD Plow Shoe Assembly
6	60045	2	1-1/8 ID, 1-5/8 OD x 1-1/2 Spacer
7	91192	34	Flat Washer, Special
8	93010	2	7/16 x 1-3/4 Linchpin
9	B61049	1	Blade Guide Assembly
10	68494	4	5/16-18 x 1 Hex Cap Screw G5
11	91332	4	5/16-18 Hex Locknut GB
12	42941	1	Label – Moldboard Wing DS
ns	42942	1	Label – Moldboard Wing PS
13	42385	1	Wing – DS
14	42383	1	Wing Cutting Edge Kit (both DS and PS)
15	42943	2	1/4 x 1 Coiled Spring Pin
16	42397	2	Spring Guide Pin Kit
17	42392	1	Spring Guide DS
18	42393	1	Spring Guide PS
19	42725	2	Compression Spring
20	29593	4	Label – Multiple Pinch Points
21	29256	2	Label – Crush Hazard
22	49443	1	Label – POWER HITCH™ 2 Attach/Detach
23	42396	2	Hinge Pin Kit
24	B63175	1	Label, Center Moldboard (BLZ 1085)
25	B61614	2	Plug, Ø1.00 Finishing
26	42386	1	Wing – PS
27	59900	1	Label – Warning/Caution, Snowplows
28	90576	14	5/8 Hardened Flat Washer
29	5572	6	5/8-11 x 2 Carriage Bolt G5
30	66439	2	3/8-16 x 1-1/2 Hex Cap Screw G5
31	91333	2	3/8 -16 Hex Locknut Topping GB
32	42395	4	Bumper Kit
33 [†]	42384	1	Deflector Kit
ns [‡]	B52093	1	Snowplow Airfoil
ns = not shown		‡ = Accessory Only	
		G = Grade	

8600SW

Blade Components

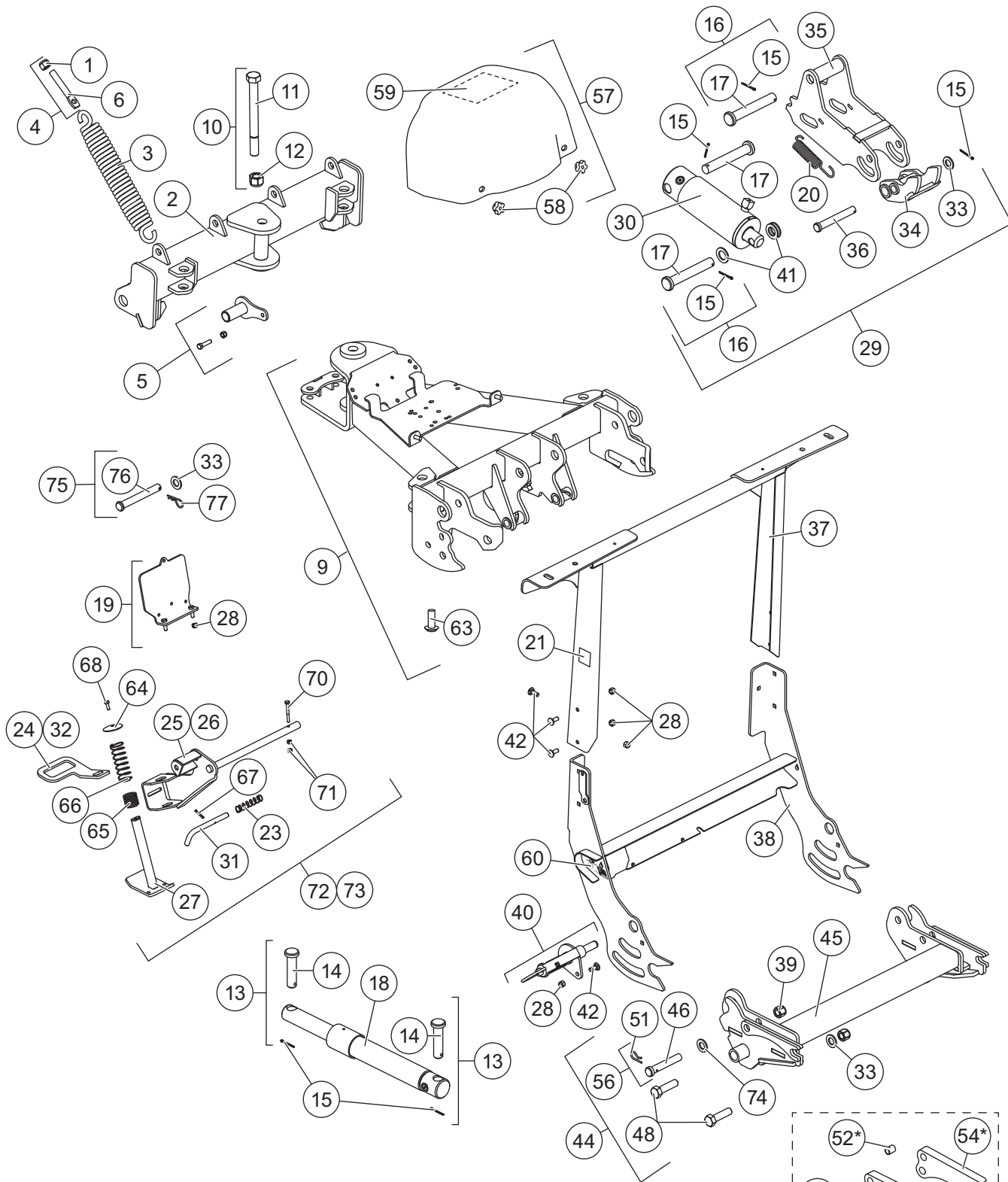


* Pins used to lock wings in straight position.

Blade Components			
Item	Part	Qty	Description
1	B61615	2	3/4-10 Hex Jam Nut
2	B61343	2	3/4-10 Hex Nut
3	90576	4	5/8 Hardened Flat Washer
4	42389	2	Cable Assembly w/Hardware (incl. items 1, 2, 5 and 7)
5	B61563	2	Ø .625 x 2.33 Clevis Pin
6	42378	2	3/4 x 9 Clevis Pin
7	90601	2	1/4 x 1-1/2 Cotter Pin
8	91962	2	1/8 Hairpin Cotter
SS = Stainless Steel			

8600SW

Pivot Beam, Light Tower and A-Frame Components



* Included in Undercarriage Kit only when necessary (determined by vehicle type and model).

Pivot Beam, Light Tower and A-Frame Components							
Item	Part	Qty	Description	Item	Part	Qty	Description
1	91337	4	5/8-11 Hex Locknut GB	21	69689	1	Label – SECURITY GUARD™
2	41138	1	Pivot Beam	28	91333	9	3/8-16 Hex Locknut GB
3	23039	4	Trip Spring	29	41117	1	Draw Latch Assembly
4	50655	4	Eyebolt Kit	37	41124-1	1	Light Tower, Upper
5	42388	2	Pivot Bushing Kit	38	41125-1	1	Light Tower, Lower
6	90490	4	5/8-11 x 4 Eyebolt G2	39	91338	5	3/4-10 Hex Locknut GB
9	41236	1	A-Frame	40	41129-1	2	Hitch Pin Kit
10	41146	1	Pivot Bolt Kit	42	90201	8	3/16-16 x 1 Carriage Bolt G5
11	66949	1	1-8 x 9 Hex Cap Screw G5 Special	44	41237	1	Mount Adapter Assembly
12	91340	1	1-8 Hex Locknut GB	52*	63212	2	Spacer
13	41122	4	Pin Kit	53*	40514	2	Height Adjustment Plate – Tall
14	6816	4	1 x 4 Clevis Pin G5	54*	40515	2	Height Adjustment Plate – Short
15	91911	7	5/32 x 1-1/2 Cotter Pin	56	40517-1	2	Receiver Hardware Kit
16	40547	3	Ram Pin Kit	57	48478	1	Cover Assembly
17	40458	3	1 x 6-1/2 Clevis Pin	60	48207	1	Label, POWER HITCH™ Switch ID
18	41096	2	Ram Assembly 1-3/4 x 11-3/8	63	98043	3	3/8-16 x 1 Button Flange Cap Screw
19	40548	1	Module Mounting Plate Kit				
Item 29				41117 Draw Latch Assembly			
15	91911	4	5/32 x 1-1/2 Cotter Pin	34	41104	1	Draw Latch Hook
17	40458	3	1 x 6-1/2 Clevis Pin	35	41105	1	Draw Latch
20	40660	2	Spring	36	48986	1	3/4 x 5-3/8 Clevis Pin HT
30	41095	1	3-1/2 x 5-1/2 Ram Assembly	41	91192	3	Flat Washer Special
33	91147	1	3/4 Flat Washer Narrow				
Item 44				41237 Mount Adapter Assembly			
33	91147	2	3/4 Flat Washer Narrow	48	66449	4	3/4-10 x 2-3/4 Hex Cap Screw G5
39	91338	4	3/4-10 Hex Locknut GB	51	42142	2	1/8 x 1-9/16 R-Pin Cotter
45		1	Mount Adapter	74	43133	2	3/4 Narrow Washer
46	40496	2	3/4 x 4-3/8 Clevis Pin				
Item 57				48478 Cover Assembly			
		1	Cover	59	48421	1	Label – Information, BD SW
58	B61628	2	3/8-16 Clamping Knob				
Item 72				48731 Stand Assembly – DS			
23	27461	1	Compression Spring	65	67636	1	Stand Lock Spring
24	48733	1	Handle – DS	66	48715	1	Stand Return Spring
25	48730	1	Stand – DS	67	67700	1	3/16 x 1-1/4 Roll Pin
27	48728	1	Stand Shoe	68	90461	1	1/4-20 x 3/4 Hex Cap Screw G5
31	40662	1	Stand Pin	70	41101	1	1/4-20 x 2-1/4 Hex Cap Screw G8
64	69685	1	Stand Plunger Cap	71	91331	2	1/4-20 Hex Locknut GB
Item 73				48732 Stand Assembly – PS			
23	27461	1	Compression Spring	65	67636	1	Stand Lock Spring
G = Grade				HT = Heat Treated			

* The height adjustment plates are not included in the Crate Assembly Box, and are not required for all applications. When required, the correct plates are packaged and sold with the Undercarriage Kits.

Continued on next page

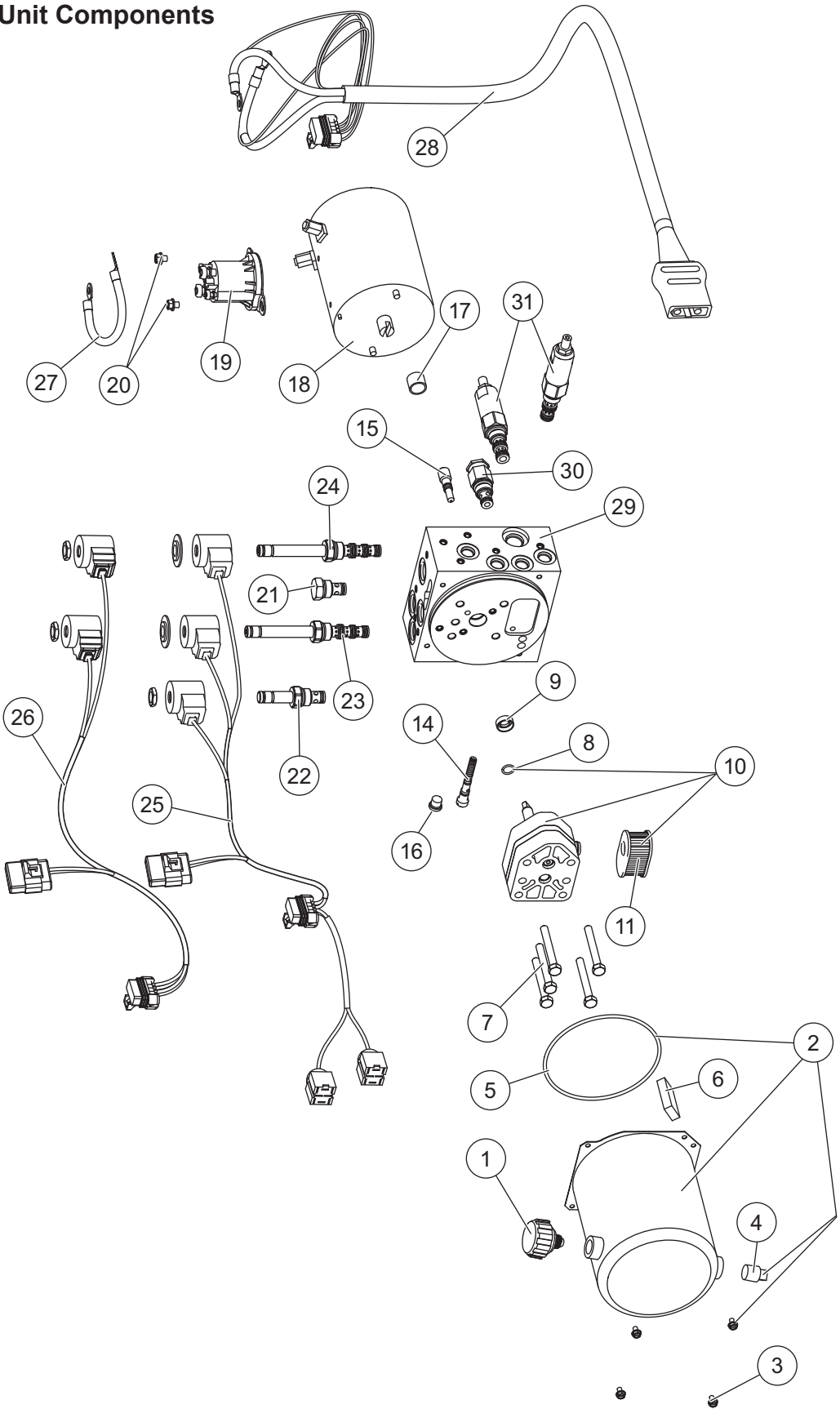
8600SW

Pivot Beam, Light Tower and A-Frame Components							
Item	Part	Qty	Description	Item	Part	Qty	Description
26	48729	1	Stand – PS	66	48715	1	Stand Return Spring
27	48728	1	Stand Shoe	67	67700	1	3/16 x 1-1/4 Roll Pin
31	40662	1	Stand Pin	68	90461	1	1/4-20 x 3/4 Hex Cap Screw G5
32	48734	1	Handle – PS	70	41101	1	1 /4-20 x 2-1/4 Hex Cap Screw G8
64	69685	1	Stand Plunger Cap	71	91331	2	1/4-20 Hex Locknut GB
Item 75				48556 Transport Pin Kit			
76	63354	1	3/4 x 6 Clevis Pin	77	91962	1	1/8 Hairpin Cotter
33	91147	1	3/4 Flat Washer Narrow				
G = Grade				HT = Heat Treated			

This page intentionally left blank.

8600SW

Hydraulic Unit Components



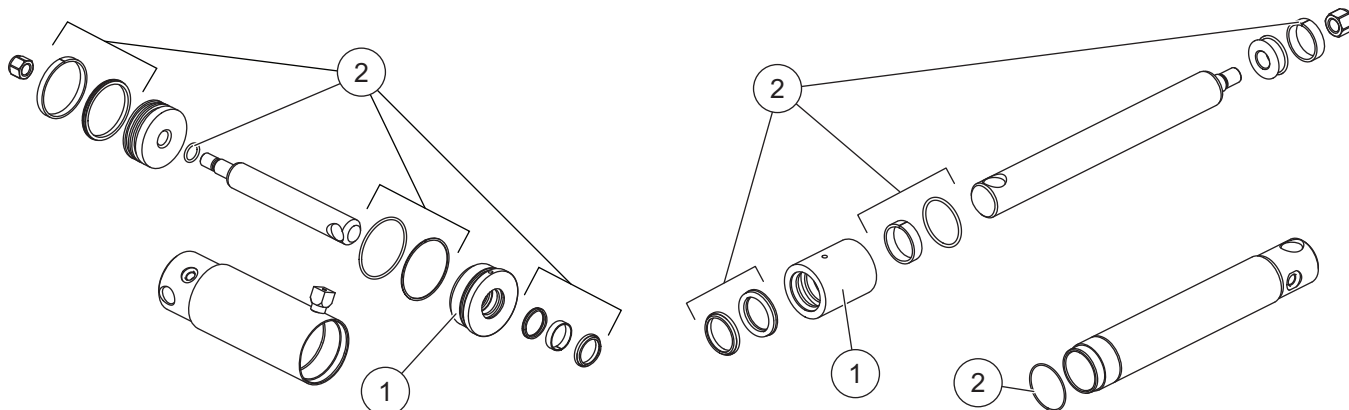
41140 Hydraulic Unit						
Item	Part	Qty	Description	Item	Part	Qty Description
1	48278	1	Breather	19	42903	1 Motor Relay Kit, FLEET FLEX
2	48279	1	Reservoir Kit	20	29099	2 1/4-20 x 1/4 Hex Washer-Head Thread-Rolling Screw
3	66607	4	10-24 x 5/16 Machine Screw	21	48287	1 Check Valve
4	92079	1	3/8 Plug NPTF Square	22	48288	1 Valve, 2-Way NC w/Rev Flow
5	66519	1	O-Ring 2-250	23	48289	1 Valve, 4-Way, 3-Position
6	73897	1	Magnet	24	48291	1 Valve, 4-Way, 3-Position Closed Center
7	90080	5	5/16-18 x 2-1/2 Hex Cap Screw G5	25	29849	1 Plow Control Harness, 3-Coil
8	56274	1	O-Ring – 013	26	29851	1 Plow Control Harness, 2-Coil
9	66515	1	Pump Shaft Seal	27	29071	1 Vehicle Battery Cable 8"
ns	48302	1	Seal Repair Tool Kit w/Seal	28	48295	1 Snowplow Battery Cable
10	49487	1	Hydraulic Pump Kit	29	41139	1 Manifold Assembly w/o Valves
11	48281	1	Filter	30	41091	1 Relief Valve Kit
14	48283	1	Relief Valve (1 set)	31	B60430	2 Counterbalance Valve Kit
15	48241	1	Stem Assembly Needle Valve	ns		3 Fuse, 5-Amp Mini Automotive Blade-Style (for items 25 and 26)
16	44344	1	7/16-20 Socket O-Ring Boss Plug			
17*	56364	1	Bearing Sleeve			
ns	48284	1	Bearing Repair Tool Kit w/Bearing			
18	48285	1	Motor			
O-Ring Service Kits						
–	48301	–	O-Ring Kit	–	48310	– Seal Kit, 2-Way Valves
–	48309	–	Seal Kit , 3-Way & 4-Way Valves			
Item 29	41139 Manifold Assembly w/o Valves					
3	66607	4	10-24 x 5/16 Machine Screw	14	48283	1 Relief Valve (1 set)
5	66519	1	O-Ring 2-250	15	48241	1 Stem Assembly Needle Valve
8	56274	1	O-Ring 013	16	44344	1 7/16-20 Socket O-Ring Boss Plug
9	66515	1	Pump Shaft Seal	17*	56364	1 Bearing Sleeve
			ns = not shown	G = Grade		

* Use 48284 tool to install.

Go to www.blizzardplows.com for hydraulic unit service information and specifications.

8600SW

Lift and Angle Ram Components

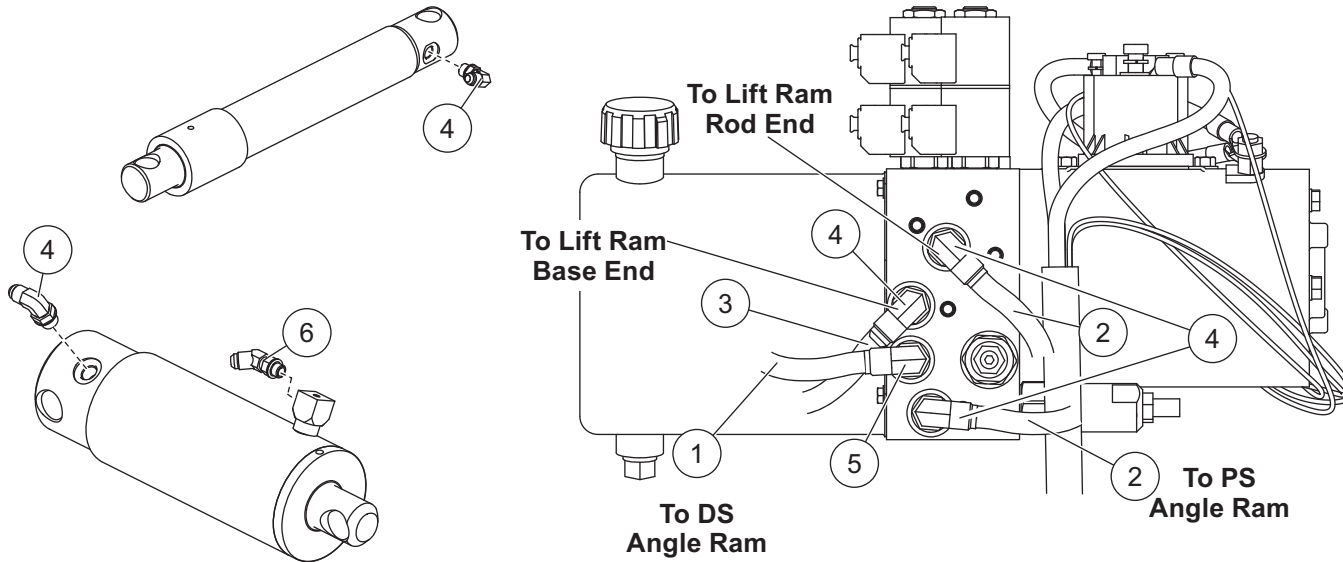


41095 Lift Ram Assembly 3-1/2 x 5-1/2			
Item	Part	Qty	Description
1	48358	1	1-1/2 Gland
2	41098	1	Seal Kit 3-1/2" DA Ram

41096 Angle Ram Assembly 1-3/4 x 11			
Item	Part	Qty	Description
1	50403	1	1-3/4 Gland
2	41097	1	1-3/4 Seal Kit

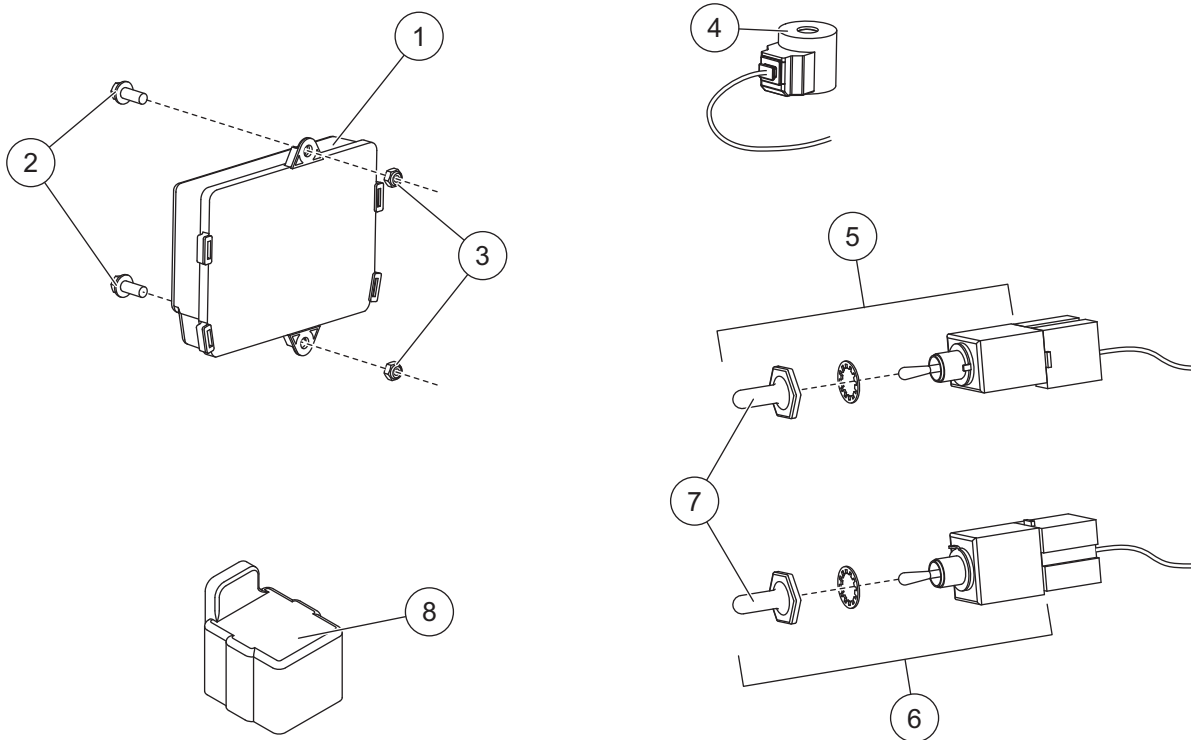
Go to www.blizzardplows.com for hydraulic unit service information and specifications.

Hoses and Fittings



Hoses and Fittings							
Item	Part	Qty	Description	Item	Part	Qty	Description
1	41094	1	1/4 x 18 Hose w/FJIC Ends	5	40572	1	Elbow 90° Extra Long – 6M O-Ring/MJIC
2	40570	2	1/4 x 22 Hose w/FJIC Ends	6	41093	1	Elbow 45° 9/16-18 x 7/16-20 ORB
3	40569	1	1/4 x 16 Hose w/FJIC Ends				
4	40571	6	Elbow 90° – 6M O-Ring/MJIC				
F = Female				M = Male or Metric			

Electrical Components

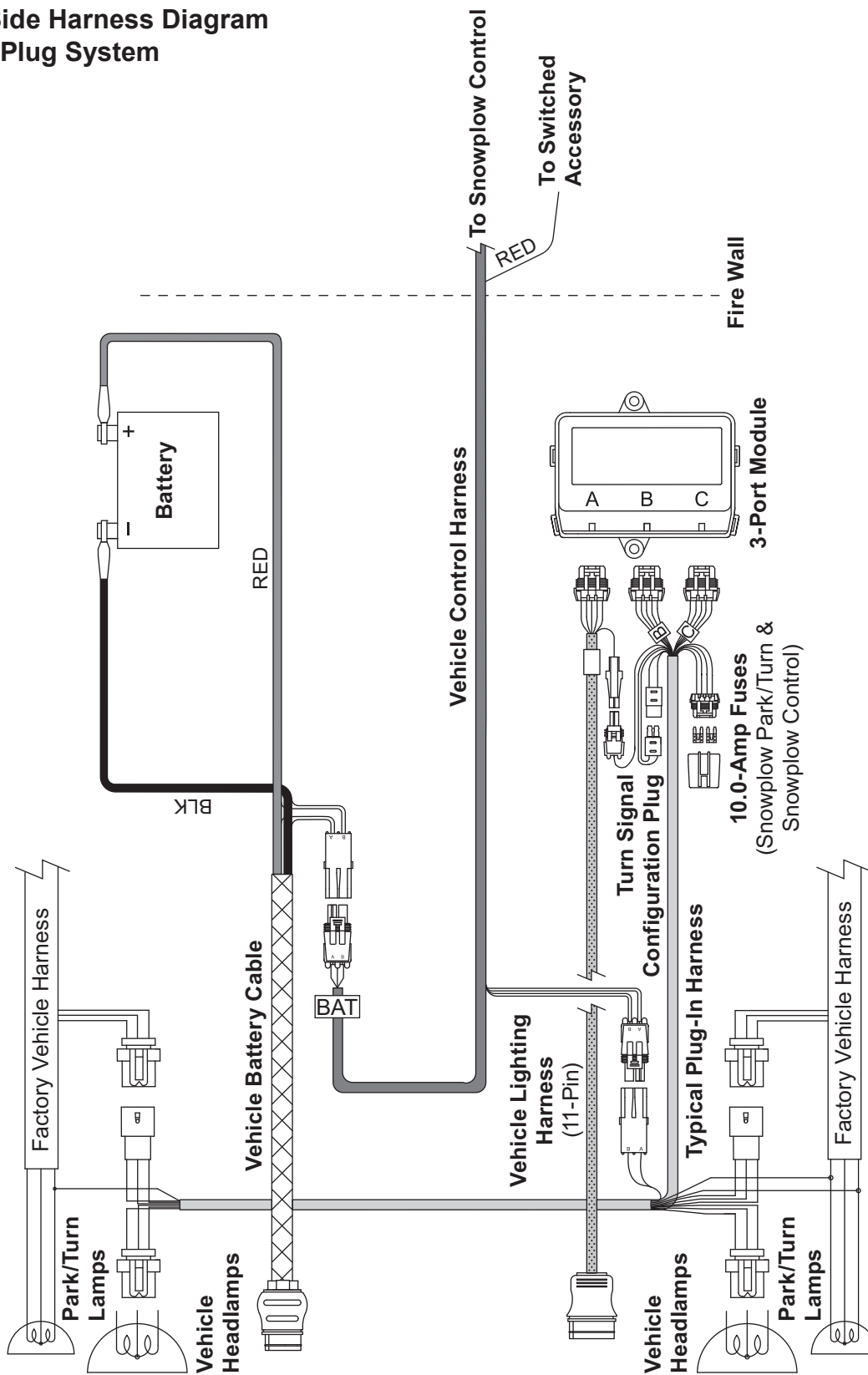


Plow-Side Electrical Components							
Item	Part	Qty	Description	Item	Part	Qty	Description
1	44354-3	1	Plow Module	6	40576	1	Toggle Switch, (MOM-ON, OFF, MOM-ON)
2	44355	2	1/4-20 x 5/8 Hex Washer-Head Thread-Rolling Screw	7	48259	2	Switch Boot
3	91331	2	1/4-20 Hex Locknut GB	8	61246	1	Cable Boot
4	48294	5	Coil w/Wire Leads				
5	40575	1	Toggle Switch (MOM-ON, OFF, ON)				
Vehicle-Side Electrical Components							
*	42014	1	Vehicle Battery Cable	ns	48325	2	Plug Cover
*	28587	1	Vehicle Control Harness				
ns = not shown				G = Grade			

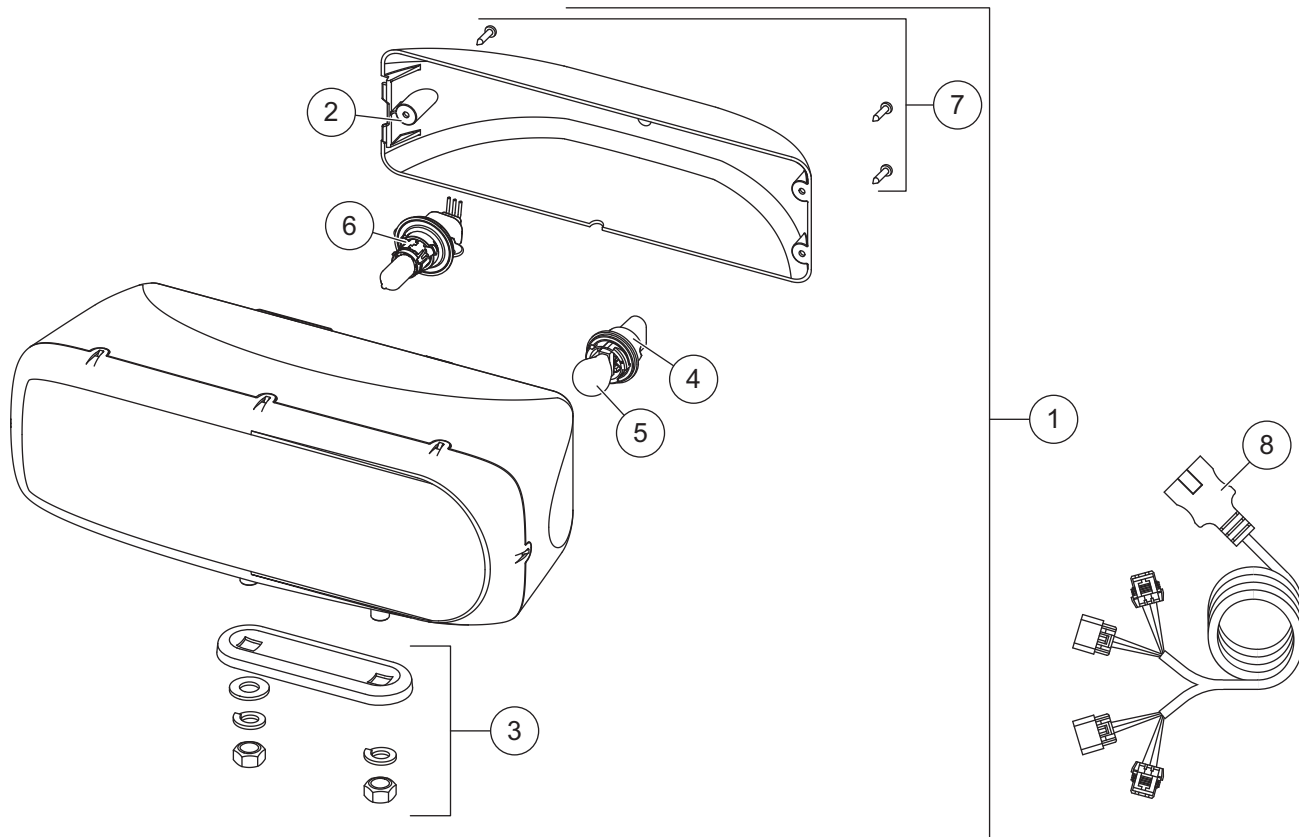
* For diagram see Vehicle-Side Harness Diagram.

8600SW

Vehicle-Side Harness Diagram
3-Port, 2-Plug System



Headlamp Kit



28800-1 Headlamp Kit (Pair)							
Item	Part	Qty	Description	Item	Part	Qty	Description
1	28801-1	1	Headlamp Service Kit, DS	5		2	Park/Turn Bulb (trade no. 4157NAK)
ns	28802-1	1	Headlamp Service Kit, PS	6	28806	2	H13 Headlamp Bulb Service Kit
2	28803-1	2	Rear Cover Kit (fits 2- or 3-screw)	7	28808-1	2	Cover Screws Service Kit (pkg of 3)
3	28804	2	Mounting Hardware Kit	8	28213K	1	Harness Service Kit
4	28805	2	Park/Turn Socket Service Kit				

ns = not shown



Blizzard
PO Box 245038
Milwaukee, WI 53224-9538
www.blizzardplows.com

 A DIVISION OF DOUGLAS DYNAMICS, L.L.C.

Copyright © 2012 Douglas Dynamics, L.L.C. All rights reserved. This material may not be reproduced or copied, in whole or in part, in any printed, mechanical, electronic, film or other distribution and storage media, without the written consent of Blizzard. Authorization to photocopy items for internal or personal use by Blizzard outlets or snowplow owner is granted.

Blizzard reserves the right under its product improvement policy to change construction or design details and furnish equipment when so altered without reference to illustrations or specifications used. Blizzard or the vehicle manufacturer may require or recommend optional equipment for snow removal. Do not exceed vehicle ratings with a snowplow. Blizzard offers a limited warranty for all snowplows and accessories. See separately printed page for this important information. The following are registered (®) or unregistered (™) trademarks of Douglas Dynamics, L.L.C.: BLIZZARD®, POWER HITCH™, POWER HITCH™ 2, SECURITY GUARD™, SPEEDWING™.

Printed in U.S.A.