



**7-1/2', 8-1/2', and 9-1/2'
MVP 3™ Snowplows**

Mild Steel Blades 74475, 74485, 74495

Poly Blades 74585, 74595

Stainless Steel Blades 74675, 74685, 74695

Center Assembly 74300, 74400

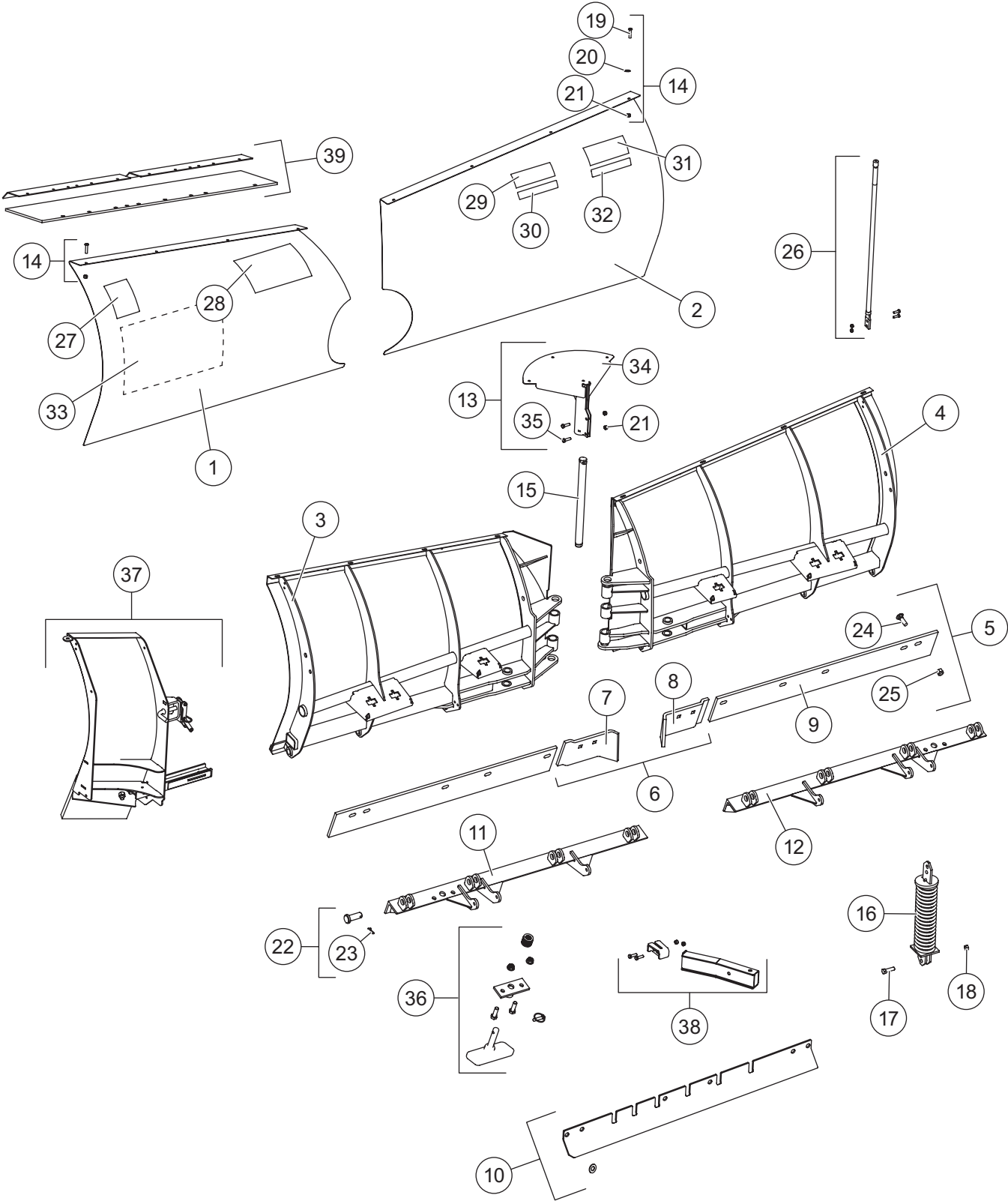
Center Assembly, Central Hydraulics 74310

Parts List



MVP 3™ BLADE COMPONENTS	4
MVP 3 CENTER ASSEMBLY	6
Lift Frame and T-Frame Components.....	6
Hydraulic Unit Components	8
Hydraulic Unit Cover Assembly	10
Lift and Angle Ram Components.....	11
Hoses and Fittings	11
Electrical Components.....	12
Vehicle-Side Wiring Diagram – 3-Port, 2-Plug System.....	13
Vehicle-Side Wiring Diagram – Central Hydraulics	14
Headlamp Kit	15

Blade Components – 9-1/2' Shown



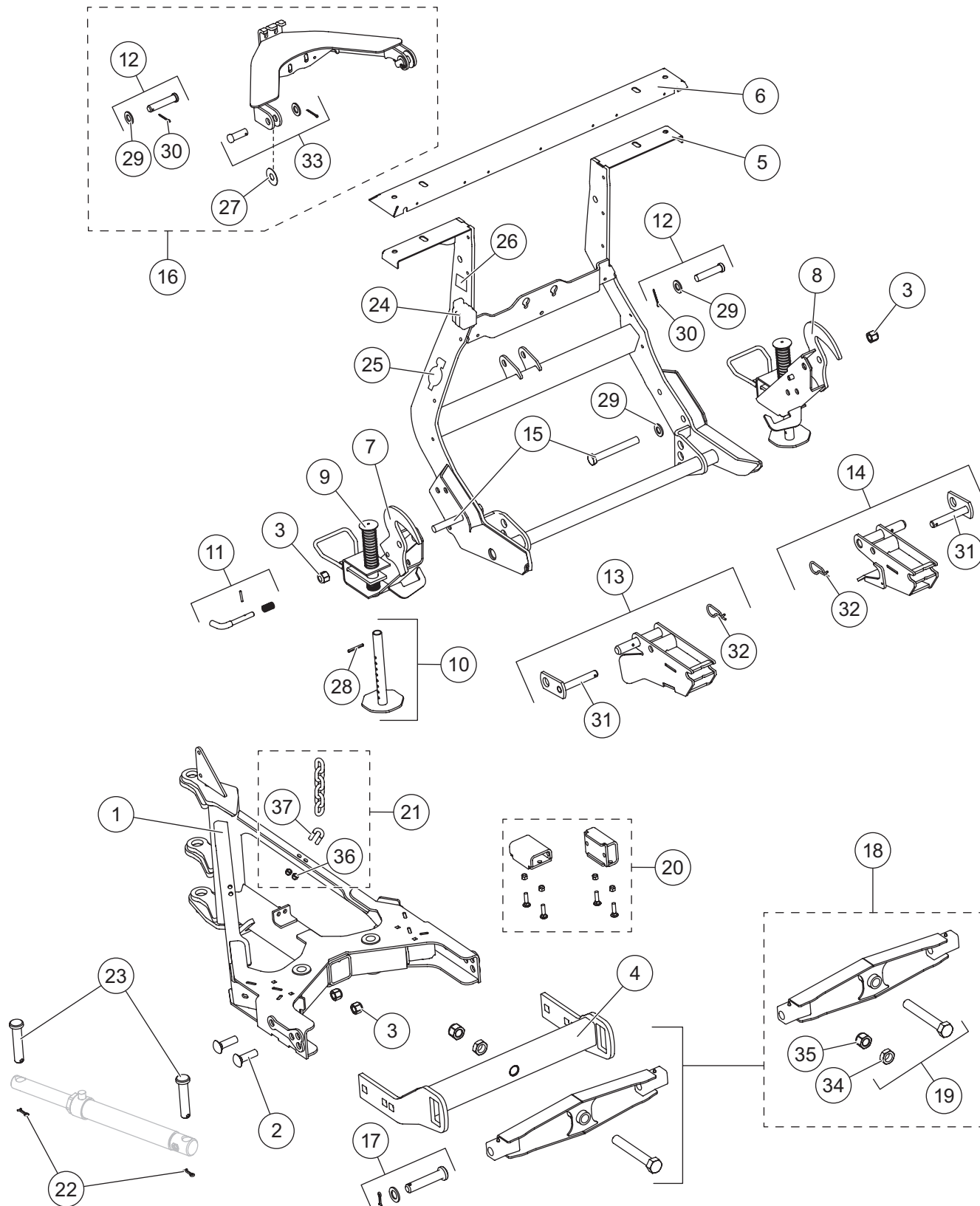
MVP 3™ BLADES 74475/74485/74495/74585/74595/74675/74685/74695

74475/74485/74495/74585/74595/74675/74685/74695 MVP 3 Blade									
Item Description		Part Number							
		7-1/2'		8-1/2'			9-1/2'		
		MS	SS	MS	SS	Poly	MS	SS	Poly
1	Moldboard Kit w/Fasteners & Labels – DS	43137	74402	43138	74403	43141	43139	74404	43142
2	Moldboard Kit w/Fasteners & Labels – PS	43158	74405	43159	74406	43162	43160	74407	43163
3	Frame, Base Angle & Spring Assembly – DS	43143		43144			43145		
4	Frame, Base Angle & Spring Assembly – PS	43146		43147			43148		
5	Cutting Edge Kit (3/8")	44561-2		44564-2			–		
	Cutting Edge Kit (1/2")	44284-2*		44285-2*			44567-2		
	Cutting Edge Kit (5/8")	–		85358*			85359*		
6	Center Cutting Edge Kit	44894-1							
	Center Cutting Edge Kit (5/8")	85357*							
7	Center Cutting Edge – DS	44891-1							
	Center Cutting Edge (5/8") – DS	85351*							
8	Center Cutting Edge – PS	44890-1							
	Center Cutting Edge (5/8") – PS	85352*							
9	Cutting Edge (3/8") – one side	44896-1		44897			–		
	Cutting Edge (1/2") – one side	44996-1*		44997*			44898		
	Cutting Edge (5/8") – one side	–		85355*			85356*		
10*	Back Drag Edge Kit	44281-3*		44282-3*			44283-3*		
11	Base Angle – DS	43126		43128			43130		
12	Base Angle – PS	43127		43129			43131		
13	Center Snow Control Kit	43118							
14	Moldboard Fasteners Kit	43890							
* = Accessory Only		MS = Mild Steel				SS = Stainless Steel			

Blade Pins, Fasteners, Labels & Springs					
Item	Part	Description	Item	Part	Description
15	49844	Main Pivot Pin	28	43360	Label – UltraMount® 2 Attach/Detach
16	21452	Removable Spring Assembly	29	41696	Label – Identity, MVP 3
17	91000	7/16-14 x 1/2 x 1-5/8 Shoulder Bolt	30		Label – Blade Size & Serial Number
19		3/8-16 x 1 Button Cap Screw	31	44451	Label – Identity, WESTERN® 8.31"
20		3/8 Hardened Washer	32	28404	Label – ULTRAFINISH™ (MS moldboard)
21		3/8-16 Hex Locknut GB	33	40986	Label – CONTRACTOR GRADE®, Red (MS & poly moldboards)
22	43745	1 x 2-3/4 Clevis Pin w/Cotter		43899	Label – CONTRACTOR GRADE, Clear (SS moldboard)
23		1/4 x 1-1/2 Cotter Pin	ns	44763	Bolt Bag – Cutting Edge Kits (1 side, 5 sets of fasteners)
24		5/8-11 x 2 Carriage Bolt G5			
25		5/8-11 Hex Locknut GB			
26	62595	Poly Blade Guide Kit			
27	59900	Label – Warning/Caution, Snowplows			
Item 13 43118 Center Snow Control Kit					
21		3/8-16 Hex Locknut GB	35		3/8-16 x 1-1/4 Hex Cap Screw G5
34		Center Deflector			
Blade Accessories					
36*	43088	Shoe Kit (set of 2)	39*	41810	Deflector Kit (universal) – 10"
37*	43510-1	Blade Wing Extension Kit (8-1/2' & 9-1/2' blades only)	ns	41811*	Deflector Kit (universal) – 18"
38*	43082-1	Blade Stop Kit	ns	43087*	Label Kit – Complete Blade, MS & Poly
ns	43620*	Bolt Bag – Rubber Deflector	ns	74414*	Label Kit – Complete Blade, SS
* = Accessory Only		MS = Mild Steel	SS = Stainless Steel	G = Grade	ns = not shown

MVP 3™ CENTER ASSEMBLY 74300/74310(CH)/74400

Lift Frame and T-Frame Components



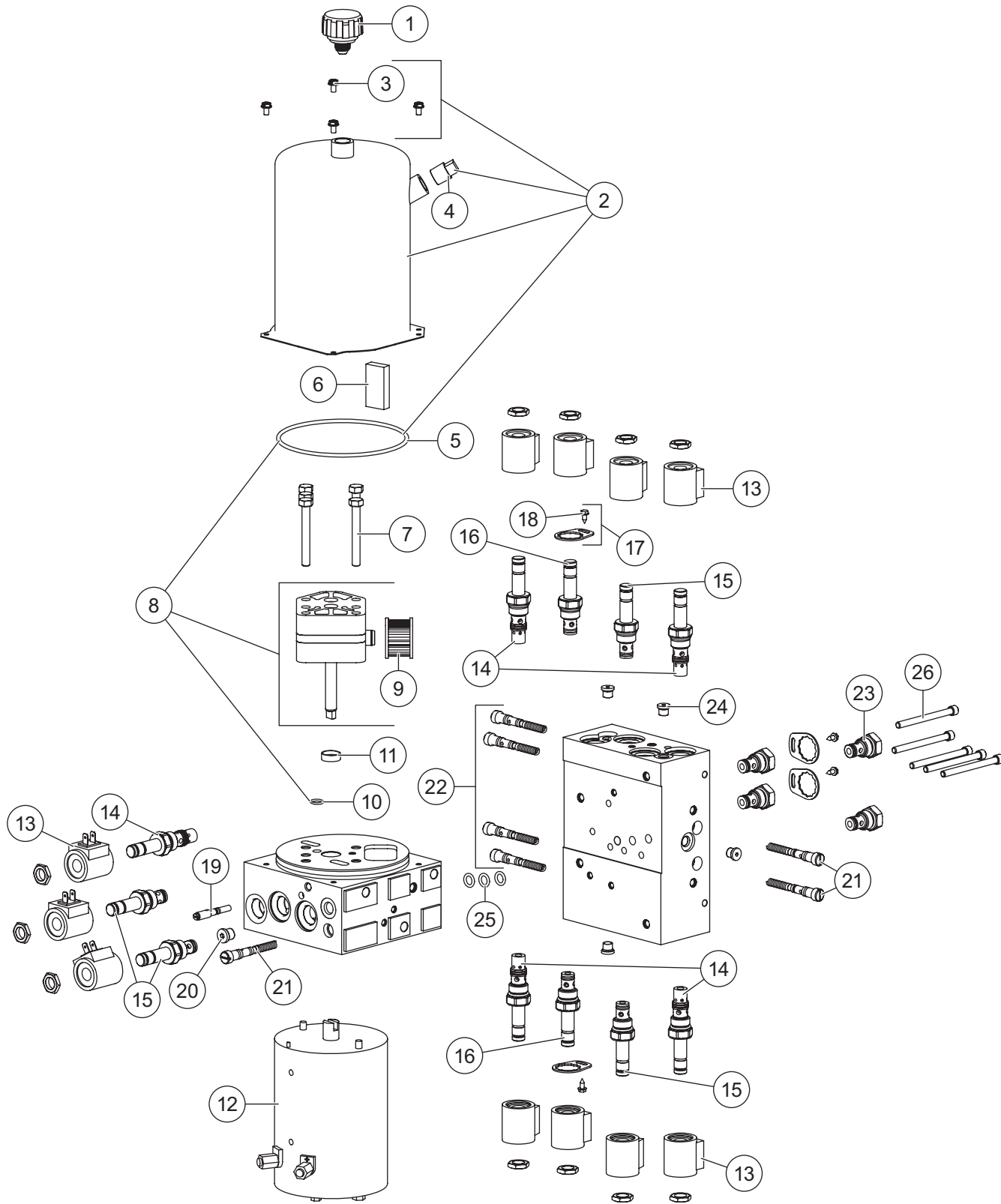
MVP 3™ CENTER ASSEMBLY 74300/74310(CH)/74400

MVP 3 Lift Frame and T-Frame Components							
Item	Part	Qty	Description	Item	Part	Qty	Description
1	43116	1	T-Frame Service Kit	14	76718	1	Receiver Kit – PS
2	69820	4	3/4-10 x 2-1/8 Carriage Bolt	15	66451	2	3/4-10 x 6 Hex Cap Screw G5
3	91338	6	3/4-10 Hex Locknut GB	16	43304	1	Lift Arm Kit
4	44557-2	1	Pushbeam	17	49645	2	1 x 4-3/4 Clevis Pin Kit
5	78780	1	Lift Frame Service Kit	18	67842-1	1	Pivot Bar Kit
6	43302	1	Light Channel, Red	19	67855	1	Pivot Bolt Kit
	74401	1	Light Channel, Silver	20	43153	1	Stacking Stop Kit
7	72618	1	Stand Assembly – DS (incl. item 9)	21	49033	2	1/4 Grade 43 Chain Assembly
8	72617	1	Stand Assembly – PS (incl. item 9)	22	90601	4	1/4 x 1-1/2 Cotter Pin
9	48523	1	Plunger w/Spring	23	22260	4	1 x 4-3/4 Clevis Pin
10	67847	2	Stand Shoe Kit	24	61246	1	Cable Boot
11	67844	2	Stand Lock Pin Kit	25†	69689	1	Label – SECURITY GUARD
12	68740	1	3/4 x 3-1/2 Clevis Pin Kit	26	43358	2	Label – Identity, UltraMount 2
13	76722	1	Receiver Kit – DS				
Item 5 78780 Lift Frame Service Kit							
		1	Lift Frame	26	43358	2	Label – Identity, UltraMount 2
25†	69689	1	Label – SECURITY GUARD	27		2	UHMW Round Flat Washer, Special
Item 10 67847 Stand Shoe Kit							
		1	Stand Shoe	28	67635	1	1/4 x 2 Roll Pin BP
Item 12 68740 3/4 x 3-1/2 Clevis Pin Kit							
		1	Pin	30	91911K	1	5/32 x 1-1/2 Cotter Pin
29	91147	1	3/4 Flat Washer				
Item 13 76722 Receiver Kit – DS							
		1	Receiver – DS	32	91965K-1	1	5/32 Hairpin Cotter
31	42498	1	Receiver Pin				
Item 14 76718 Receiver Kit – PS							
		1	Receiver – PS	32	91965K-1	1	5/32 Hairpin Cotter
31	42498	1	Receiver Pin				
Item 16 43304 Lift Arm Kit							
		1	Lift Arm	27		2	UHMW Round Flat Washer, Special
12	68740	1	3/4 x 3-1/2 Clevis Pin Kit	33	43351	2	3/4 x 2 Clevis Pin Kit
Item 18 67842-1 Pivot Bar Kit							
		1	Pivot Bar	19	67855	1	Pivot Bolt Kit
Item 19 67855 Pivot Bolt Kit							
		1	1-8 x 7 Hex Cap Screw G5	35		1	1-8 Hex Locknut GB
34		1	1-8 Hex Jam Nut G5				
Item 21 49033 1/4 Grade 43 Chain Assembly (2 per snowplow)							
		1	1/4 x 42 Grade 43 Chain	37	90453	1	3/8-16 x 1-1/2 U-Bolt G5
36	91333	2	3/8-16 Hex Locknut GB	ns		1	Plastic Tube
ns = not shown				G = Grade			

† Not used for Central Hydraulics.

MVP 3™ CENTER ASSEMBLY 74300/74400

Hydraulic Unit Components



MVP 3™ CENTER ASSEMBLY 74300/74400

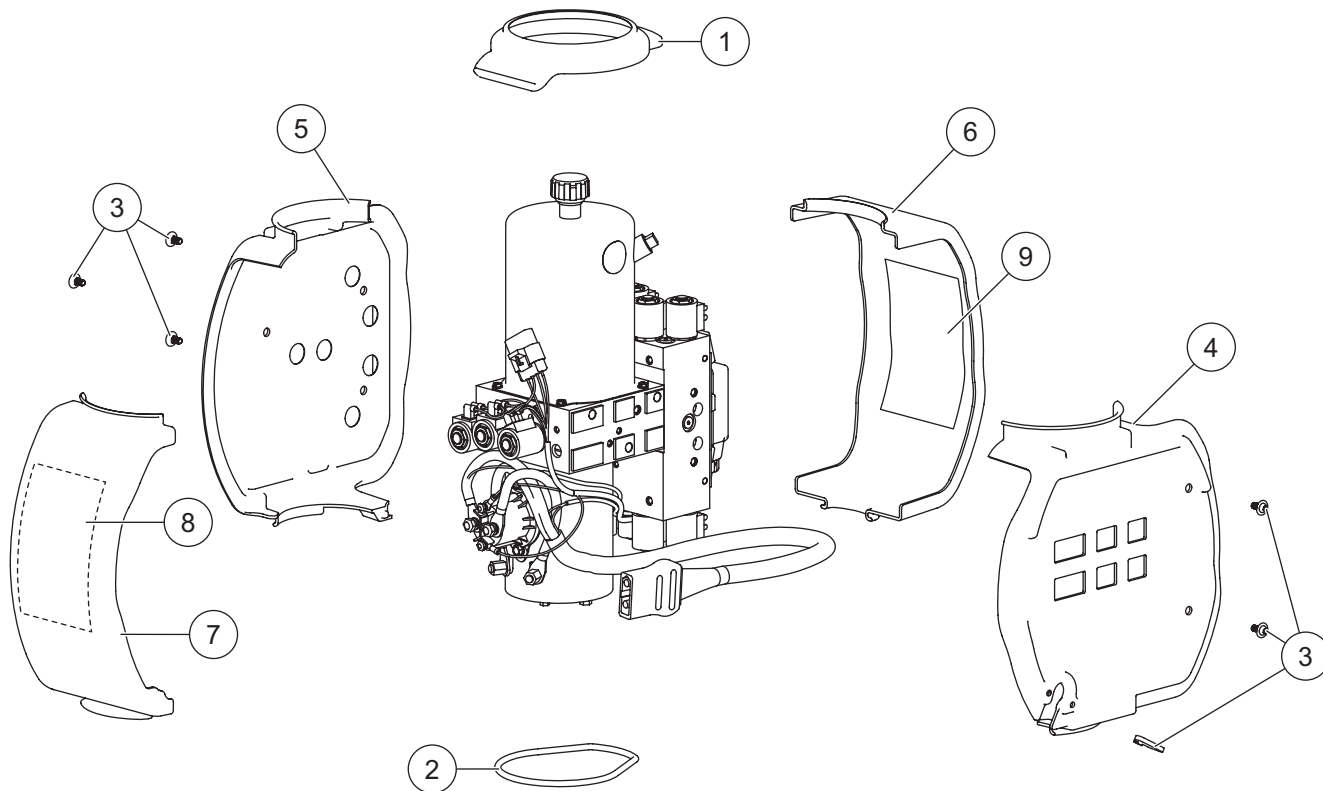
44320 Hydraulic Unit* 48257 Hydraulic Unit Service Kit* (Not used for Central Hydraulics)							
Item	Part	Qty	Description	Item	Part	Qty	Description
1	21727-2K	1	Breather Pressure Control	17	44369	4	Valve Lock Ring w/Screw
2	44327-2	1	Reservoir Kit	18	63943	4	#8-18 x 3/8 Tapping Screw
3	66607	4	#10-24 x 5/16 Machine Screw	19	48517	1	Quill Assembly, 1/2-20 Thread
4	92079	1	Plug, Square 3/8 NPTF	20	44344	1	Plug, Hex Socket –4 M ORB
5	66519	1	O-Ring 2-250	21	49138K-4	1-1/2	Relief Valve Kit (2 sets)
6	73897	1	Magnet	22	44338	2	Relief Valve Kit (2 sets)
7	90080	5	5/16-18 x 2-1/2 Hex Cap Screw G5	23	44334-1	4	Check Valve CV08-20
8	44328-2	1	Pump Kit	24	92960	4	Plug, Hex Socket –3 M ORB
9	56789-4	1	Suction Filter	25	29077	3	O-Ring -110
10	56274	1	O-Ring -013	26	29081	5	1/4-20 x 3 Socket Cap Screw
11	66515	1	Pump Shaft Seal	ns	29099	2	1/4-20 x 1/4 Hex Washer-Head Thread-Rolling Screw
12	21500-1	1	Motor Assembly, 4-1/2"	ns	44326	1	1/4-20 x 1/2 6-Lobe Round Washer-Head Screw (pkg of 5)
13	49230K-2	11	Coil w/Spade Terminals	ns	44355	2	1/4-20 x 5/8 Hex Washer-Head Thread-Rolling Screw
14	44332	5	Valve SVCV08-20 w/Nut				
15	49227K-2	4	Valve SV08-2004 w/Nut				
16	44336	2	Valve SF08-2015 w/Nut				
O-Ring Service Kits							
-	56657-4	-	Back-Up/O-Ring Kit**	-	49259-2	-	Seal Kit – Valves SV08-30, -31, -33, -40, -43, and SVCV08-20
-	49258-2	-	Seal Kit – Valves SV08-2004, CV08-20, SF08-2015				
ns = not shown			M = Male		G = Grade		

* Includes 44320 Hydraulic Unit, 44325 Cover Assembly (p. 10), and Plow-Side Electrical Components (p. 12).

** Does not contain O-rings for cartridge valves.

MVP 3™ CENTER ASSEMBLY 74300/74400

Hydraulic Unit Cover Assembly

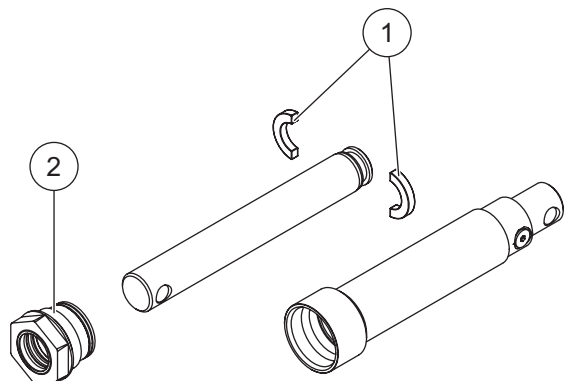


48175 Cover Assembly							
Item	Part	Qty	Description	Item	Part	Qty	Description
1	44352	1	Top Retainer Ring	6	44303	1	Cover, Side 3
2	44366	1	Bottom Retainer Ring	7	44304	1	Cover, Side 4
3	44326	1	1/4-20 x 1/2 6-Lobe Round Washer-Head Screw (pkg of 5) w/8" Cable Tie	8	44310	1	Label – Information (S1–S3)
4		1	Cover, Side 1	9	44319	1	Label – Information (S4–S11)
5		1	Cover, Side 2	ns	61536	1	Cable Tie 14"
				ns	43223	1	Label – MVP 3 Hydraulic Unit

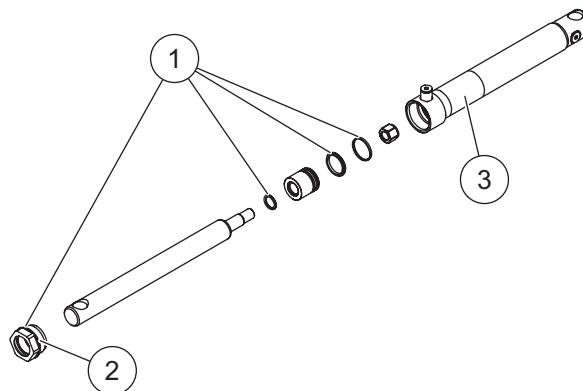
ns = not shown

MVP 3™ CENTER ASSEMBLY 74300/74310(CH)/74400

Lift and Angle Ram Components

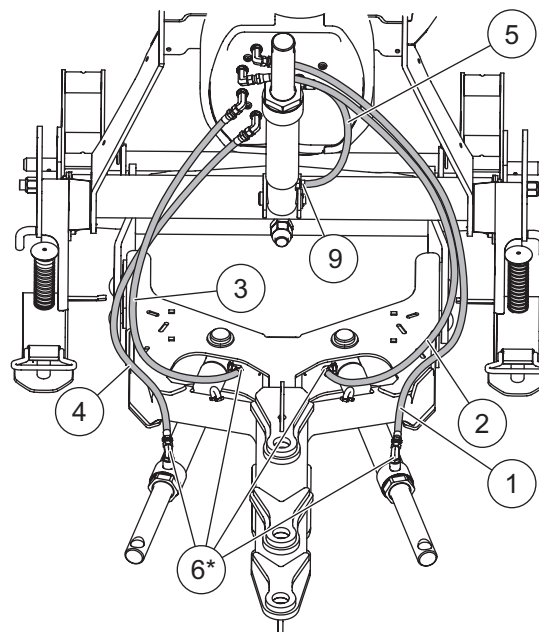
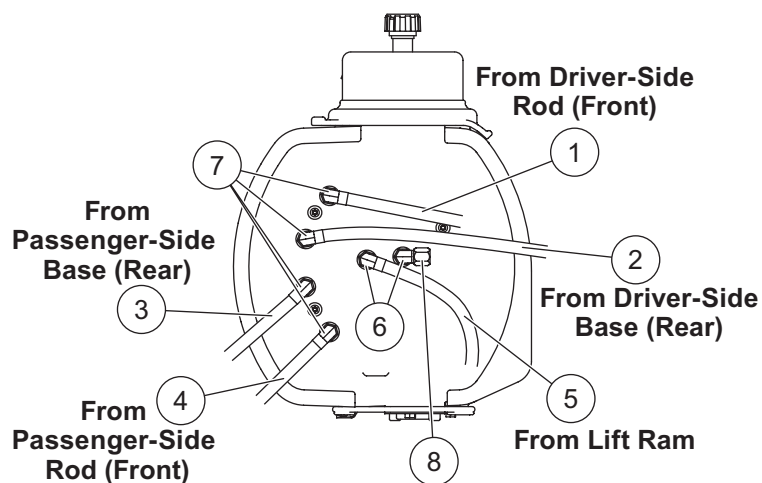


43149 Lift Ram Assembly 1-3/4 x 8			
Item	Part	Qty	Description
1	43134	1	Split Bearing
2	43135	1	Gland Nut Assembly



44341 Angle Ram Assembly 1-3/4 x 11 DA			
Item	Part	Qty	Description
1	44342	1	Seal Kit 1-3/4 DA Ram
2	48985	1	Gland Nut Assembly
3	68675	1	Label – UltraLock Double-Acting Cylinder

Hoses and Fittings



Hoses and Fittings							
Item	Part	Qty	Description	Item	Part	Qty	Description
1	56616-1	1	Hose, 1/4 x 42 w/F JIC Ends	7	64212-1	4	Elbow, Extra Long 90° –6 M JIC/ –6 M ORB
2	44350	1	Hose, 3/8 x 45 w/F JIC Ends	8	44346	1	Drain Cap, –6 F JIC
3	44351	1	Hose, 3/8 x 38 w/F JIC Ends	9	43750	1	Connector, Short –6 M JIC/–6 M ORB
4	56599	1	Hose, 1/4 x 36 w/F JIC Ends	ns	56823	2	Hose Wrap, Polyethylene
5	41094	1	Hose, 1/4 x 18 w/F JIC Ends	ns	98043	3	3/8-16 x 1 Button Cap Screw
6*	56615-1	6	Elbow, 90° –6 M JIC/–6 M ORB				

F = Female

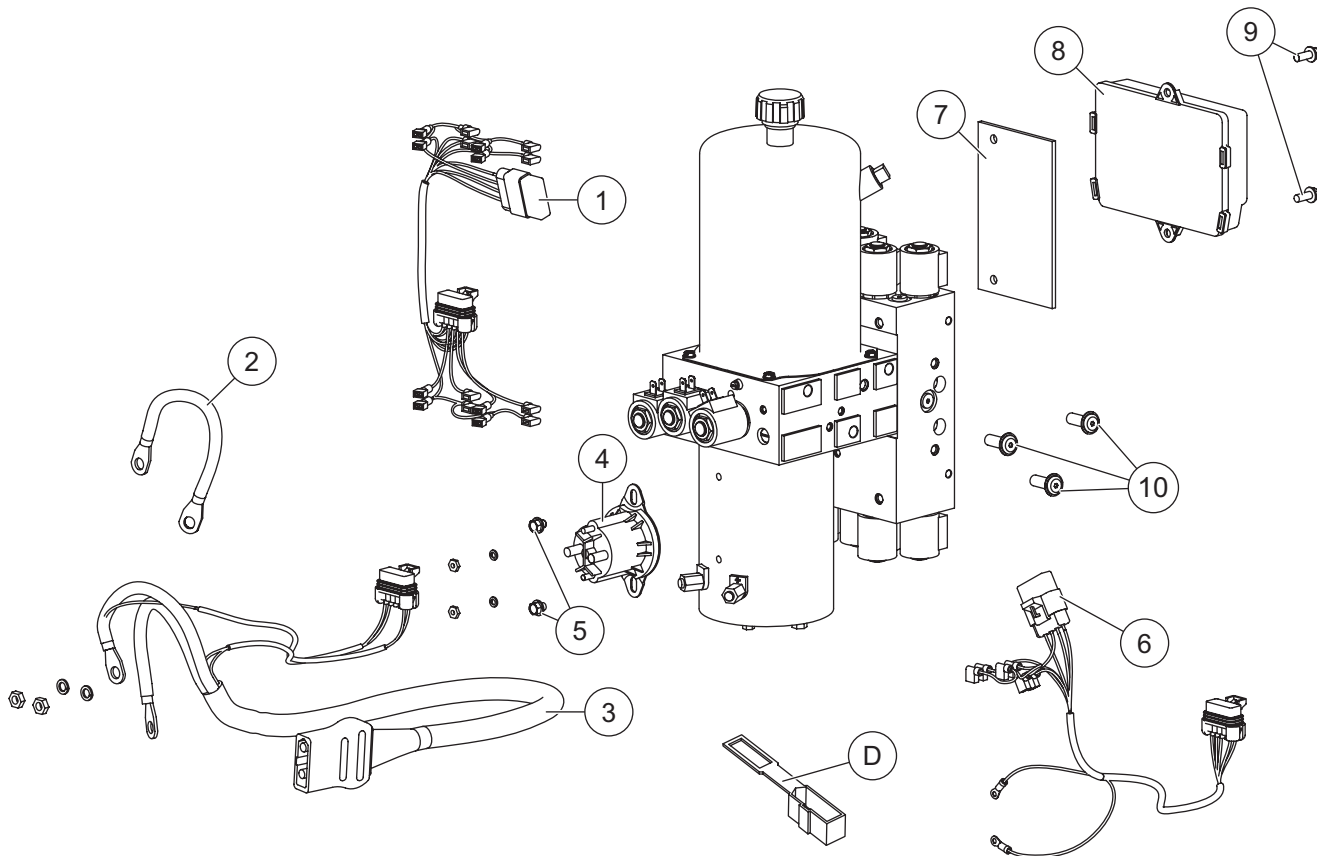
ns = not shown

M = Male

* Also used for Central Hydraulics, qty 5.

MVP 3™ CENTER ASSEMBLY 74300/74310(CH)/74400

Electrical Components



Plow-Side Electrical Components							
Item	Part	Qty	Description	Item	Part	Qty	Description
1	28583	1	Plow Control Harness, 8-Solenoid	8	44354-3	1	Plow Module
2	29071	1	Cable Assembly 8"	9	44355	2	1/4-20 x 5/8 Hex Washer-Head Thread-Rolling Screw
3	42015	1	Snowplow Battery Cable	10	98043	3	3/8-16 x 1 Button Cap Screw
4	42902	1	Motor Relay Kit FLEET FLEX System	ns	56099	1	Dielectric Grease
5	29099	2	1/4-20 x 1/4 Hex Washer-Head Thread-Rolling Screw	ns		4	Fuse, 4A Mini Automotive-Style (for items 1 and 6)
6	28581-1	1	Plow Control Harness, 3-Solenoid				
7	44308	1	Spacer Module				

ns = not shown

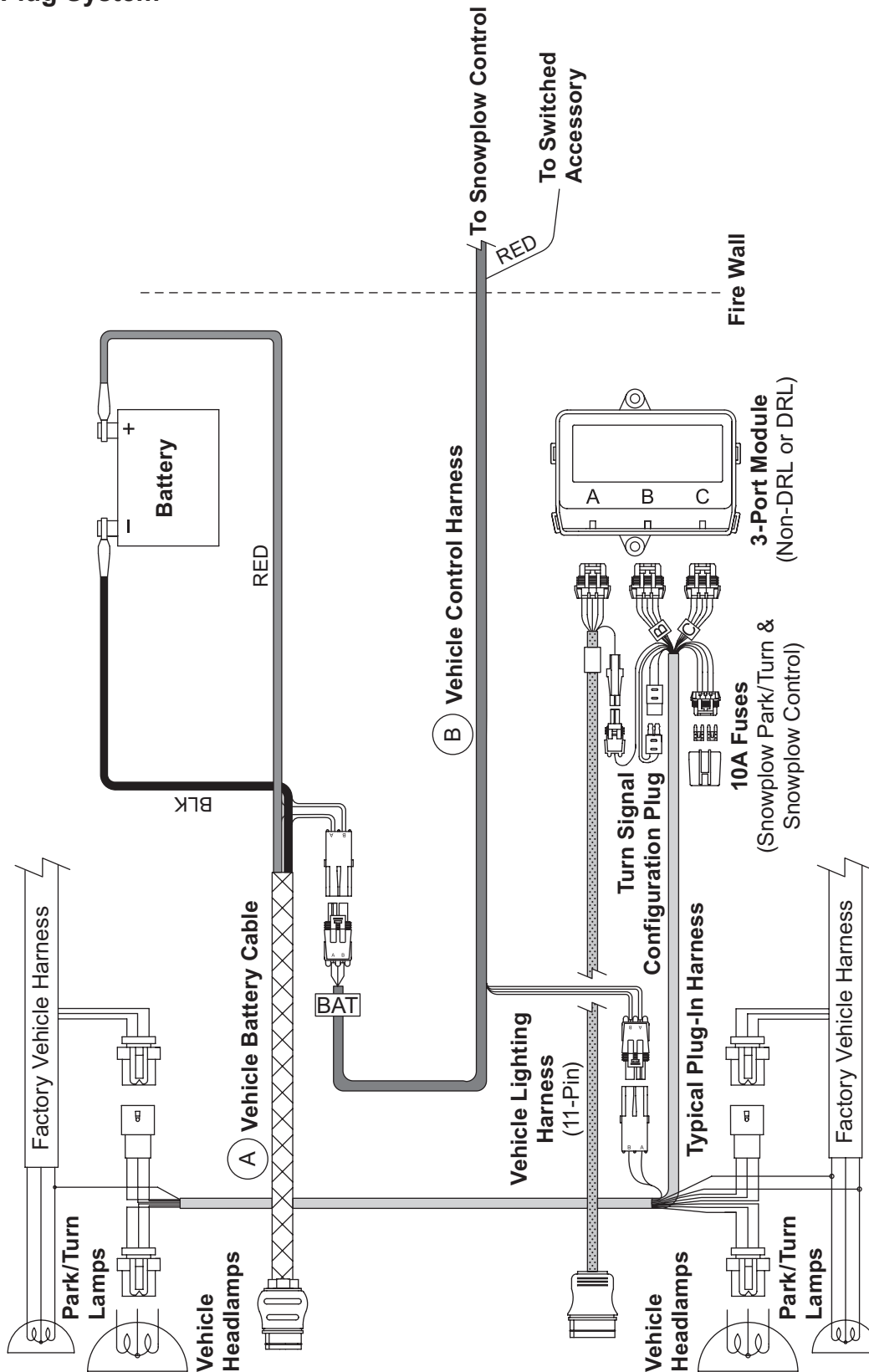
Vehicle-Side Electrical Components (Diagrams on following pages)							
Item	Part	Qty	Description	Item	Part	Qty	Description
A†	42014	1	Vehicle Battery Cable	D	61548K	1	Plug Cover Kit (shown w/plow-side electrical components)
B*	28587	1	Vehicle Control Harness				
C**	26498	1	Vehicle Control Harness – Central Hydraulics				

* See Vehicle-Side Harness Diagram – 3-Plug, 2-Port System.

** See Vehicle-Side Harness Diagram – Central Hydraulics.

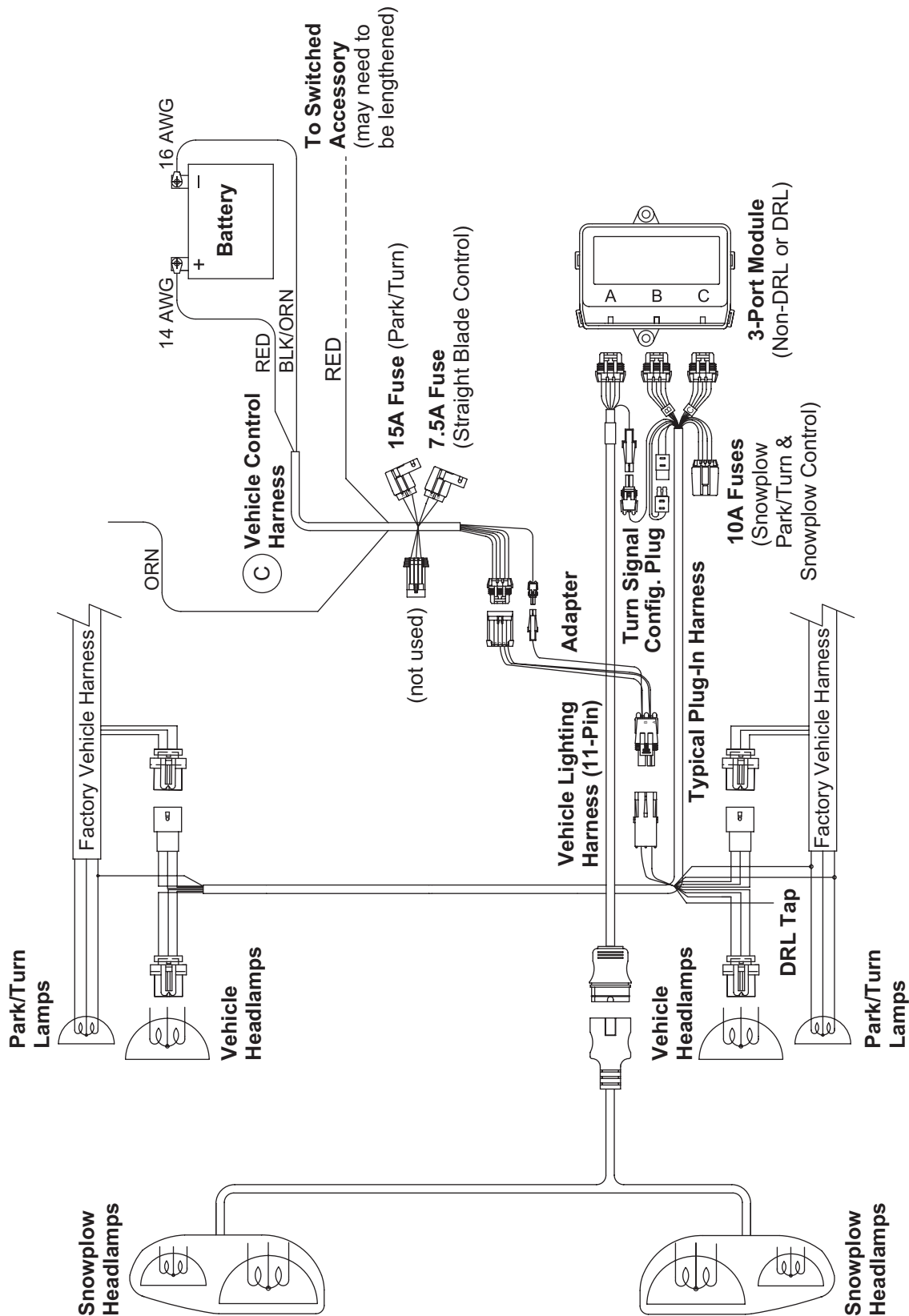
† Not used for Central Hydraulics.

Vehicle-Side Harness Diagram
3-Port, 2-Plug System



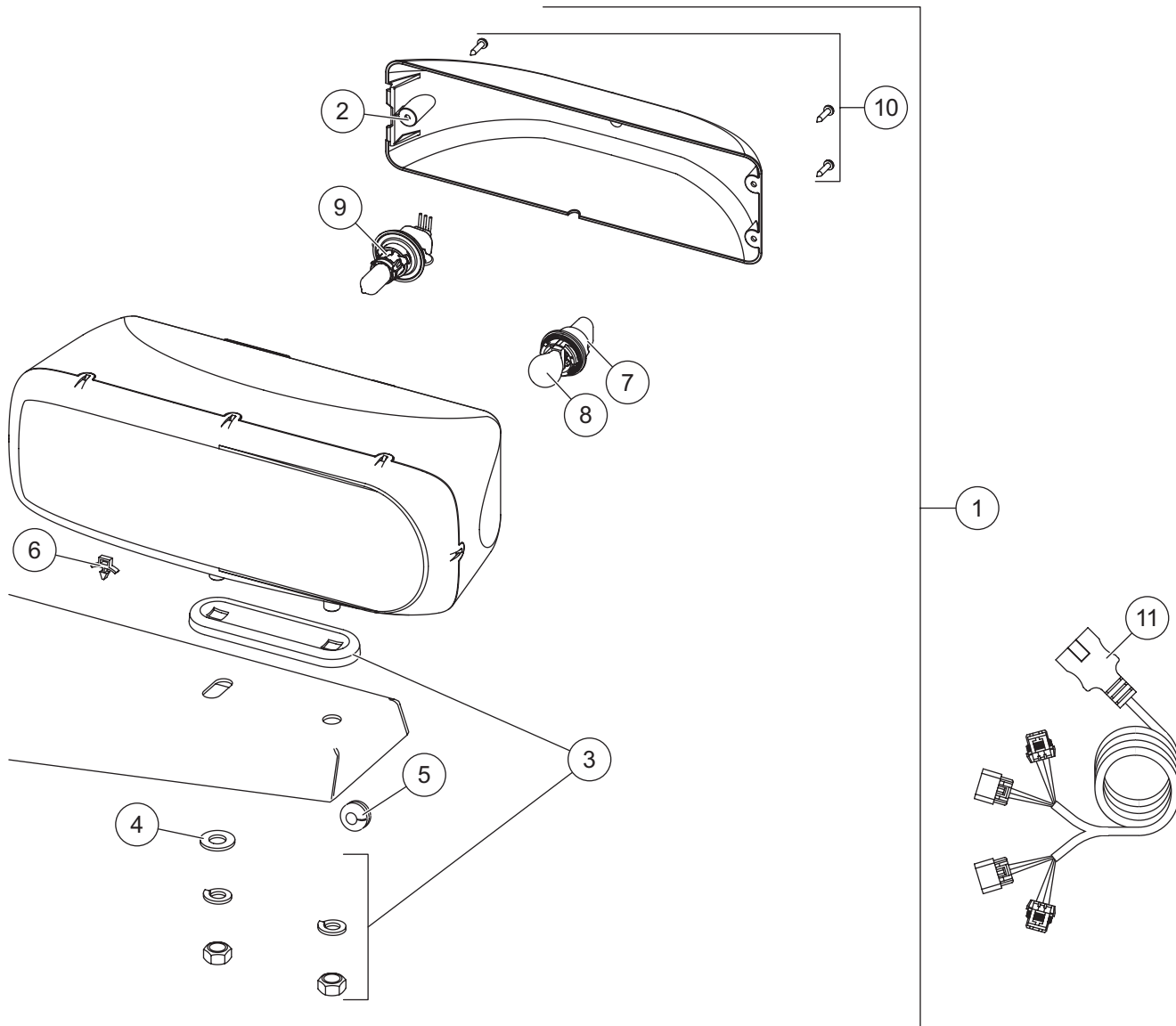
MVP 3™ CENTER ASSEMBLY 74310(CH)

Vehicle-Side Harness Diagram – Central Hydraulics



MVP 3™ CENTER ASSEMBLY 74300/74310(CH)/74400

Headlamp Kit



28800-1 Headlamp Kit (Pair)

Item	Part	Qty	Description	Item	Part	Qty	Description
1	28801-1	1	Headlamp Service Kit – DS	6	56595	7	Cable Tie Anchor
ns	28802-1	1	Headlamp Service Kit – PS	7	28805	2	Park/Turn Socket Service Kit
2	28803-1	2	Rear Cover Kit (fits 2- or 3-screw)	8		2	Park/Turn Bulb (trade no. 4157NAK)
3	28804	2	Mounting Hardware Kit	9	28806	2	Headlamp Bulb Service Kit H13
4	91105	2	1/2 Flat Washer	10	28808-1	2	Cover Screws Service Kit (pkg of 3)
5	66130	2	Rubber Grommet	11	28213W	1	Harness Service Kit

ns = not shown



Western Products
PO Box 245038
Milwaukee, WI 53224-9538
www.westernplows.com

 A DIVISION OF DOUGLAS DYNAMICS, LLC

Copyright © 2018 Douglas Dynamics, LLC. All rights reserved. This material may not be reproduced or copied, in whole or in part, in any printed, mechanical, electronic, film, or other distribution and storage media, without the written consent of Western Products. Authorization to photocopy items for internal or personal use by Western Products outlets or snowplow owner is granted.

Western Products reserves the right under its product improvement policy to change construction or design details and furnish equipment when so altered without reference to illustrations or specifications used. Western Products or the vehicle manufacturer may require or recommend optional equipment for snow removal. Do not exceed vehicle ratings with a snowplow. Western Products offers a limited warranty for all snowplows and accessories. See separately printed page for this important information. The following are registered (®) or unregistered (™) trademarks of Douglas Dynamics, LLC: CONTRACTOR GRADE®, MVP 3™, SECURITY GUARD™, ULTRAFINISH™, UltraMount® 2, WESTERN®.

Printed in U.S.A.