

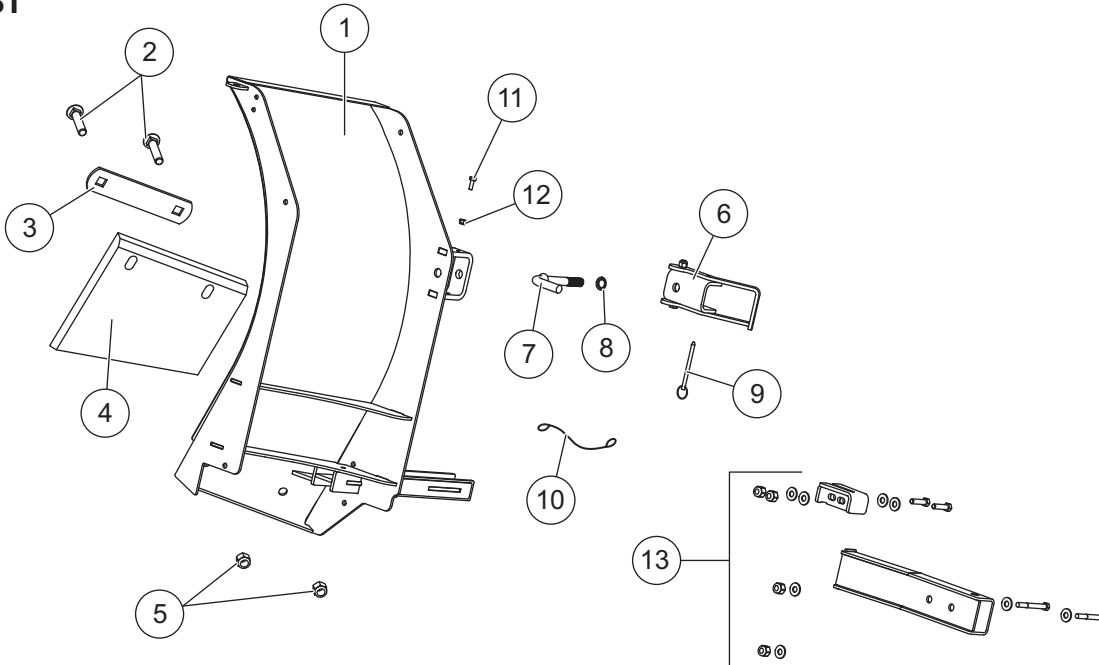


Western Products
PO Box 245038
Milwaukee, WI 53224-9538
www.westernplows.com

A DIVISION OF DOUGLAS DYNAMICS, LLC

43510
8-1/2' & 9-1/2' MVP 3™ Blades
BLADE WING EXTENSION KIT
Parts List & Installation Instructions

PARTS LIST



43510 Blade Wing Extension Kit							
Item	Part	Qty	Description	Item	Part	Qty	Description
1	43085	1	Blade Wing Extension – DS	7	42536	2	5/8-11 x 4-1/4 L-Bolt
ns	43086	1	Blade Wing Extension – PS	8	43553	2	5/8 Push Nut
2	90265	4	5/8-11 x 3-1/2 Carriage Bolt G5	9	43540	2	1/4 x 3-1/4 Cotterless Hitch Pin
3	41978	2	Cutting Edge Brace	10	43554	2	8" Lanyard, Hitch Pin
4	41964	1	Cutting Edge – DS	11	90461	2	1/4-20 x 3/4 Hex Cap Screw G5
ns	41965	1	Cutting Edge – PS	12	91331	2	1/4-20 Hex Locknut GB
5	91337	4	5/8-11 Hex Locknut GB	13	43082	2	Blade Stop Kit
6	42530	2	Cam Lock Assembly				
ns = not shown				G = Grade			

⚠ WARNING
Do not exceed GVWR or GAWR, including blade and ballast. The rating label is found on the driver-side vehicle door cornerpost.

⚠ CAUTION
Use standard methods and practices when attaching snowplow and installing accessories including proper personal protective safety equipment.

⚠ CAUTION
Read this document before installing the blade wing kit.

⚠ CAUTION
See your WESTERN® outlet/Web site for specific vehicle application recommendations before installation. Blade wing weight information may be found in the Selection List.

43510 BLADE WING EXTENSION KIT

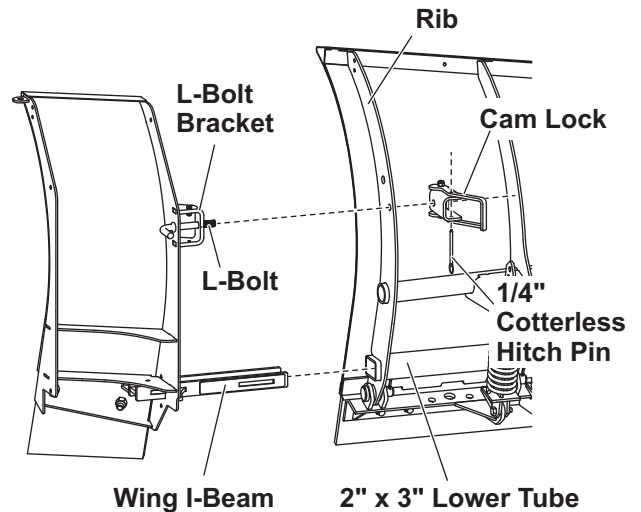
INSTALLATION INSTRUCTIONS

⚠ WARNING

Keep 8' clear of the blade when it is being raised, lowered or angled. Do not stand between vehicle and blade or directly in front of the blade. If the blade hits or drops on you, you could be seriously injured.

1. Park the vehicle on a smooth, level, hard surface, such as concrete. Lower the blade to the ground, and turn the control OFF. Disconnect the snowplow from the vehicle, or turn the vehicle ignition to the "OFF" position and remove the key.
2. To install the blade stops, refer to the 43082 Blade Stop Kit Installation Instructions included with that kit.
3. Insert the wing I-beam into the 2" x 3" lower tube of the blade. Align the L-bolt with the hole in the rib of the blade, and slide the wing in until the L-bolt bracket is flush to the rib.

4. With the cam lock in the open position, thread it onto the L-bolt.



5. Once the cam lock is tight against the blade rib, rotate the cam into the locked position and secure it with the 1/4" cotterless hitch pin.
6. Repeat Steps 3–5 on the other side.

Copyright © 2013 Douglas Dynamics, LLC. All rights reserved. This material may not be reproduced or copied, in whole or in part, in any printed, mechanical, electronic, film or other distribution and storage media, without the written consent of Western Products. Authorization to photocopy items for internal or personal use by Western Products outlets or snowplow owner is granted.

Western Products reserves the right under its product improvement policy to change construction or design details and furnish equipment when so altered without reference to illustrations or specifications used. Western Products or the vehicle manufacturer may require or recommend optional equipment for snow removal. Do not exceed vehicle ratings with a snowplow. Western Products offers a limited warranty for all snowplows and accessories. See separately printed page for this important information. The following are registered (®) or unregistered (™) trademarks of Douglas Dynamics, LLC: MVP 3™, UltraMount®2, WESTERN®.

Printed in U.S.A.