



MIDWEIGHT™, PRO-PLOW® Series 2 and POLY PRO-PLOW® Series 2 Snowplow

**Poly Blade Assemblies 72400, 72450, 74330
Steel Blade Assemblies 72308, 72381, 72390, 74340
H,A&L Center Assembly 75200
H,A&L Center Assembly, Central Hydraulics 75210**

Parts List



MIDWEIGHT™ BLADE ASSEMBLY 4

PRO-PLOW® Series 2 BLADE ASSEMBLY 6

MIDWEIGHT AND PRO-PLOW Series 2 CENTER ASSEMBLY 8

 Lift Frame and A-Frame Components 8

 Hydraulic Unit Components 10

 Lift and Angle Ram Components 12

 Hoses and Fittings 12

 Electrical Components 13

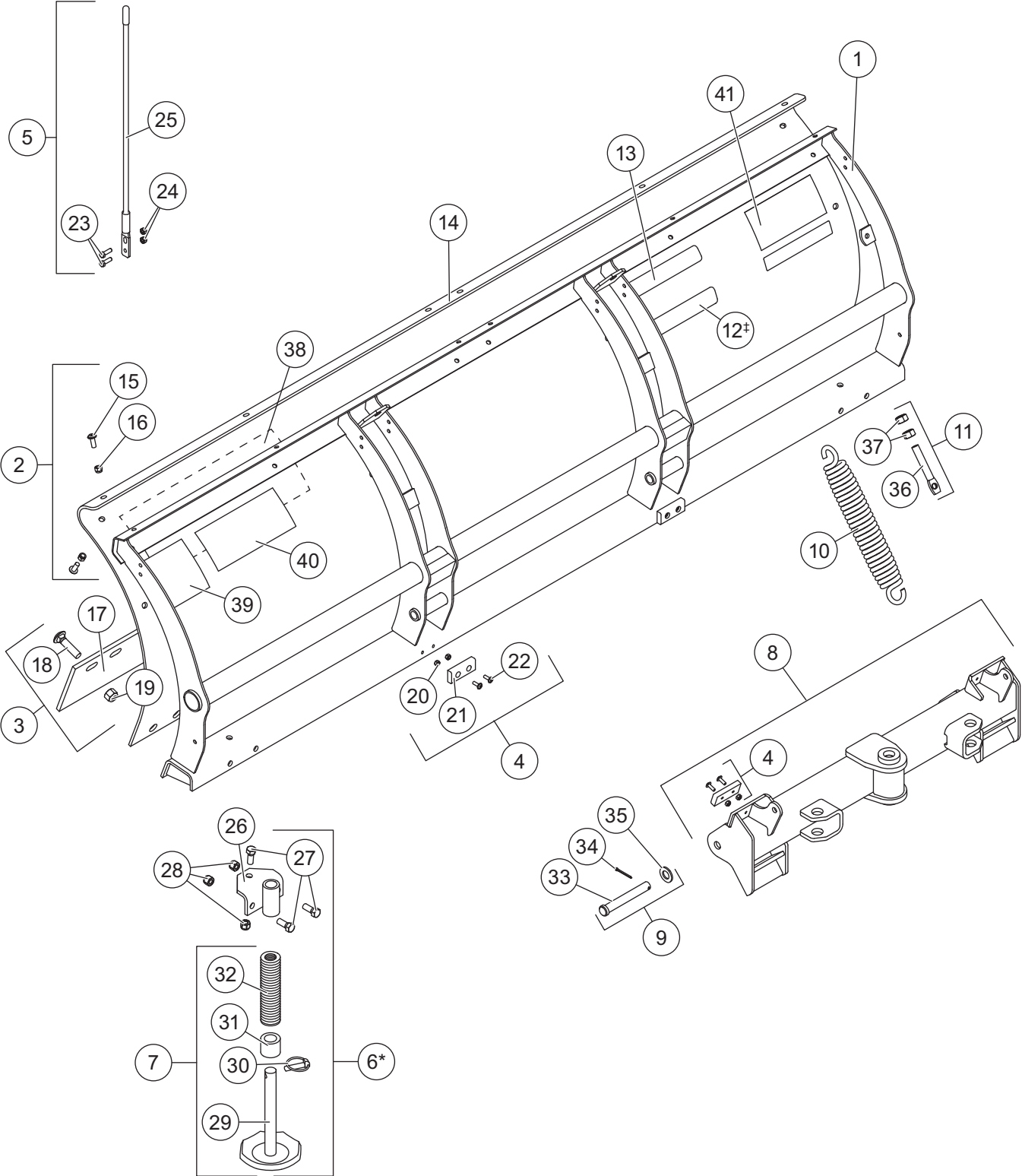
 Vehicle-Side Harness Diagram – 3-Port, 2-Plug System 14

 Vehicle-Side Harness Diagram – Central Hydraulics 15

 Headlamp Kit 16

MIDWEIGHT™ BLADE ASSEMBLY 74330/74340

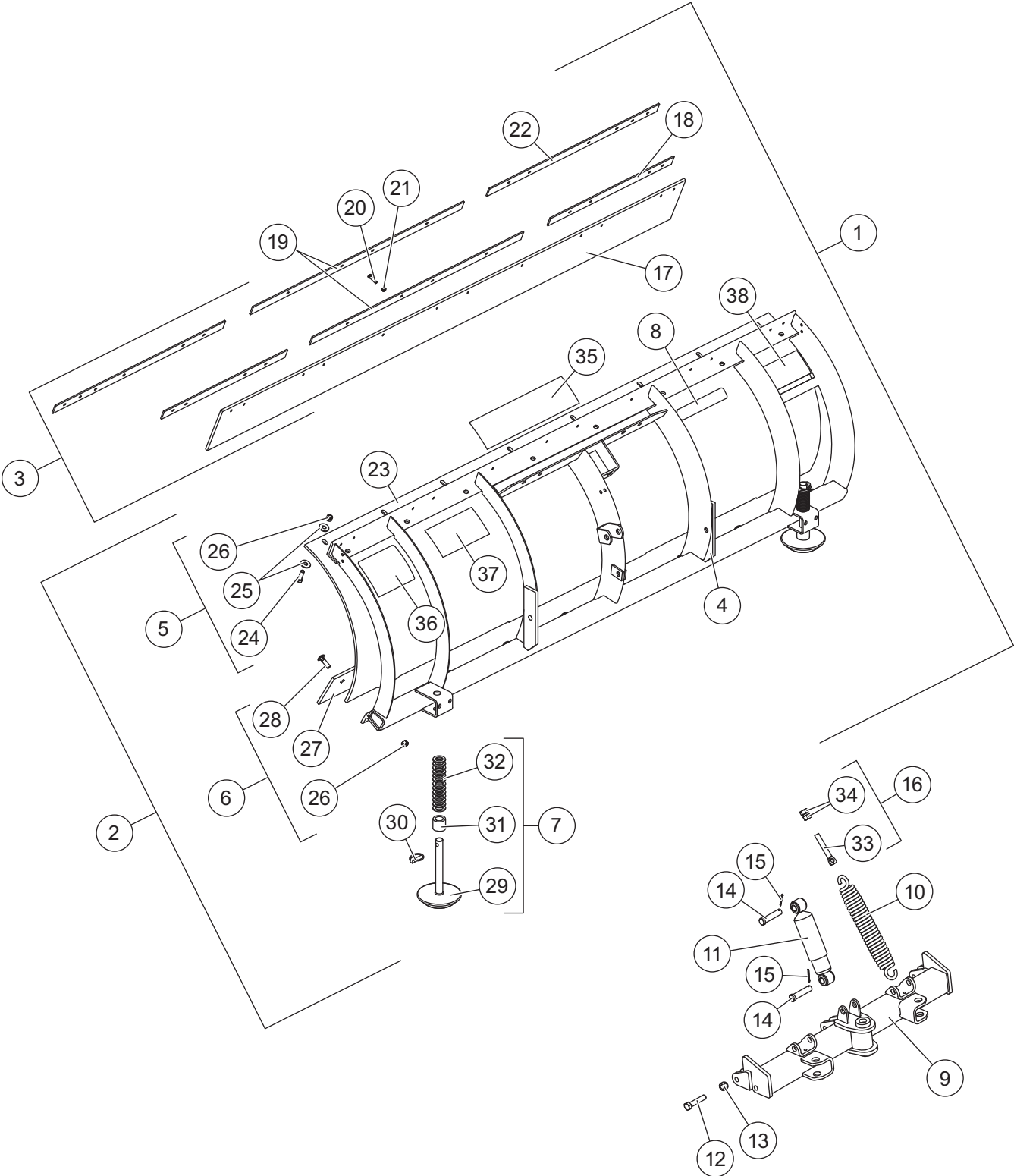
Blade Assembly Components



MIDWEIGHT™ BLADE ASSEMBLY 74330/74340

MIDWEIGHT Blade Components							
Item	Part	Qty	Description	Item	Part	Qty	Description
1†	64333	1	Blade Frame, 7.5' Poly	8	49531	1	Quadrant, MIDWEIGHT
2†	28597	1	7.5' Poly Moldboard Kit w/Fasteners	9	28593	2	3/4 x 5-3/8 Clevis Pin Kit
ns‡	64360	1	Blade, 7.5' Steel	10	23039	2	Trip Spring
3	28594	1	7.5' Cutting Edge Kit w/Fasteners	11	66421	2	5/8-11 x 4 Eyebolt w/Nuts Kit
4	63976	4	Push Stop Kit	12‡	28404	1	Label – Identity, ULTRAFINISH™
5	62265	1	Blade Guide Kit	13	28598	1	Label – Identity, MIDWEIGHT
6*	64392	2	Shoe Kit	ns	43362	1	Blade Label Kit – UltraMount® 2
7	49067	2	Disc Shoe Assembly				
Item 2† 28597 7.5' Poly Moldboard Kit w/Fasteners							
14		1	Moldboard – 7.5' Poly	16	91333	12	3/8-16 Hex Locknut GB
15	98043	12	3/8-16 x 1 Button Cap Screw				
Item 3 28594 7.5' Cutting Edge Kit w/Fasteners							
17	64760	1	7.5' Cutting Edge	19	91337	10	5/8-11 Hex Locknut GB
18	5572	10	5/8-11 x 2 Carriage Bolt G5				
Item 4 63976 Push Stop Kit							
20		2	14-20 Hex Jam Locknut GB	22		2	14-20 x 3/4 Button Cap Screw
21		1	Bumper				
Item 5 62265 Blade Guide Kit							
23	68494	4	5/16-18 x 1 Hex Cap Screw G5	25	62263	2	Blade Guide, Poly
24	91332	4	5/16-18 Hex Locknut GB				
Item 6* 64392 Shoe Kit							
7	49067	2	Disc Shoe Assembly	27	90575	6	1/2-13 x 1-1/4 Hex Cap Screw G5
26	64388	2	Shoe Bracket	28	91335	6	1/2-13 Hex Locknut GB
Item 7 49067 Disc Shoe Assembly							
29		1	Disc Shoe	31	60045	1	Spacer
30		1	7/16 x 1-3/4 Linchpin	32	91192	26	Round Flat Washer, Special
Item 9 28593 3/4 x 5-3/8 Clevis Pin Kit							
33		1	3/4 x 5-3/8 Clevis Pin	35	91147	1	3/4 Flat Washer
34	91911	1	5/32 x 1-1/2 Cotter Pin				
Item 11 66421 5/8-11 x 4 Eyebolt w/Nuts Kit							
36	90490	1	5/8-11 x 4 Eyebolt	37	91416	2	5/8-11 Hex Nut GB
ns 43362 Blade Label Kit – UltraMount 2							
38	69489	1	Label – Identity, WESTERN®	40	43360	1	Label – UltraMount 2 Attach/Detach
39	59900	1	Label – Warning/Caution, Snowplow	41	44451	1	Label – Identity, WESTERN 8.31"
† = Poly Blades Only ns = not shown ‡ = Steel Blades Only G = Grade * = Accessory Only							

Blade Assembly Components

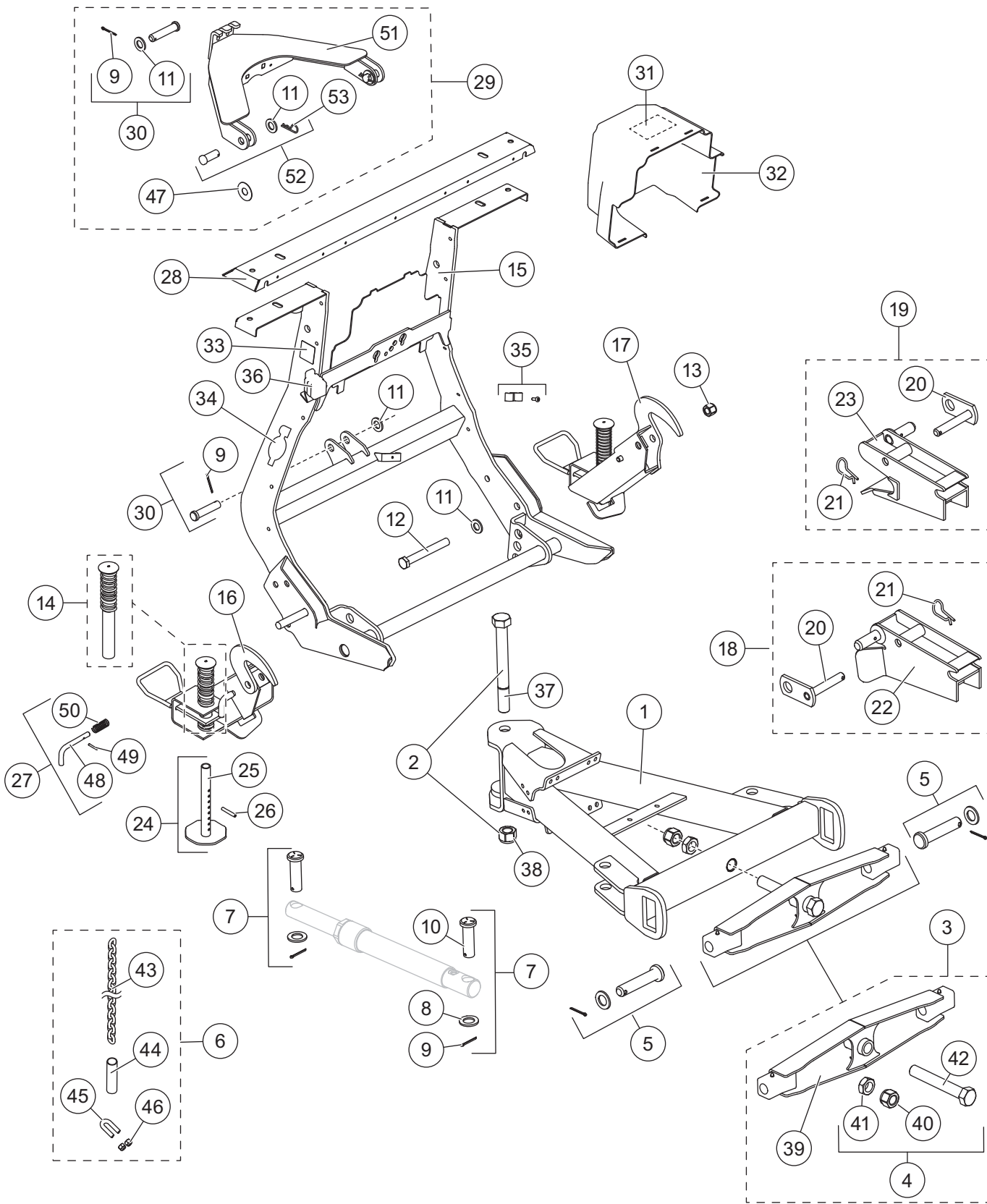


PRO-PLOW® Series 2 BLADE ASSEMBLY 72400/72450/72308/72381/72390

PRO-PLOW® Series 2 and POLY PRO-PLOW® Series 2 Blade Assembly Components							
Item	Part	Qty	Description	Item	Part	Qty	Description
1†	62400†	1	7-1/2' Blade Assy w/Deflector – Poly	7	49071	2	Disc Shoe Assembly
	62450†	1	8' Blade Assembly w/Deflector– Poly	8‡	28404	1	Label – Identity, ULTRAFINISH™
2	62395†	1	7-1/2' Blade Assembly – Poly	9	68290	1	Quadrant, PRO-PLOW Series 2
	62420†	1	8' Blade Assembly – Poly	10	23039	4	Trip Spring
ns‡	60381‡	1	7-1/2' Blade Assembly – Steel	11	63979	1	Shock Absorber Assembly
	60390‡	1	8' Blade Assembly – Steel	12	90132	2	5/8-11 x 3 Hex Cap Screw G5
	60308‡	1	8-1/2' Blade Assembly – Steel	13	91337	2	5/8-11 Hex Locknut GB
3†	62396†	1	7-1/2' Rubber Deflector Assembly	14	93063	2	3/4 x 3-1/4 Clevis Pin
	62402†	1	8' Rubber Deflector Assembly	15	91911	2	5/32 x 1-1/2 Cotter Pin
4†	62350†	1	7-1/2' Blade Frame	16	66421	4	5/8-11 x 4 Eyebolt Kit
	62415†	1	8' Blade Frame	ns	43362	1	Blade Label Kit – UltraMount® 2
5†	49322†	1	7-1/2' Moldboard Kit				
	49327†	1	8' Moldboard Kit				
6	49312†	1	7-1/2' Cutting Edge Assembly – Poly				
	49328†	1	8' Cutting Edge Assembly – Poly				
	49088‡	1	7-1/2' Cutting Edge Assembly – Steel				
	49089‡	1	8' Cutting Edge Assembly – Steel				
	49086‡	1	8-1/2' Cutting Edge Assembly – Steel				
Item 2				62395 or 62420 Blade Assembly			
4†		1	Blade Frame	6		1	Cutting Edge Assembly
5†		1	Moldboard Kit	7	49071	2	Disc Shoe Assembly
Item 3†				62396 7-1/2' Rubber Deflector Assembly			
17		1	7-1/2' Rubber Deflector	20	90048	12	5/16-18 x 1-1/4 Hex Cap Screw G5
18	64803	2	7-1/2' Retainer, Outer	21	91332	12	5/16-18 Hex Locknut GB
19	64802	1	Retainer, Inner				
Item 3†				62402 8' Rubber Deflector Assembly			
ns		1	8' Rubber Deflector	21	91332	12	5/16-18 Hex Locknut GB
19	64802	1	Retainer, Inner	22	64801	2	8'-9' Retainer, Outer
20	90048	12	5/16-18 x 1-1/4 Hex Cap Screw G5				
Item 5†				49322 or 49327 Moldboard Kit			
23		1	Plastic Moldboard	25	91105	16	1/2 Flat Washer Type A Wide
24	90210	8	1/2-13 x 1-1/2 Hex Cap Screw G5	26	91335	8	1/2-13 Hex Locknut GB
Item 6				49312, 49328, 49088, 49089 or 49086 Cutting Edge Assembly			
26	91335	8	1/2-13 Hex Locknut GB	28	90238	8	1/2-13 x 1-3/4 Carriage Bolt G8
27		1	Cutting Edge				
Item 7				49071 Disc Shoe Assembly			
29		1	Disc Shoe	31	60045	1	Spacer
30		1	7/16 x 1-3/4 Linchpin	32	91192	26	1" Flat Washer Special
Item 16				66421 5/8-11 x 4 Eyebolt w/Nuts Kit			
33	90490	1	5/8-11 x 4 Eyebolt	34	91416	2	5/8-11 Hex Nut GB
ns				43362 Blade Label Kit – UltraMount 2			
35	69489	1	Label – Identity, WESTERN®	37	43360	1	Label – UltraMount 2 Attach/Detach
36	59900	1	Label – Warning/Caution, Snowplow	38	44451	1	Label – Identity, WESTERN 8.31"
ns = not shown		† = Poly Blades Only		‡ = Steel Blades Only		G = Grade	

MIDWEIGHT™ & PRO-PLOW® Series 2 CENTER ASSEMBLY 75200/75210(CH)

Lift Frame and A-Frame Components

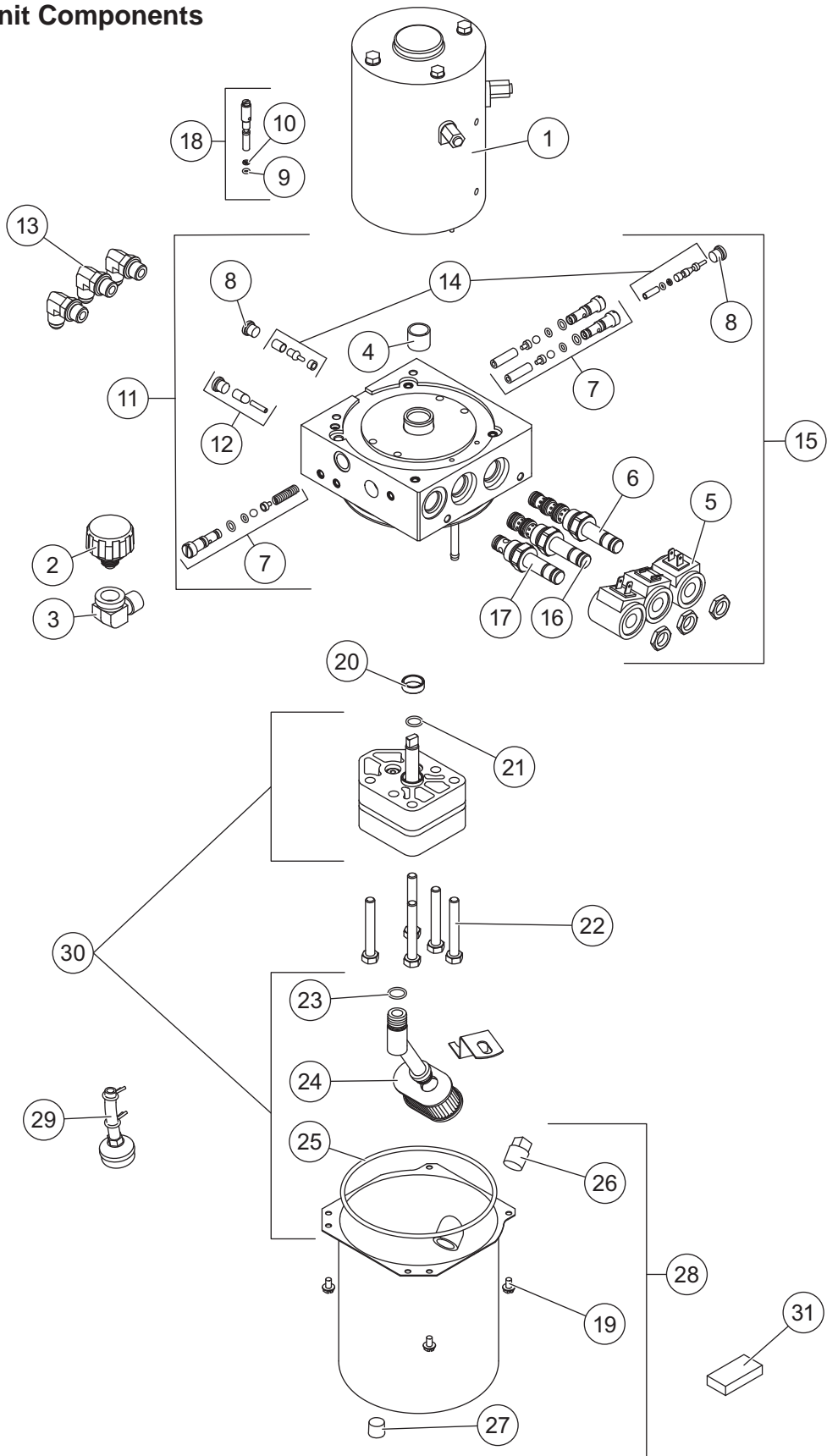


MIDWEIGHT™ & PRO-PLOW® Series 2 CENTER ASSEMBLY 75200/75210(CH)

MIDWEIGHT and PRO-PLOW Series 2 Lift Frame & A-Frame Components							
Item	Part	Qty	Description	Item	Part	Qty	Description
1	68291	1	A-Frame	20	42498	2	Pin, Receiver
2	69494	1	Nose Plate Bolt Kit	21	91965K-1	2	5/32 Hairpin Cotter
3	67842-1	1	Pivot Bar Kit	22		1	Receiver – DS
4	67855	1	Pivot Bolt Kit	23		1	Receiver – PS
5	49645	2	Pivot Bar Pin Kit	24	67847	2	Stand Shoe Kit
6	49033	2	1/4 Grade 43 Chain Assembly	25		1	Stand Shoe
7	63973	4	Ram Pin Kit	26	67635	1	1/4 x 2 Roll Pin
8	91192	6	Round Flat Washer, Special	27	67844	2	Stand Lock Pin Kit
9	91911K	2	5/32 x 1-1/2 Cotter Pin Kit (pkg of 4)	28	43302	1	Light Channel
10	93074	4	1 x 3-1/4 Clevis Pin	29	43304	1	Lift Arm Kit
11	91147	6	3/4 Flat Washer	30	68740	2	3/4 x 3-1/2 Clevis Pin Kit
12	66451	2	3/4-10 x 6 Hex Cap Screw G5	31	43353	1	Label – Information, Straight Blade Hydraulic
13	91338	2	3/4-10 Hex Locknut GB	32†	68314-1	1	Hydraulic Unit Cover (incl. Item 31)
14	48523	2	Plunger w/Spring	33	69689	1	Label – SECURITY GUARD™
15	43303	1	Lift Frame	34	43358	2	Label – Identity, UltraMount® 2
16	67845	1	Stand Assembly – DS	35	49479-1	1	Hose Bracket Kit
17	67846	1	Stand Assembly – PS	36	61246	1	Cable Boot
18	42496	1	Receiver Kit – DS				
19	42497	1	Receiver Kit – PS				
Item 2				69494 Nose Plate Bolt Kit			
37		1	1-8 x 9 Hex Cap Screw G8	38		1	1-8 Hex Locknut GB
Item 3				67842-1 Pivot Bar Kit			
4	67855	1	Pivot Bolt Kit	39		1	Pivot Bar
Item 4				67855 Pivot Bolt Kit			
40		1	1-8 Hex Locknut GB	42	67552	1	1-8 x 7 Hex Cap Screw G5
41	67748	1	1-8 Hex Jam Nut G5				
Item 9				49033 1/4 Grade 43 Chain Assembly			
43		1	1/4 x 42 Grade 43 Chain	45	90571	1	3/8-16 x 1-1/2 U-Bolt
44	65508	1	Plastic Tube	46	91333	2	3/8-16 Hex Locknut GB
Item 18				43303 Lift Frame			
		1	Lift Frame	34	43358	2	Label – Identity, UltraMount 2
33	69689	1	Label – SECURITY GUARD	47		2	UHMW Round Flat Washer, Special
Item 30				67844 Stand Lock Pin Kit			
48		1	Lock Pin	50	67726	1	Spring Lock Pin
49	67700	1	3/16 x 1-1/4 Roll Pin				
Item 32				43304 Lift Arm Kit			
12	91911K	1	5/32 x 1-1/2 Cotter Pin Kit (pkg of 4)	51		1	Lift Arm
14	91147	3	3/4 Flat Washer	52	43351	2	3/4 x 2 Clevis Pin Kit
30	68740	1	3/4 x 3-1/2 Clevis Pin Kit	53	91962	2	1/8 Hairpin Cotter
47		2	UHMW Round Flat Washer, Special				
ns = not shown				G = Grade			

† Not used for Central Hydraulics.

Hydraulic Unit Components



MIDWEIGHT™ & PRO-PLOW® Series 2 CENTER ASSEMBLY 75200

42345 Hydraulic Unit 42348 Hydraulic Unit Service Kit* (Not used for Central Hydraulics)							
Item	Part	Qty	Description	Item	Part	Qty	Description
1	21500-1	1	Motor, 4-1/2"	17	49227K-2	1	Valve, 2-Way w/Nut
2	21727-2K	1	Breather Pressure Control	18	56662	1	Quill Assembly
3	21726K	1	Elbow, Street, 90° 3/8 M NPTF/ 3/8 F NPTF	19	66607	4	10-24 x 5/16 Machine Screw Slotted Hex Washer Head
4**	64596-1	1	Sleeve Bearing & Shaft Seal Kit	20‡	66515	1	Pump Shaft Seal
5	49230K-2	3	Coil w/Spades	21	56274	1	O-Ring –013
6	49229K-1	1	Cartridge Valve, 4-Way w/Nut	22	90073	5	5/16-18 x 2-1/4 Hex Cap Screw
7	49138K-3	1	Relief Valve Kit (2 sets)	23	56416	1	O-Ring –014
8	92960	2	Plug, Hex Socket –3 M ORB	24	56789-3	1	Suction Filter
9	25622	1	O-Ring –006	25	66519	1	O-Ring –2-250
10	56315	1	Back-Up Ring –006	26	92079	1	Plug, Square 3/8 NPTF
11	42346	1	Manifold Assembly	27	92095	1	Plug, Hex Socket 1/4 NPTF w/ Thread Sealant – SAE 130109N/P
12	56507	1	Bypass Check Valve Kit	28	21830	1	Reservoir Kit
13	56615-1	3	Elbow, 90° –6 M JIC/–6 M ORB	29	66405	1	Return Screen Assembly
14	49226K	1	Poppet Check Valve Kit	30	21501-1	1	Hydraulic Pump Kit
15	42347	1	Valve Manifold Assembly	31	73897	1	Magnet
16	66608-1	1	Cartridge Valve, 3-Way w/Nut				
O-Ring Service Kits							
–	56657-3	–	O-Ring & Back-Up Ring Kit	–	49259-2	–	Seal Kit, 3-Way & 4-Way Valve
–	49258-2	–	Seal Kit, 2-Way Valve				

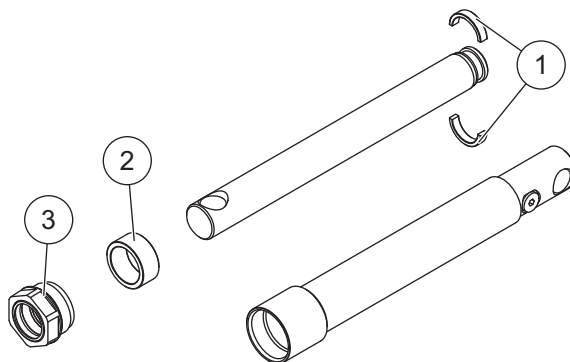
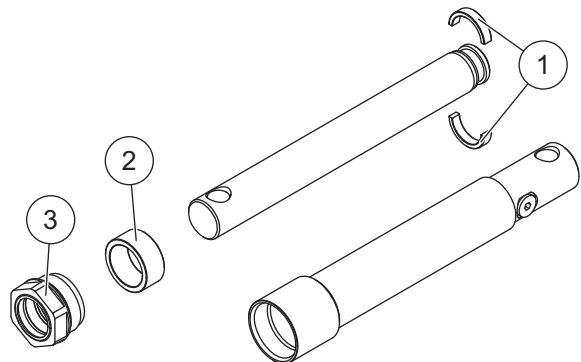
* Includes 42345 Hydraulic Unit and Plow-Side Electrical Components (p. 13).

** Use 64589 tool for bearing sleeve replacement (includes 1 bearing).

‡ Use 28856 tool for pump shaft seal replacement (includes 1 seal).

MIDWEIGHT™ & PRO-PLOW® Series 2 CENTER ASSEMBLY 75200/75210(CH)

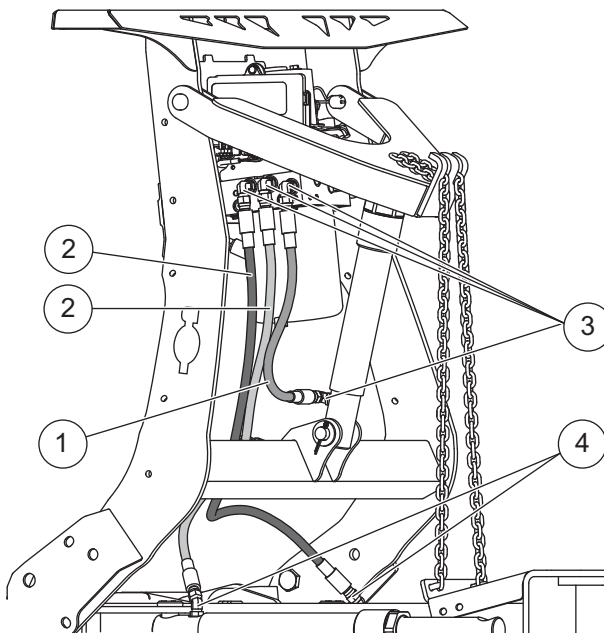
Lift and Angle Ram Components



56538K Lift Ram Assembly 1-1/2 x 8			
Item	Part	Qty	Description
1	64650	1	Split Bearing Kit 1-1/2"
2	56537	1	Spacer
3	48985	1	Gland Nut Assembly

64706K Angle Ram Assembly 1-1/2 x 10			
Item	Part	Qty	Description
1	64650	1	Split Bearing Kit 1-1/2"
2	56537	1	Spacer
3	48985	1	Gland Nut Assembly

Hoses and Fittings

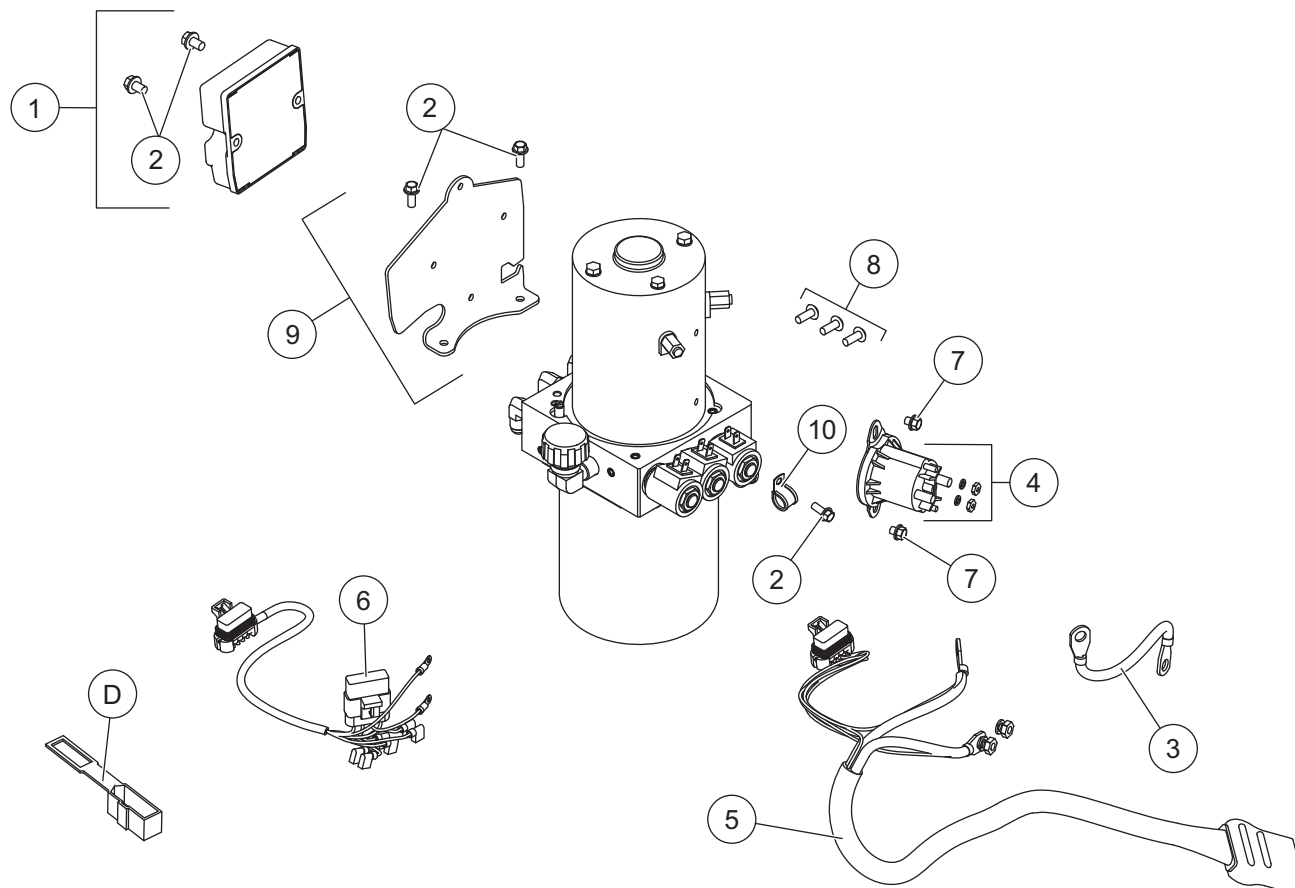


Hoses and Fittings							
Item	Part	Qty	Description	Item	Part	Qty	Description
1†	41094	1	Hose, 1/4 x 18 w/F JIC Ends	3	56615-1	4	Elbow, 90° – 6 M JIC/–6 M ORB
2†	49532	2	Hose, 3/8 x 36 w/F JIC Ends	4	26694	2	Elbow, 45° – 6 M JIC/–6 M ORB
F = Female				M = Male or Metric			

† Not used for Central Hydraulics.

MIDWEIGHT™ & PRO-PLOW® Series 2 CENTER ASSEMBLY 75200/75210(CH)

Electrical Components



Plow-Side Electrical Components						
Item	Part	Qty	Description	Item	Part	Qty Description
1	49567	1	Plow Module, 2-Port	7	29099	2 1/4-20 x 1/4 Hex Washer-Head Thread-Rolling Screw
2	44355	5	1/4-20 x 5/8 Hex Washer-Head Thread-Rolling Screw	8	98043	3 3/8-16 x 1 Button Cap Screw
3	29071	1	Cable Assembly 8"	9	42287	1 Bracket – Plow Module
4	42902	1	Motor Relay Kit FLEET FLEX	10	65340	1 Clamp Loop #10
5	42015	1	Snowplow Battery Cable	ns	56099	1 Dielectric Grease
6	28581-1	1	Harness, Plow Control, 3-Solenoid			

ns = not shown

Vehicle-Side Electrical Components (Diagrams on following pages)						
A†	28587	1	Vehicle Control Harness	D	61548K	1 Plug Cover Kit (shown with plow-side electrical components)
B†	42014	1	Vehicle Battery Cable			
C**	26498	1	Vehicle Control Harness – Central Hydraulics			

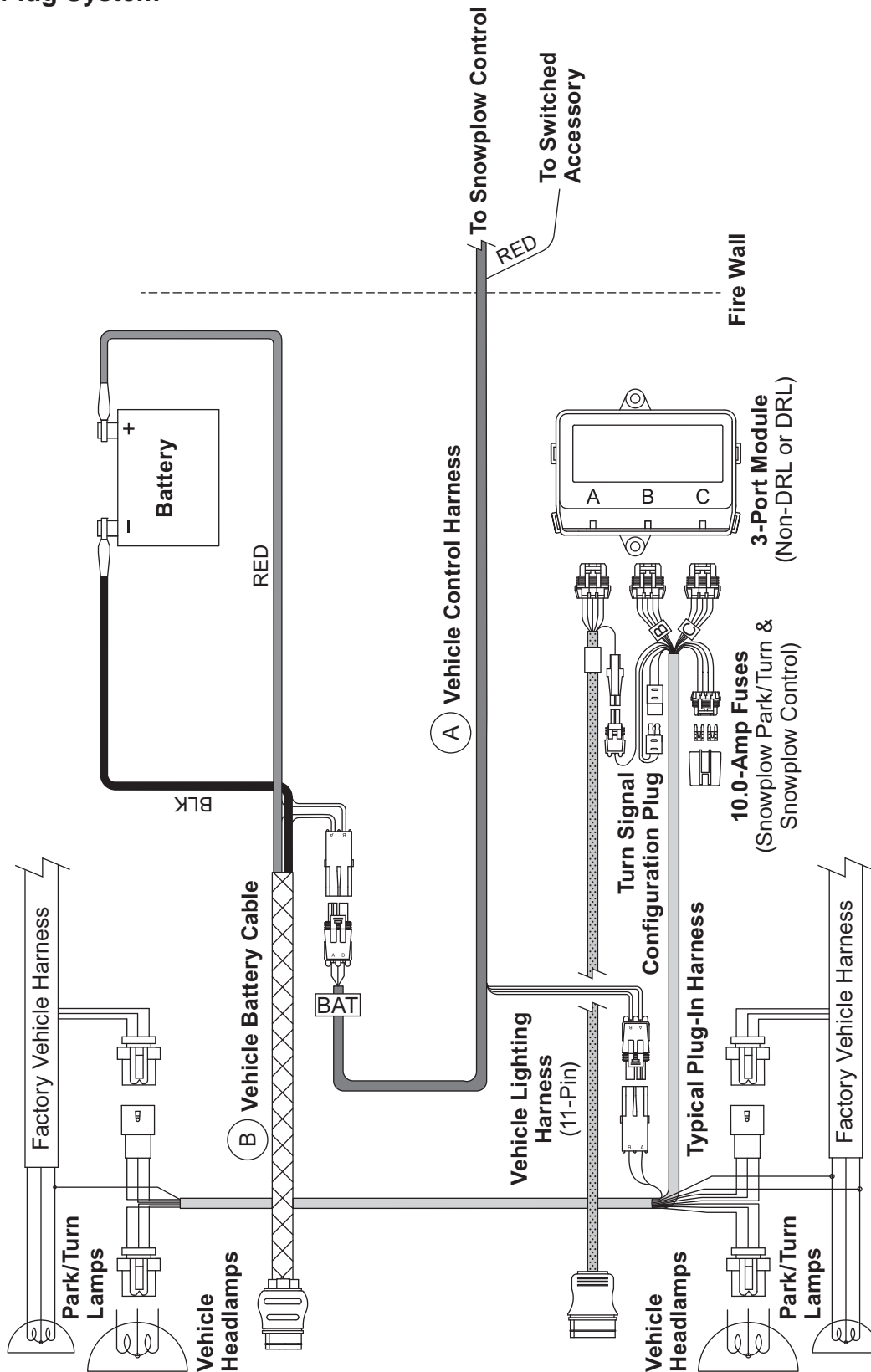
ns = not shown

* For diagram, see Vehicle-Side Harness Diagram.

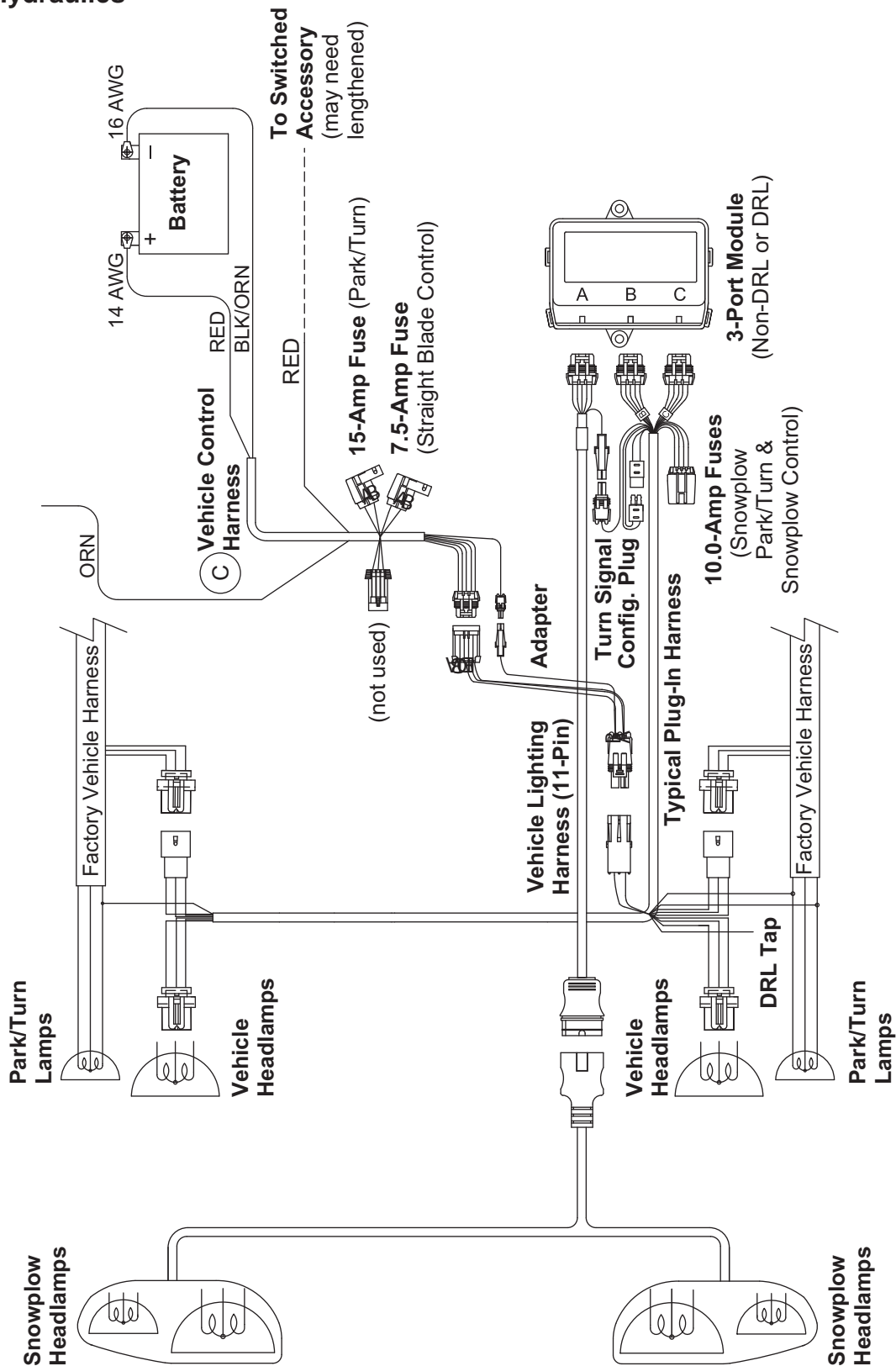
** For diagram, see Vehicle-Side Harness Diagram – Central Hydraulics.

† Not used for Central Hydraulics.

Vehicle-Side Harness Diagram
3-Port, 2-Plug System

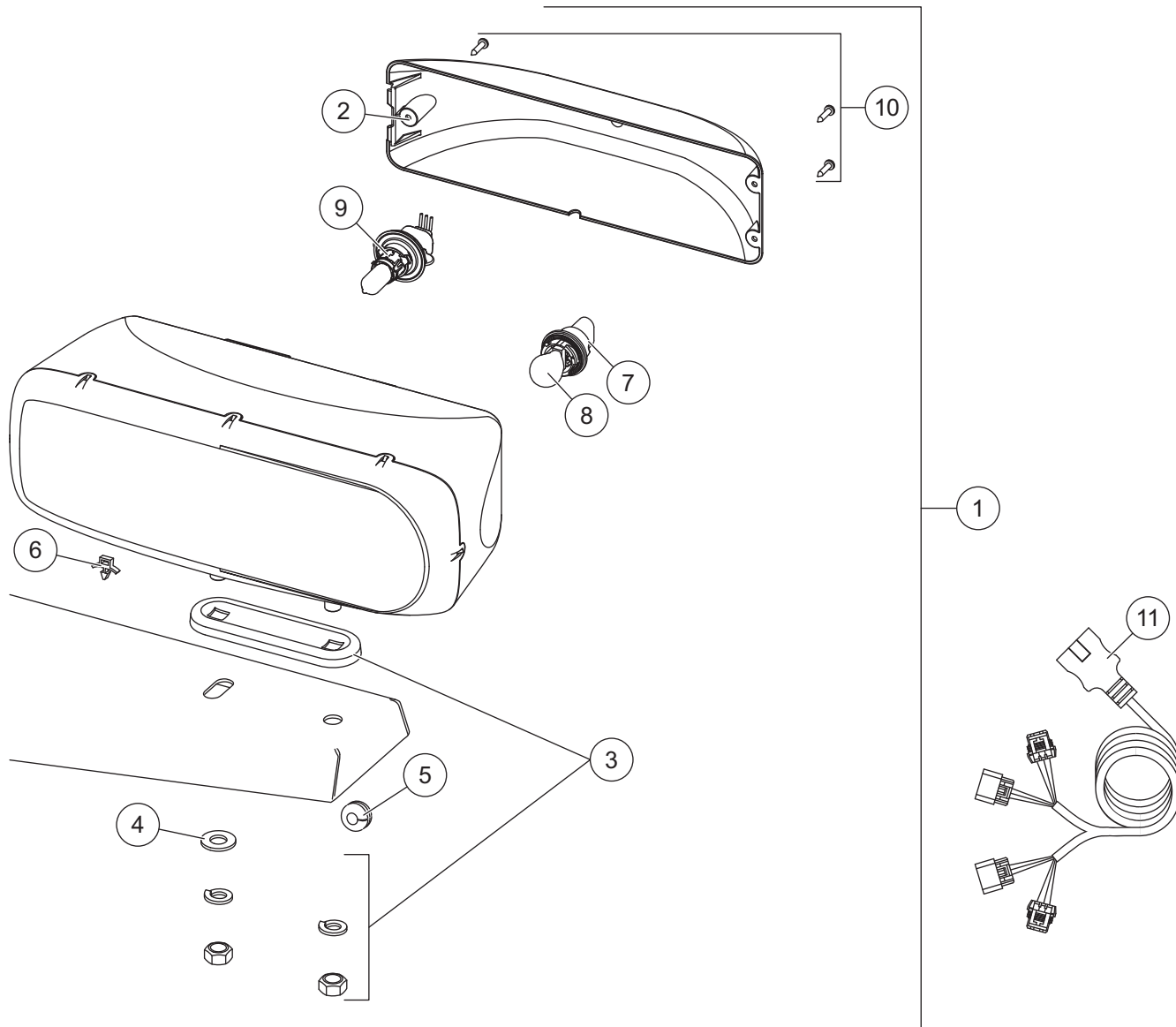


Vehicle-Side Harness Diagram
Central Hydraulics



MIDWEIGHT™ & PRO-PLOW® Series 2 CENTER ASSEMBLY 75200/75210(CH)

Headlamp Kit



28800-1 Headlamp Kit (Pair)							
Item	Part	Qty	Description	Item	Part	Qty	Description
1	28801-1	1	Headlamp Service Kit – DS	6	56595	7	Cable Tie Anchor
ns	28802-1	1	Headlamp Service Kit – PS	7	28805	2	Park/Turn Socket Service Kit
2	28803-1	2	Rear Cover Kit (fits 2- or 3-screw)	8		2	Park/Turn Bulb (trade no. 4157NAK)
3	28804	2	Mounting Hardware Kit	9	28806	2	H13 Headlamp Bulb Service Kit
4	91105	2	1/2 Flat Washer	10	28808-1	2	Cover Screws Service Kit (pkg of 3)
5	66130	2	Rubber Grommet	11	28213W	1	Harness Service Kit

ns = not shown



Western Products
PO Box 245038
Milwaukee, WI 53224-9538
www.westernplows.com

 A DIVISION OF DOUGLAS DYNAMICS, LLC

Copyright © 2013 Douglas Dynamics, LLC. All rights reserved. This material may not be reproduced or copied, in whole or in part, in any printed, mechanical, electronic, film or other distribution and storage media, without the written consent of Western Products. Authorization to photocopy items for internal or personal use by Western Products outlets or snowplow owner is granted.

Western Products reserves the right under its product improvement policy to change construction or design details and furnish equipment when so altered without reference to illustrations or specifications used. Western Products or the vehicle manufacturer may require or recommend optional equipment for snow removal. Do not exceed vehicle ratings with a snowplow. Western Products offers a limited warranty for all snowplows and accessories. See separately printed page for this important information. The following are registered (®) or unregistered (™) trademarks of Douglas Dynamics, LLC: MIDWEIGHT™, POLY PRO-PLOW® Series 2, PRO-PLOW® Series 2, ULTRAFINISH™, UltraMount®, UltraMount® 2, WESTERN®.

Printed in U.S.A.