



## PRO PLUS<sup>®</sup> Snowplow

Blades 76901, 76974, 76980

H,A&L 75700

H,A&L, Central Hydraulics 75710

Parts List





TABLE OF CONTENTS

---

**PRO PLUS® BLADE COMPONENTS** ..... 4

**PRO PLUS HYDRAULICS, A-FRAME, AND LIFT FRAME (H,A&L) ASSEMBLY** ..... 6

    Lift Frame and A-Frame Components ..... 6

    Hydraulic Unit Components ..... 8

    Lift and Angle Ram Components..... 10

    Hoses and Fittings ..... 10

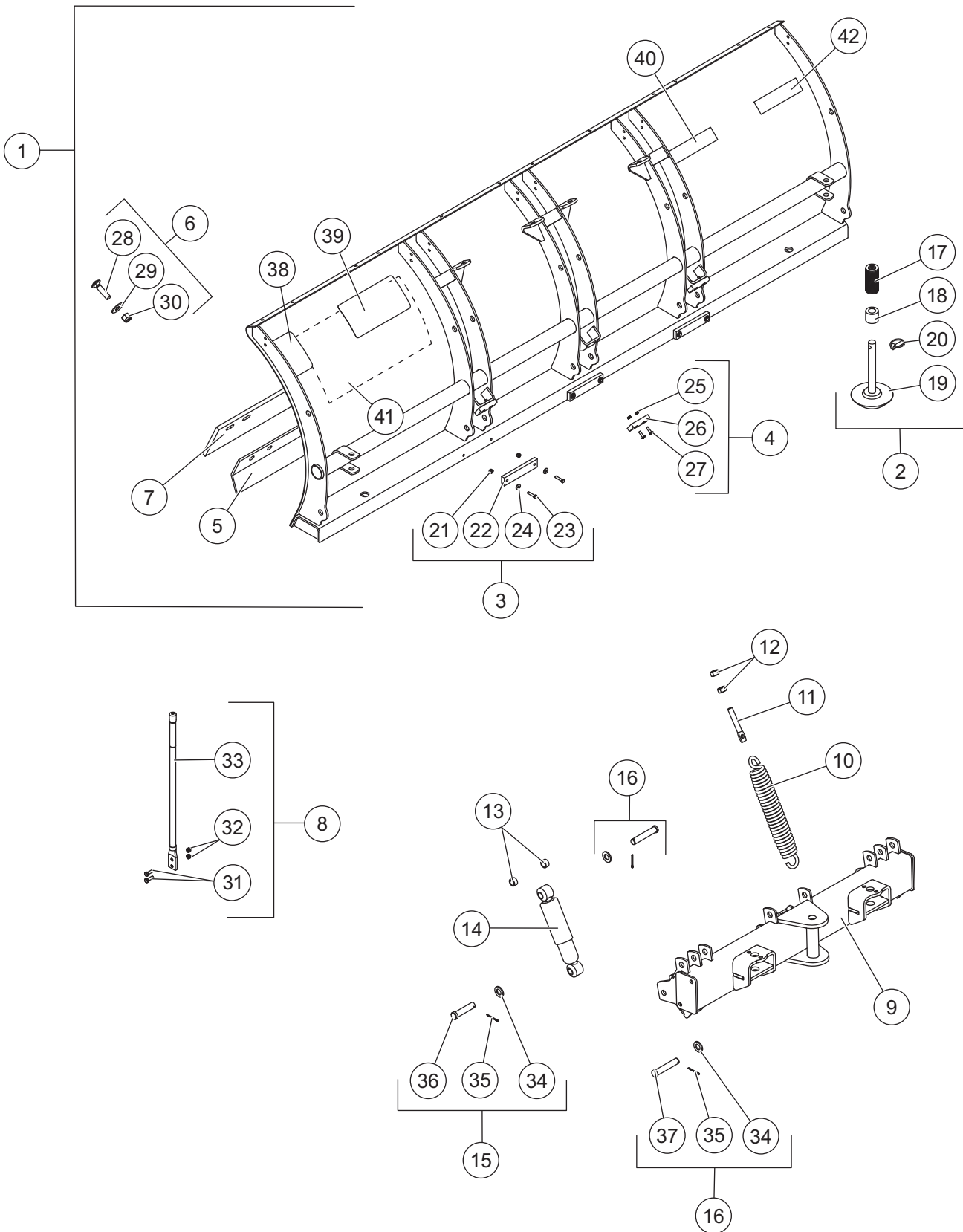
    Electrical Components..... 11

    Vehicle-Side Harness Diagram – 3-Port, 2-Plug System..... 12

    Vehicle-Side Harness Diagram – Central Hydraulics..... 13

    Headlamp Kit ..... 14

Blade Components



**PRO PLUS® BLADES 76901/76974/76980**

PRO PLUS Blade Components								
Item	Part	Qty	Description	Item	Part	Qty	Description	
1	66901		9.0' Blade Assembly	8	62595		Blade Guide Kit	
	66974		8.5' Blade Assembly	9	66930-1		Quadrant	
	66980		8.0' Blade Assembly	10	23039		Trip Spring	
2	49071		Shoe Kit	11	90490		5/8-11 x 4 Eyebolt	
3	63977		Trip Stop Kit	12	91416		5/8-11 Hex Nut G5	
4	63976		Push Stop Kit	13	63211		Spacer .758 ID x 1 OD x .5 LG	
5†	66991		9.0' Back Drag Edge	14	63979		Shock Absorber	
	66999		8.5' Back Drag Edge	15	93063K		3/4 x 3-1/4 Clevis Pin Kit	
	66892		8.0' Back Drag Edge	16	95335		3/4 x 4 Clevis Pin Kit	
6	29351		Cutting/Back Drag Edge Bolt Bag	ns	43359		Label Kit – UltraMount® 2 Pro Plus Blade	
7	63990		9.0' Cutting Edge Kit (incl. item 6)					
	63985		8.5' Cutting Edge Kit (incl. item 6)					
	63980		8.0' Cutting Edge Kit (incl. item 6)					
<b>Item 2 49071 Shoe Kit</b>								
17	91192	29	Round Flat Washer Special	19		1	Heavy-Duty Disc Shoe	
18	60045	1	Spacer	20	93010K	1	7/16 x 1-3/4 Linchpin	
<b>Item 3 63977 Trip Stop Kit</b>								
21		2	1/4-20 Hex Locknut G5	23		2	1/4-20 x 1-1/4 Hex Cap Screw G5	
22		1	Bumper	24		2	1/4 Flat Washer	
<b>Item 4 63976 Push Stop Kit</b>								
25		2	1/4-20 Hex Jam Locknut GB	27		2	1/4-20 x 3/4 Button Cap Screw	
26		1	Bumper					
<b>Item 6 29351 Cutting/Back Drag Edge Bolt Bag</b>								
28	63986	10	5/8-11 x 2-1/2 Carriage Bolt G5	30	91337	10	5/8-11 Hex Locknut GB	
29	90576	10	5/8 Hardened Flat Washer					
<b>Item 8 62595 Blade Guide Kit</b>								
31	68494	4	5/16-18 x 1 Hex Cap Screw G5	33	62578	2	Blade Guide, Poly 24" w/Label	
32	91332	4	5/16-18 Hex Locknut GB					
<b>Item 15 93063K 3/4 x 3-1/4 Clevis Pin Kit</b>								
34	91147	1	3/4 Flat Washer	36		1	3/4 x 3-1/4 Clevis Pin	
35	91911K	1	5/32 x 1-1/2 Cotter Pin Kit					
<b>Item 16 95335 3/4 x 4 Clevis Pin Kit</b>								
34	91147	1	3/4 Flat Washer	37		1	3/4 x 4 Clevis Pin	
35	91911K	1	5/32 x 1-1/2 Cotter Pin Kit					
<b>ns 43359 Label Kit, UltraMount 2 Pro Plus Blade</b>								
38	59900	1	Label – Warning/Caution, Snowplows	41	40986	1	Label – CONTRACTOR GRADE®	
39	43360	1	Label – UltraMount 2 Attach/Detach	42	44451	1	Label – Identity, WESTERN® 8.31"	
40	28404	1	Label – ULTRAFINISH™					
ns = not shown		† = Accessory Only			G = Grade			

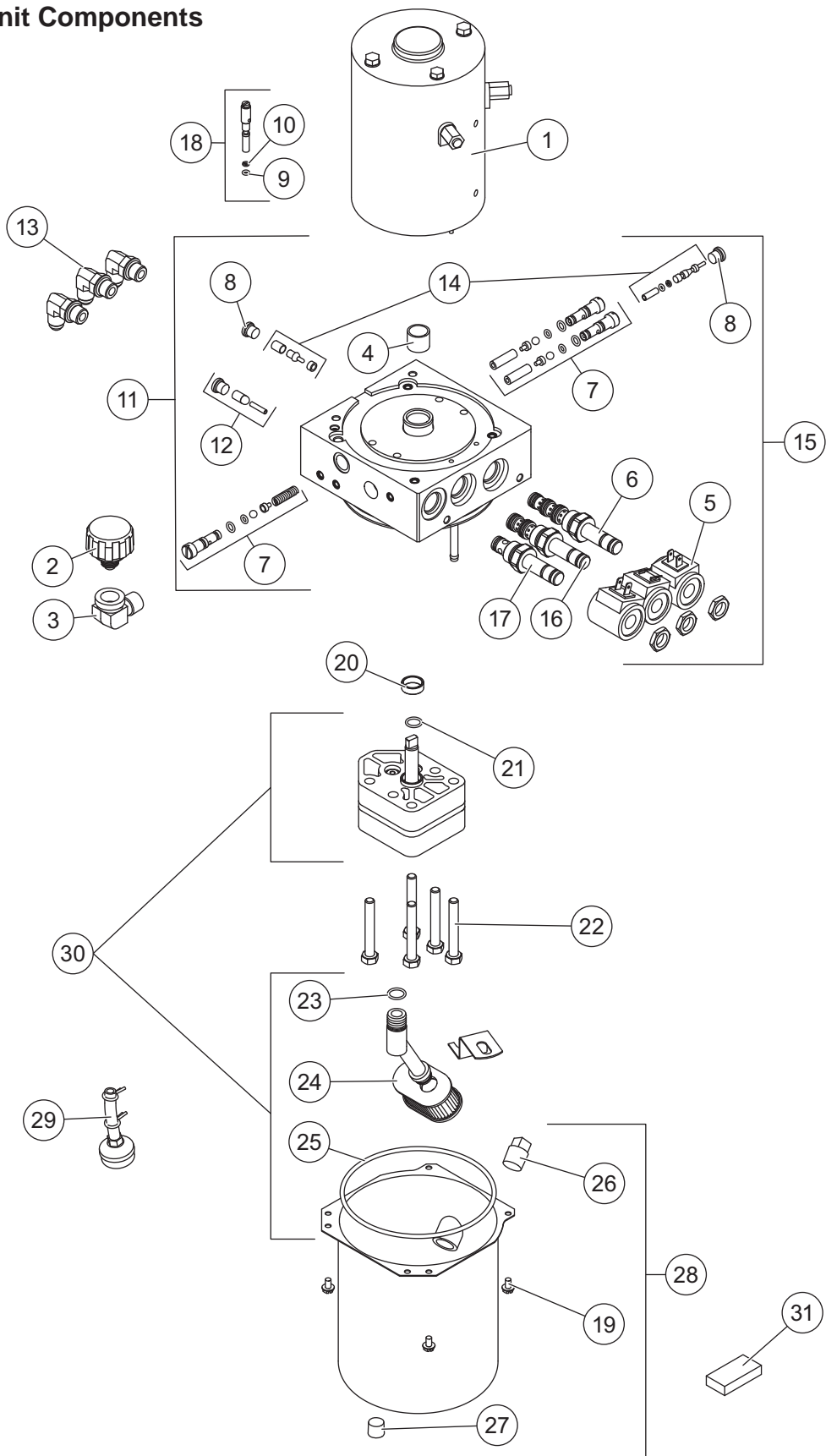


**PRO PLUS® H,A&L CENTER ASSEMBLY 75700/75710(CH)**

PRO PLUS Lift Frame and A-Frame Components							
Item	Part	Qty	Description	Item	Part	Qty	Description
1	66920	1	A-Frame	18	67845	1	Stand Assembly – DS
2	63978	1	Pivot Bolt Kit – PP	19	48523	2	Plunger w/Spring
3	63973	4	Ram Pin Kit	20	67847	2	Stand Shoe Kit
4	91192	7	Round Flat Washer, Special	21		2	Stand Shoe
5	91911K	2	5/32 x 1-1/2 Cotter Pin Kit (pkg of 4)	22	67635	2	1/4 x 2 Roll Pin
6	93074	4	1 x 3-1/4 Clevis Pin	23	67844	2	Stand Lock Pin Kit
7	49033	2	1/4 Grade 43 Chain Assembly	24	42496	1	Receiver Kit DS
8	67855	1	Pivot Bolt Kit	25	42497	1	Receiver Kit PS
9	67842-1	1	Pivot Bar Kit	26	44302	1	Light Channel
10	49645	2	Pivot Bar Pin Kit	27†	68314-1	1	Hydraulic Unit Cover (incl. Item 28)
11	43303	1	Lift Frame	28	43353	1	Label – Hydraulic Information, Straight Blade
12	69689	1	Label – SECURITY GUARD™	29	43358	2	Label – Identity, UltraMount® 2
13	68740	2	3/4 x 3-1/2 Clevis Pin Kit	30	43304	1	Lift Arm Kit
14	91147	6	3/4 Flat Washer	31	49479-1	1	Hose Bracket Kit
15	66451	2	3/4-10 x 6 Hex Cap Screw G5	32	61246	1	Cable Boot
16	91338	2	3/4-10 Hex Locknut GB				
17	67846	1	Stand Assembly – PS				
<b>Item 2 63978 Pivot Bolt Kit – PP</b>							
4	91192	3	Round Flat Washer, Special	34	91340	1	1-8 Hex Locknut GB
33		1	1-8 x 9 Hex Cap Screw G5				
<b>Item 7 49033 1/4 Grade 43 Chain Assembly (2 per plow)</b>							
35		1	1/4 x 42 Grade 43 Chain	37	91333	2	3/8-16 Hex Locknut GB
36	90571	1	3/8-16 x 1-1/2 U-Bolt				
<b>Item 8 67855 Pivot Bolt Kit</b>							
34	91340	1	1-8 Hex Locknut GB	39	67552	1	1-8 x 7 Hex Cap Screw G5
38	67748	1	1-8 Hex Jam Nut G5				
<b>Item 9 67842-1 Pivot Bar Kit</b>							
8	67855	1	Pivot Bolt Kit	40		1	Pivot Bar
<b>Item 11 43303 Lift Frame</b>							
		1	Lift Frame	29	43358	2	Label – Identity, UltraMount 2
12	69689	1	Label – SECURITY GUARD	50		2	UHMW Round Flat Washer, Special
<b>Item 23 67844 Stand Lock Pin Kit</b>							
41		1	Lock Pin	43	67726	1	Spring Lock Pin, Stand
42	67700	1	3/16 x 1-1/4 Roll Pin				
<b>Item 24 67858 Receiver Kit DS</b>							
44	42498	1	Receiver Pin	46		1	Receiver DS
45	91965K-1	1	5/32 Hairpin Cotter				
<b>Item 25 67859 Receiver Kit PS</b>							
44	42498	1	Receiver Pin	47		1	Receiver PS
45	91965K-1	1	5/32 Hairpin Cotter				
<b>Item 30 43304 Lift Arm Kit</b>							
5	91911K	1	5/32 x 1-1/2 Cotter Pin Kit (pkg of 4)	49	91962	2	1/8 Hairpin Cotter
13	68740	1	3/4 x 3-1/2 Clevis Pin Kit	50		2	UHMW Round Flat Washer, Special
14	91147	3	3/4 Flat Washer	51		1	Lift Arm
48	43351	2	3/4 x 2 Clevis Pin Kit				
ns = not shown				G = Grade			

† Not used for Central Hydraulics.

Hydraulic Unit Components





**PRO PLUS® H,A&L CENTER ASSEMBLY 75700**

42345 Hydraulic Unit							
42348 Hydraulic Unit Service Kit*							
(Not used for Central Hydraulics)							
Item	Part	Qty	Description	Item	Part	Qty	Description
1	21500-1	1	Motor, 4-1/2"	17	49227K-2	1	Valve, 2-Way w/Nut
2	21727-2K	1	Breather Pressure Control	18	56662	1	Quill Assembly
3	21726K	1	Elbow, Street 90° 3/8 M NPTF/ 3/8 F NPTF	19	66607	4	10-24 x 5/16 Machine Screw Slotted Hex Washer Head
4**	64596-1	1	Sleeve Bearing & Shaft Seal Kit	20‡	66515	1	Pump Shaft Seal
5	49230K-2	3	Coil w/Spades	21	56274	1	O-Ring –013
6	49229K-1	1	Cartridge Valve, 4-Way w/Nut	22	90073	5	5/16-18 x 2-1/4 Hex Cap Screw
7	49138K-3	1	Relief Valve Kit (2 sets)	23	56416	1	O-Ring –014
8	92960	2	Plug, Hex Socket –3 M ORB	24	56789-3	1	Suction Filter
9	25622	1	O-Ring –006	25	66519	1	O-Ring –2-250
10	56315	1	Back-Up Ring –006	26	92079	1	Plug, Square 3/8 NPTF
11	42346	1	Manifold Assembly	27	92095	1	Plug, Hex Socket 1/4 NPTF w/ Thread Sealant – SAE 130109N/P
12	56507	1	Bypass Check Valve Kit	28	21830	1	Reservoir Kit
13	56615-1	3	Elbow, 90° –6 M JIC/–6 M ORB	29	66405	1	Return Screen Assembly
14	49226K	1	Poppet Check Valve Kit	30	21501-1	1	Hydraulic Pump Kit
15	42347	1	Valve Manifold Assembly	31	73897	1	Magnet
16	66608-1	1	Cartridge Valve, 3-Way w/Nut				
O-Ring Service Kits							
–	56657-3	–	O-Ring & Back-Up Ring Kit	–	49259-2	–	Seal Kit, 3-Way & 4-Way Valve
–	49258-2	–	Seal Kit, 2-Way Valve				

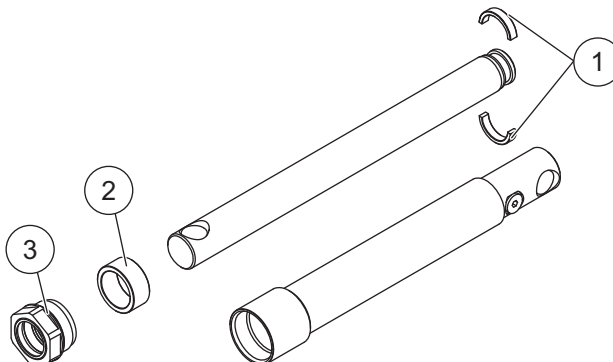
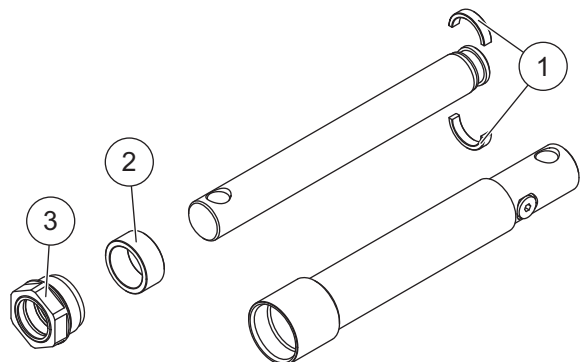
\* Includes 42345 Hydraulic Unit and Plow-Side Electrical Components (p. 11).

\*\* Use 64589 tool for bearing sleeve replacement (includes 1 bearing).

‡ Use 28856 tool for pump shaft seal replacement (includes 1 seal).

PRO PLUS® H,A&L CENTER ASSEMBLY 75700/75710(CH)

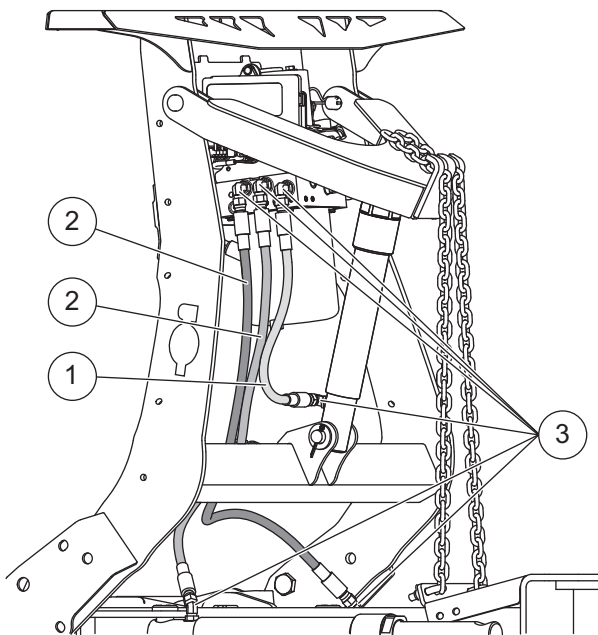
Lift and Angle Ram Components



56538K Lift Ram Assembly 1-1/2 x 8			
Item	Part	Qty	Description
1	64650	1	Split Bearing Kit 1-1/2"
2	56537	1	Spacer
3	48985	1	Gland Nut Assembly

64148 Angle Ram Assembly 1-1/2 x 12			
Item	Part	Qty	Description
1	64650	1	Split Bearing Kit 1-1/2"
2	56537	1	Spacer
3	48985	1	Gland Nut Assembly

Hoses and Fittings

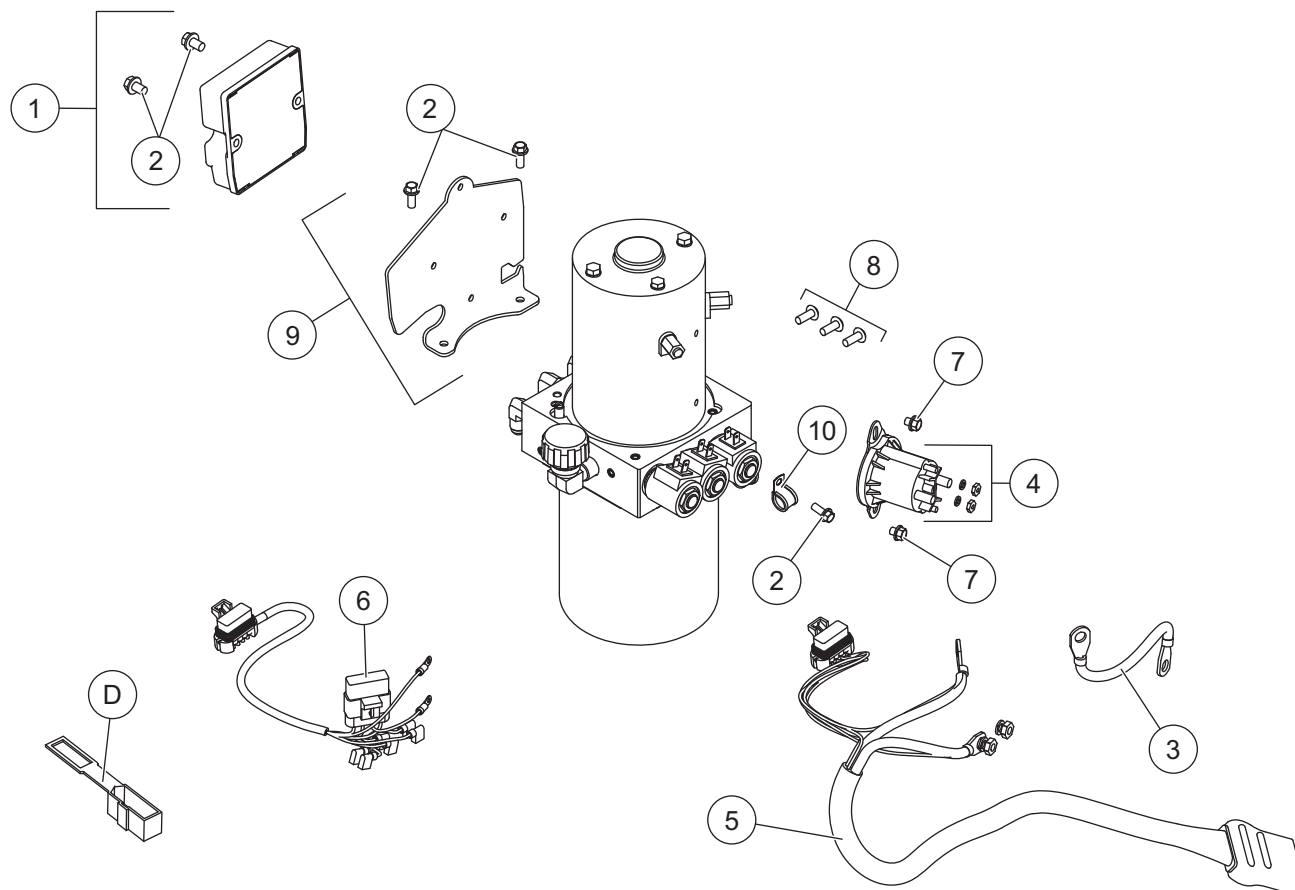


Hoses and Fittings						
Item	Part	Qty	Description	Item	Part	Qty Description
1†	41094	1	Hose, 1/4 x 18 w/F JIC Ends	3	56615-1	6 Elbow, 90° – 6 M JIC/–6 M ORB
2†	49532	2	Hose, 3/8 x 36 w/F JIC Ends			
			F = Female	M = Male or Metric		

† Not used for Central Hydraulics.

PRO PLUS® H,A&L CENTER ASSEMBLY 75700/75710(CH)

Electrical Components



Plow-Side Electrical Components							
Item	Part	Qty	Description	Item	Part	Qty	Description
1	49567	1	Plow Module, 2-Port	7	29099	2	1/4-20 x 1/4 Hex Washer-Head Thread-Rolling Screw
2	44355	5	1/4-20 x 5/8 Hex Washer-Head Thread-Rolling Screw	8	98043	3	3/8-16 x 1 Button Cap Screw
3	29071	1	Cable Assembly 8"	9	42287	1	Bracket – Plow Module
4	42902	1	Motor Relay Kit FLEET FLEX	10	65340	1	Clamp Loop #10
5	42015	1	Snowplow Battery Cable	ns	56099	1	Dielectric Grease
6	28581-1	1	Harness Plow Control, 3-Solenoid				

ns = not shown

Vehicle-Side Electrical Components (Diagrams on following pages)							
A†	28587	1	Vehicle Control Harness	D	61548K	1	Plug Cover Kit (shown with plow-side electrical components)
B†	42014	1	Vehicle Battery Cable				
C**	26498	1	Vehicle Control Harness – Central Hydraulics				

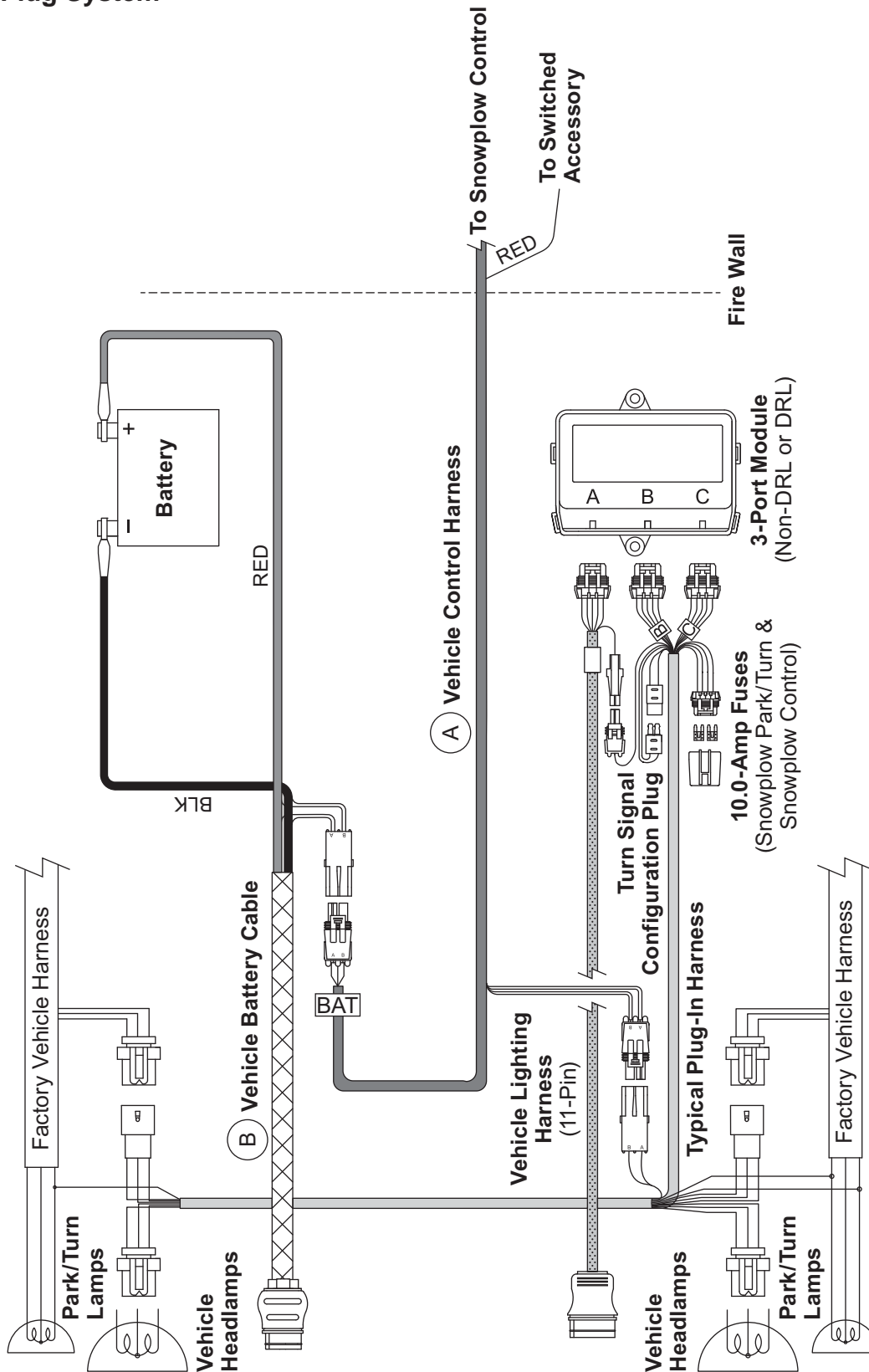
ns = not shown

\* For diagram, see Vehicle-Side Harness Diagram.

\*\* For diagram, see Vehicle-Side Harness Diagram – Central Hydraulics.

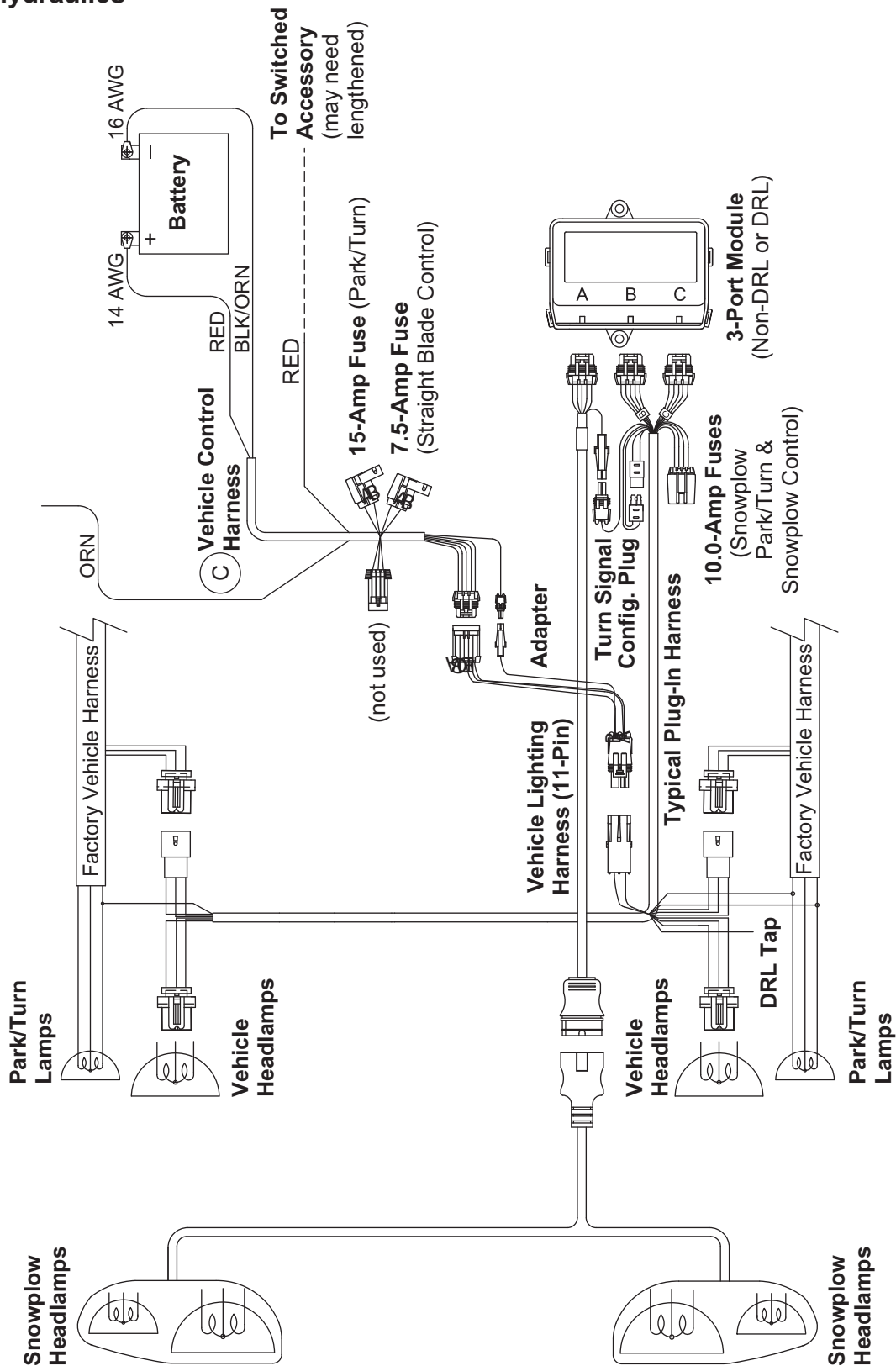
† Not used for Central Hydraulics.

Vehicle-Side Harness Diagram  
3-Port, 2-Plug System



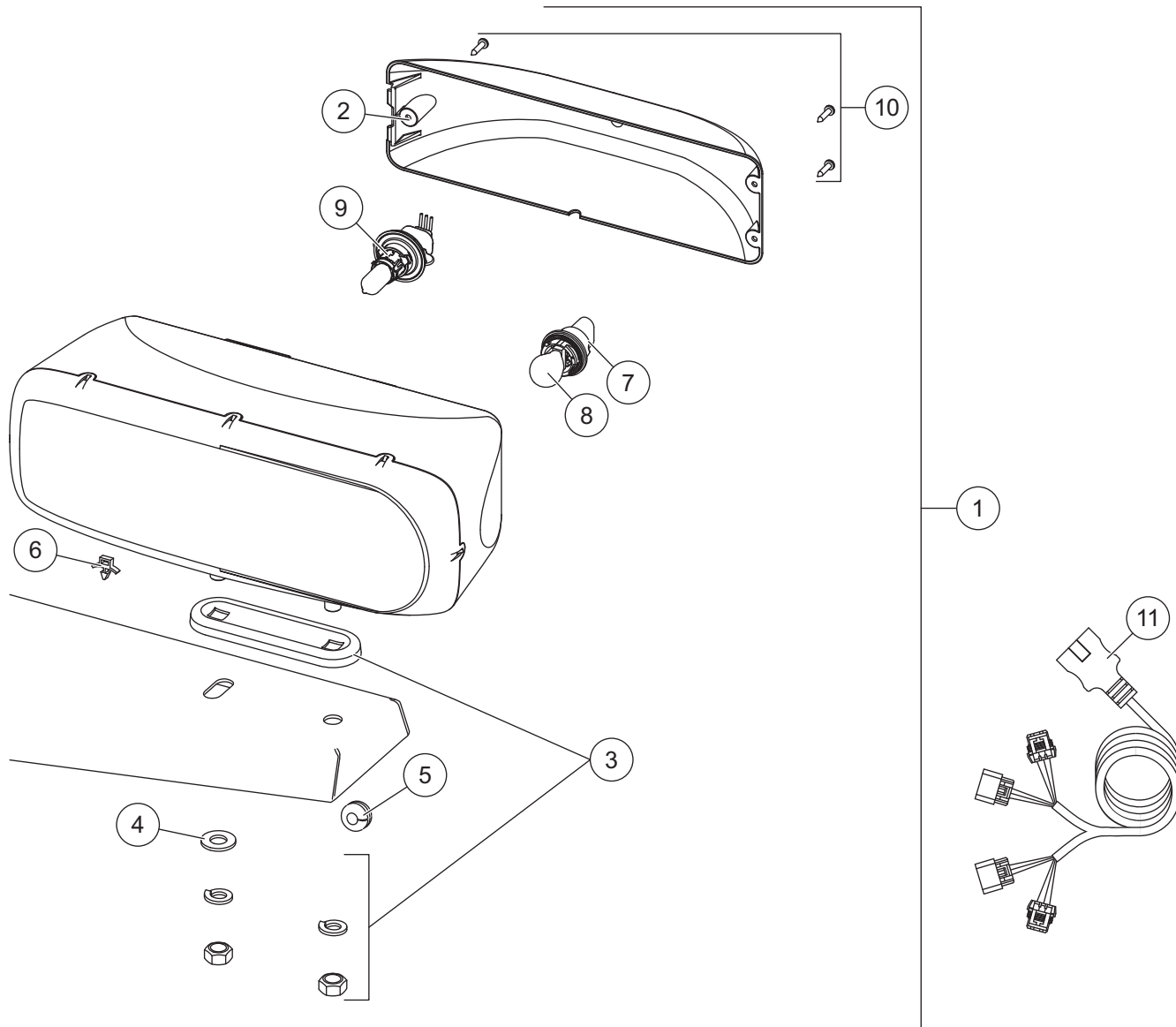
PRO PLUS® H,A&L CENTER ASSEMBLY 75710(CH)

Vehicle-Side Harness Diagram  
Central Hydraulics



PRO PLUS® H,A&L CENTER ASSEMBLY 75700/75710(CH)

Headlamp Kit



28800-1 Headlamp Kit (Pair)							
Item	Part	Qty	Description	Item	Part	Qty	Description
1	28801-1	1	Headlamp Service Kit – DS	6	56595	7	Cable Tie Anchor
ns	28802-1	1	Headlamp Service Kit – PS	7	28805	2	Park/Turn Socket Service Kit
2	28803-1	2	Rear Cover Kit (fits 2- or 3-screw)	8		2	Park/Turn Bulb (trade no. 4157NAK)
3	28804	2	Mounting Hardware Kit	9	28806	2	H13 Headlamp Bulb Service Kit
4	91105	2	1/2 Flat Washer	10	28808-1	2	Cover Screws Service Kit (pkg of 3)
5	66130	2	Rubber Grommet	11	28213W	1	Harness Service Kit

ns = not shown





Western Products  
PO Box 245038  
Milwaukee, WI 53224-9538  
www.westernplows.com

 A DIVISION OF DOUGLAS DYNAMICS, LLC

Copyright © 2013 Douglas Dynamics, LLC. All rights reserved. This material may not be reproduced or copied, in whole or in part, in any printed, mechanical, electronic, film or other distribution and storage media, without the written consent of Western Products. Authorization to photocopy items for internal or personal use by Western Products outlets or snowplow owner is granted.

Western Products reserves the right under its product improvement policy to change construction or design details and furnish equipment when so altered without reference to illustrations or specifications used. Western Products or the vehicle manufacturer may require or recommend optional equipment for snow removal. Do not exceed vehicle ratings with a snowplow. Western Products offers a limited warranty for all snowplows and accessories. See separately printed page for this important information. The following are registered (®) or unregistered (™) trademarks of Douglas Dynamics, LLC: CONTRACTOR GRADE®, PRO PLUS®, SECURITY GUARD™, ULTRAFINISH™, UltraMount®, UltraMount® 2, WESTERN®.

Printed in U.S.A.