



**7-1/2', 8-1/2' and  
9-1/2' MVP PLUS™ Snowplows**

**Mild Steel Blades 44475-1, 44485-1, 44495-1**

**Poly Blades 44575-1, 44585-1, 44595-1**

**H,L&T Center Assembly 75300**

**H,L&T Center Assembly, Central Hydraulics 75310**

**Parts List**





**MVP PLUS™ BLADES** ..... 4

**MVP PLUS HYDRAULIC, LIFT FRAME AND T-FRAME (H,L&T) CENTER ASSEMBLY** ..... 6

    Lift Frame and T-Frame Components..... 6

    Hydraulic Unit Components ..... 8

    Hydraulic Unit Cover Assembly ..... 10

    Lift and Angle Ram Components..... 11

    Hoses and Fittings ..... 11

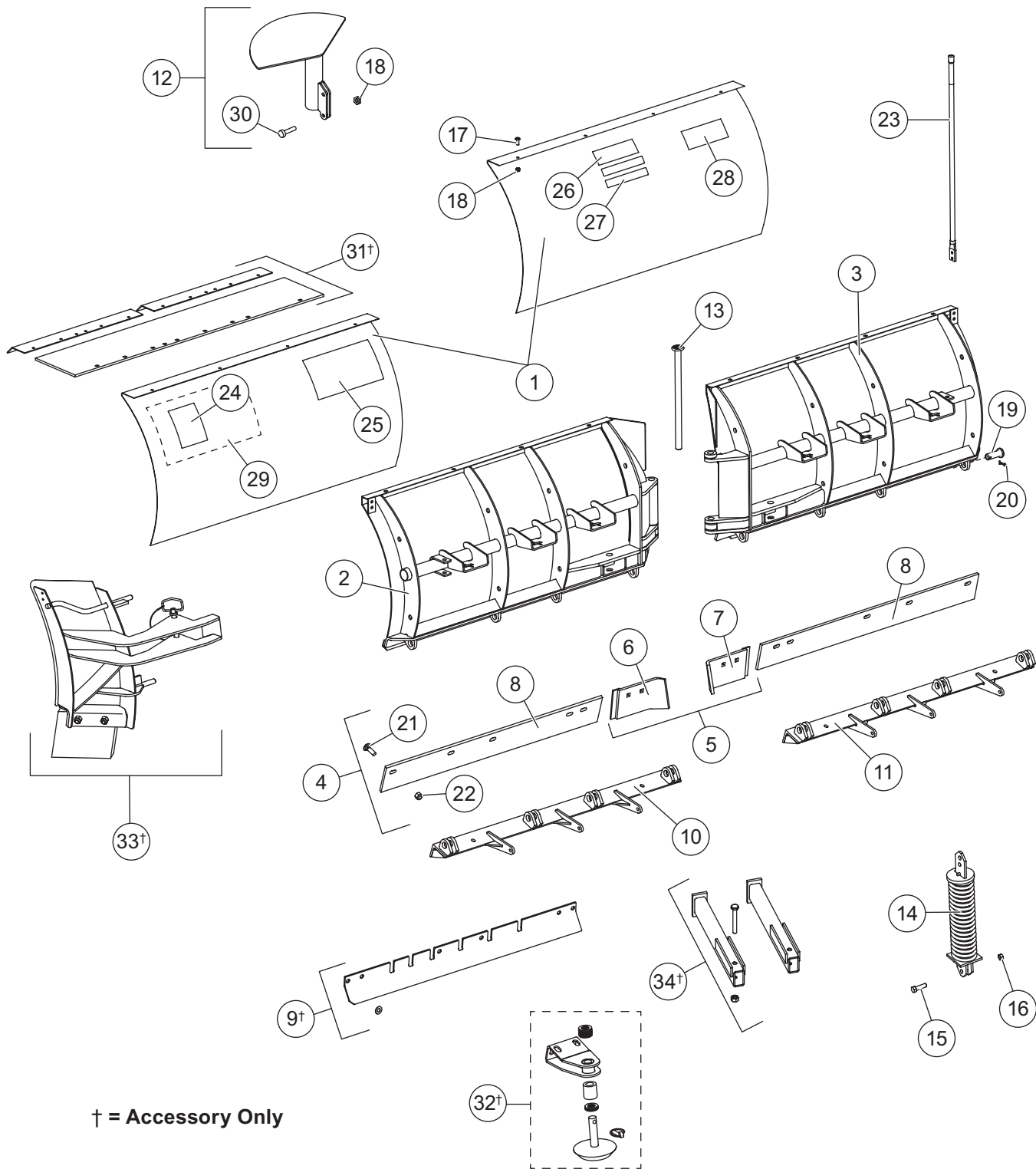
    Electrical Components..... 12

    Vehicle-Side Harness Diagram – 3-Port, 2-Plug System..... 13

    Vehicle-Side Harness Diagram – Central Hydraulics..... 14

    Headlamp Kit ..... 15

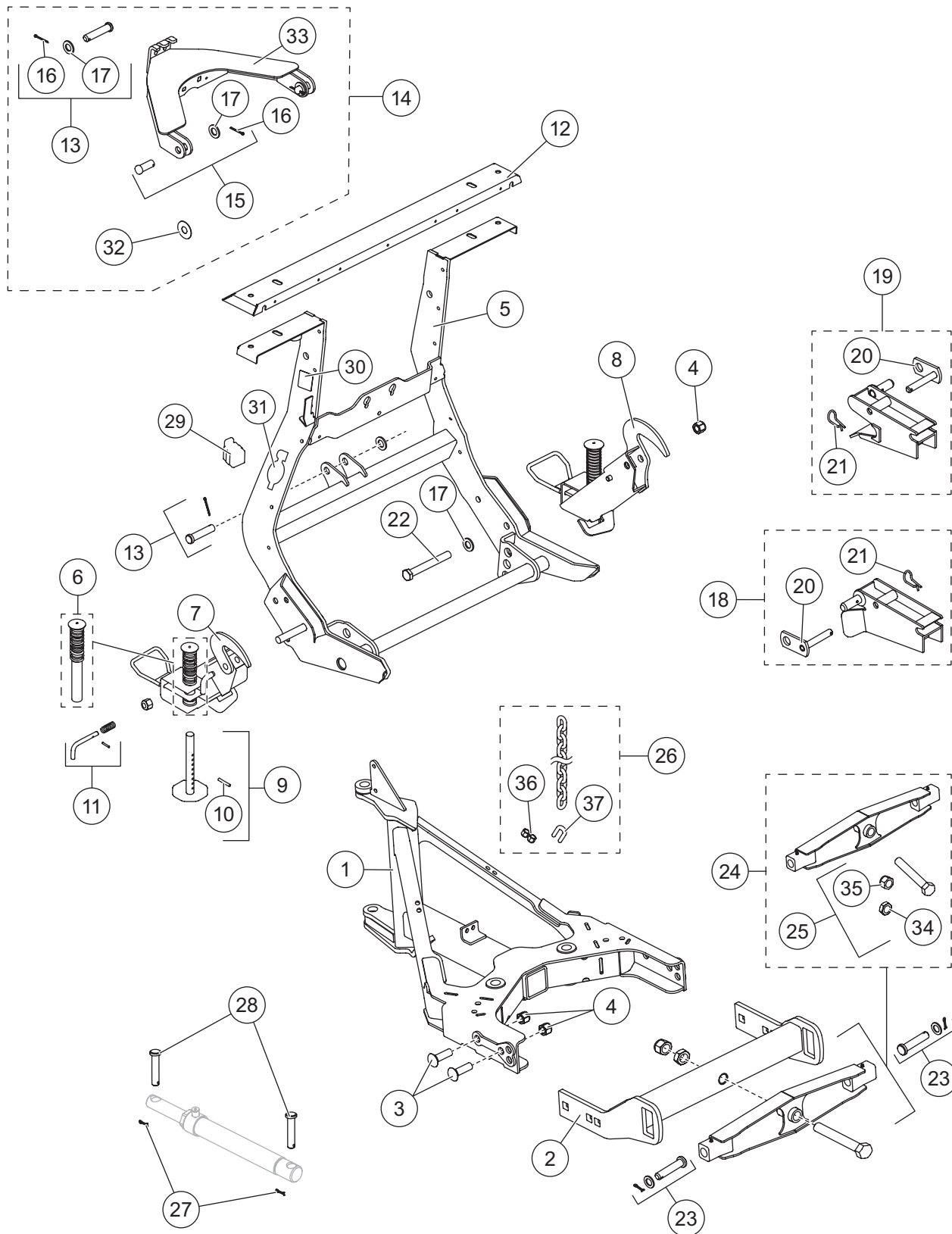
Blade Components – 9-1/2' Shown





# MVP PLUS™ H,L&T CENTER ASSEMBLY 75300/75310(CH)

## Lift Frame and T-Frame Components



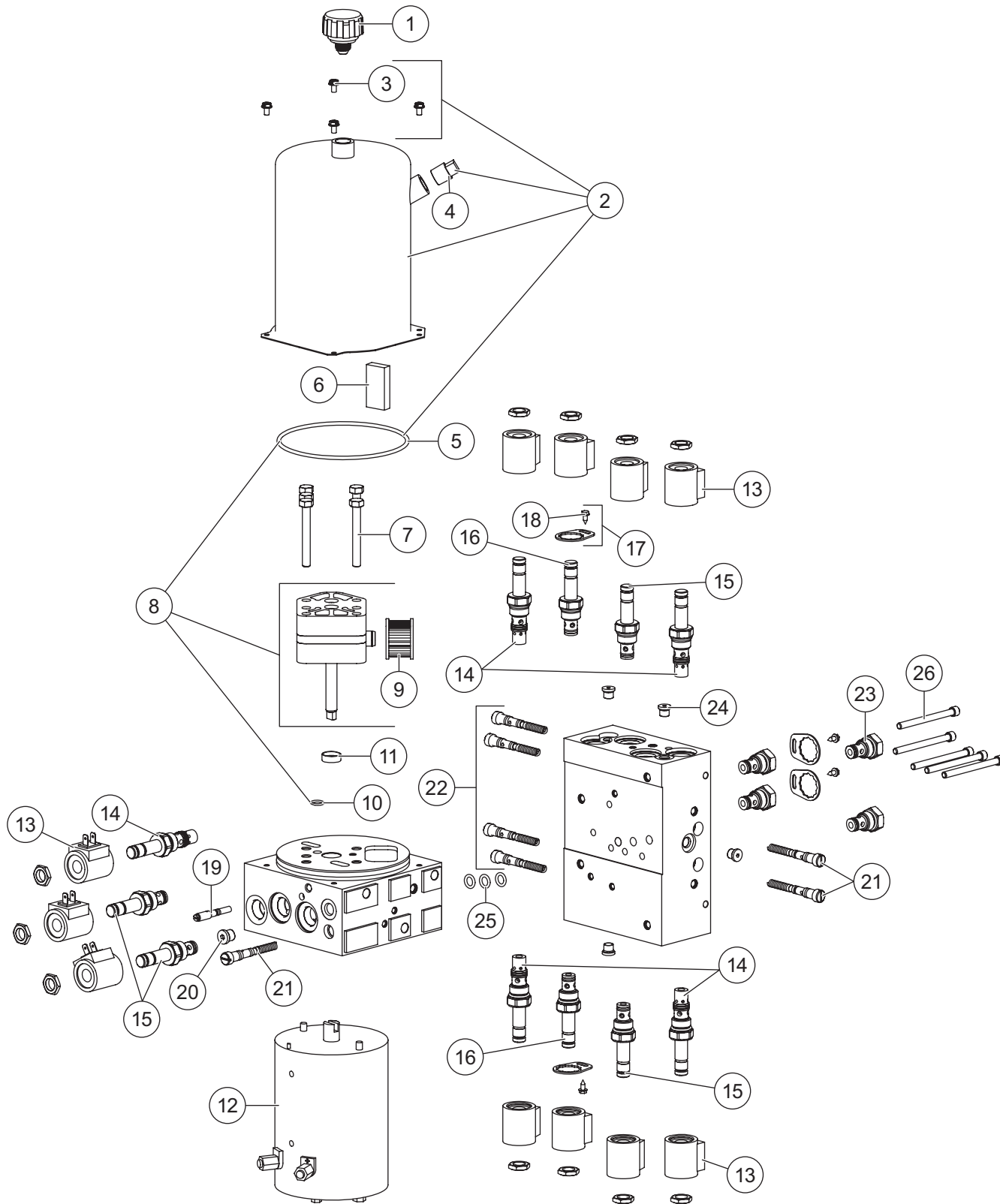
**MVP PLUS™ H,L&T CENTER ASSEMBLY 75300/75310(CH)**

MVP PLUS Lift Frame and T-Frame Components							
Item	Part	Qty	Description	Item	Part	Qty	Description
1	44546-2†	1	T-Frame Service Kit	15	43351	2	3/4 x 2 Pin Kit
2	44557-2	1	Pushbeam	16	91911K	4	5/32 x 1-1/2 Cotter Pin Kit (pkg of 4)
3	63913	4	3/4-10 x 2-1/2 Carriage Bolt G5	17	91147	6	3/4 Flat Washer
ns	90459‡	4	3/4-10 x 2-1/2 Hex Cap Screw G5	18	42496	1	Receiver Kit – DS
4	91338	6	3/4-10 Hex Locknut GB	19	42497	1	Receiver Kit – PS
5	43301	1	Lift Frame	20	42498	2	Receiver Pin
6	48523	1	Plunger w/Spring	21	91965K-1	2	5/32 Hairpin Cotter
7	67845	1	Stand Assembly – DS	22	66451	2	3/4-10 x 6 Hex Cap Screw G5
8	67846	1	Stand Assembly – PS	23	49645	2	1 x 4-3/4 Clevis Pin Kit
9	67847	2	Stand Shoe Kit	24	67842-1	1	Pivot Bar Kit
10	67635	2	1/4 x 2 Roll Pin BP	25	67855	1	Pivot Bolt Kit
11	67844	2	Stand Lock Pin Kit	26	49033	2	1/4 Grade 43 Chain Assembly
12	43302	1	Light Channel	27	90601	4	1/4 x 1-1/2 Cotter Pin
13	68740	1	3/4 x 3-1/2 Clevis Pin Kit	28	22260	4	1 x 4-3/4 Clevis Pin
14	43304	1	Lift Arm Kit	29	61246	1	Cable Boot
<b>Item 5</b>				<b>43301 Lift Frame</b>			
		1	Lift Frame	31	43358	2	Label – Identity, UltraMount® 2
30†	69689	1	Label – SECURITY GUARD™	32		2	UHMW Round Flat Washer, Special
<b>Item 14</b>				<b>43304 Lift Arm Kit</b>			
13	68740	1	3/4 x 3-1/2 Clevis Pin Kit	17	91147	3	3/4 Flat Washer
15	43351	2	3/4 x 2 Pin Kit	32		2	UHMW Round Flat Washer, Special
16	91911K	1	5/32 x 1-1/2 Cotter Pin Kit (pkg of 4)	33		1	Lift Arm
<b>Item 24</b>				<b>67842-1 Pivot Bar Kit</b>			
		1	Pivot Bar	25	67855	1	Pivot Bolt Kit
<b>Item 25</b>				<b>67855 Pivot Bolt Kit</b>			
		1	1-8 x 7 Hex Cap Screw G5	35	91340	1	1-8 Hex Locknut GB
34	67748	1	1-8 Hex Jam Nut G5				
<b>Item 26</b>				<b>49033 1/4 Grade 43 Chain Assembly (2 per plow)</b>			
		1	1/4 x 42 Grade 43 Chain	37	90453	1	3/8-16 x 1-1/2 U-Bolt G5
36	91333	2	3/8-16 Hex Locknut GB				
ns = not shown				G = Grade			

† Not used for Central Hydraulics.

‡ Four 3/4-10 x 2-1/2 Hex Cap Screws (PN 90459) are required when pairing T-frame (PN 44546-2) with a pushbeam that has round holes instead of square holes.

Hydraulic Unit Components





**MVP PLUS™ H,L&T CENTER ASSEMBLY 75300**

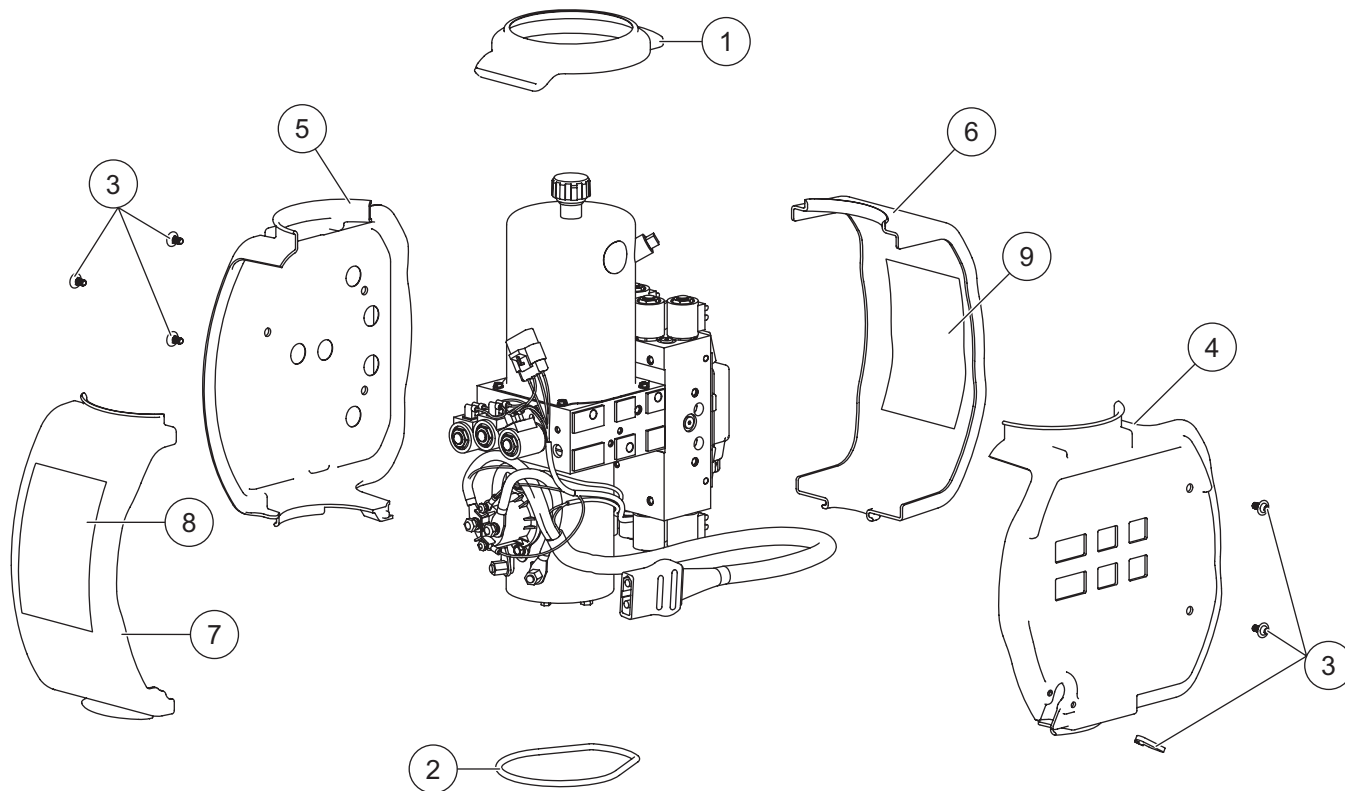
<b>44320 Hydraulic Unit MVP PLUS</b> <b>48257 Hydraulic Unit Service Kit MVP PLUS*</b> <b>(Not used for Central Hydraulics)</b>							
Item	Part	Qty	Description	Item	Part	Qty	Description
1	21727-2K	1	Breather Pressure Control	17	44369	4	Valve Lock Ring w/Screw
2	44327-1	1	Reservoir Kit	18	63943	4	8-18 x 3/8 Tapping Screw
3	66607	4	10-24 x 5/16 Machine Screw	19	48517	1	Quill Assembly 1/2-20 Thread
4	92079	1	Plug, Square 3/8 NPTF	20	44344	1	Plug, Hex Socket –4 M ORB
5	66519	1	O-Ring –2-250	21	49138K-3	1-1/2	Relief Valve Kit (2 sets)
6	73897	1	Magnet	22	44338	2	Relief Valve Kit (2 sets)
7	90080	5	5/16-18 x 2-1/2 Hex Cap Screw G5	23	44334-1	4	Check Valve CV08-20
8	44328-1	1	Pump Kit	24	92960	4	Plug, Hex Socket –3 M ORB
9	56789-3	1	Suction Filter	25	29077	3	O-Ring –110
10	56274	1	O-Ring –013	26	29081	5	1/4-20 x 3 Socket Cap Screw
11	66515	1	Pump Shaft Seal	ns	29099	2	1/4-20 x 1/4 Hex Washer-Head Thread-Rolling Screw
12	21500-1	1	Motor Assembly, 4-1/2"	ns	44326	1	1/4-20 x 1/2 6-Lobe Round Washer-Head Screw (pkg of 5)
13	49230K-2	11	Coil w/Spade Terminals	ns	44355	2	1/4-20 x 5/8 Hex Washer-Head Thread-Rolling Screw
14	44332	5	Valve SVCV08-20 w/Nut				
15	49227K-2	4	Valve SV08-2004 w/Nut				
16	44336	2	Valve SF08-2015 w/Nut				
<b>O-Ring Service Kits</b>							
–	56657-3	–	Back-Up/O-Ring Kit**	–	49259-2	–	Seal Kit – Valves SV08-30, 31, 33, 40, 43 and SVCV08-20
–	49258-2	–	Seal Kit – Valves SV08-2004, CV08-20, SF08-2015				
ns = not shown				G = Grade			

\* Includes 44320 Hydraulic Unit, 44325 Cover Assembly (p. 10) and Plow-Side Electrical Components (p. 12).

\*\* Does not contain O-rings for cartridge valves.

MVP PLUS™ H,L&T CENTER ASSEMBLY 75300

Hydraulic Unit Cover Assembly



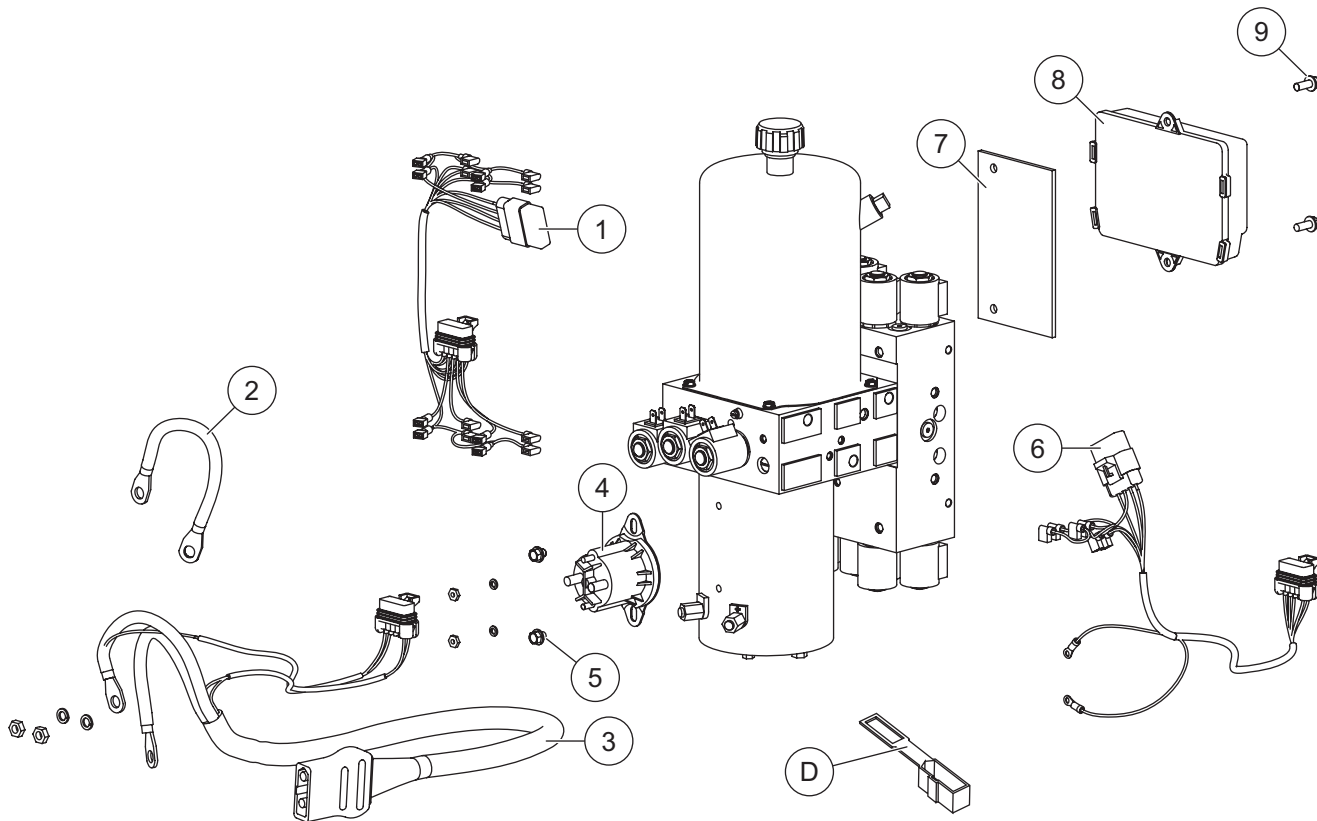
44325 Cover Assembly							
Item	Part	Qty	Description	Item	Part	Qty	Description
1	44352	1	Top Retainer Ring	6	44303	1	Cover, Side 3
2	44366	1	Bottom Retainer Ring	7	44304	1	Cover, Side 4
3	44326	1	1/4-20 x 1/2 6-Lobe Round Washer-Head Screw (5-Pack) w/8" Cable Tie	8	44310	1	Label – Information (S1–S3)
4		1	Cover, Side 1	9	44319	1	Label – Information (S4–S11)
5		1	Cover, Side 2	ns	61536	1	Cable Tie – 14"
				ns	44414	1	Label – Identity, MVP PLUS

ns = not shown



MVP PLUS™ H,L&T CENTER ASSEMBLY 75300/75310(CH)

Electrical Components



Plow-Side Electrical Components							
Item	Part	Qty	Description	Item	Part	Qty	Description
1	28583	1	Harness Plow Control 8-Solenoid	6	28581-1	1	Harness Plow Control 3-Solenoid
2	29071	1	Cable Assembly 8"	7	44308	1	Spacer Module
3	42015	1	Snowplow Battery Cable	8	44354-3	1	Plow Module
4	42902	1	Motor Relay Kit FLEET FLEX System	9	44355	2	1/4-20 x 5/8 Hex Washer-Head Thread-Rolling Screw
5	29099	2	1/4-20 x 1/4 Hex Washer-Head Thread-Rolling Screw	ns	56099	1	Dielectric Grease

ns = not shown

Vehicle-Side Electrical Components (Diagrams on following pages)							
A*†	28587	1	Vehicle Control Harness	D	61548K	1	Plug Cover Kit (shown with plow-side electrical components)
B*†	42014	1	Vehicle Battery Cable				
C**	26498	1	Vehicle Control Harness – Central Hydraulics				

ns = not shown

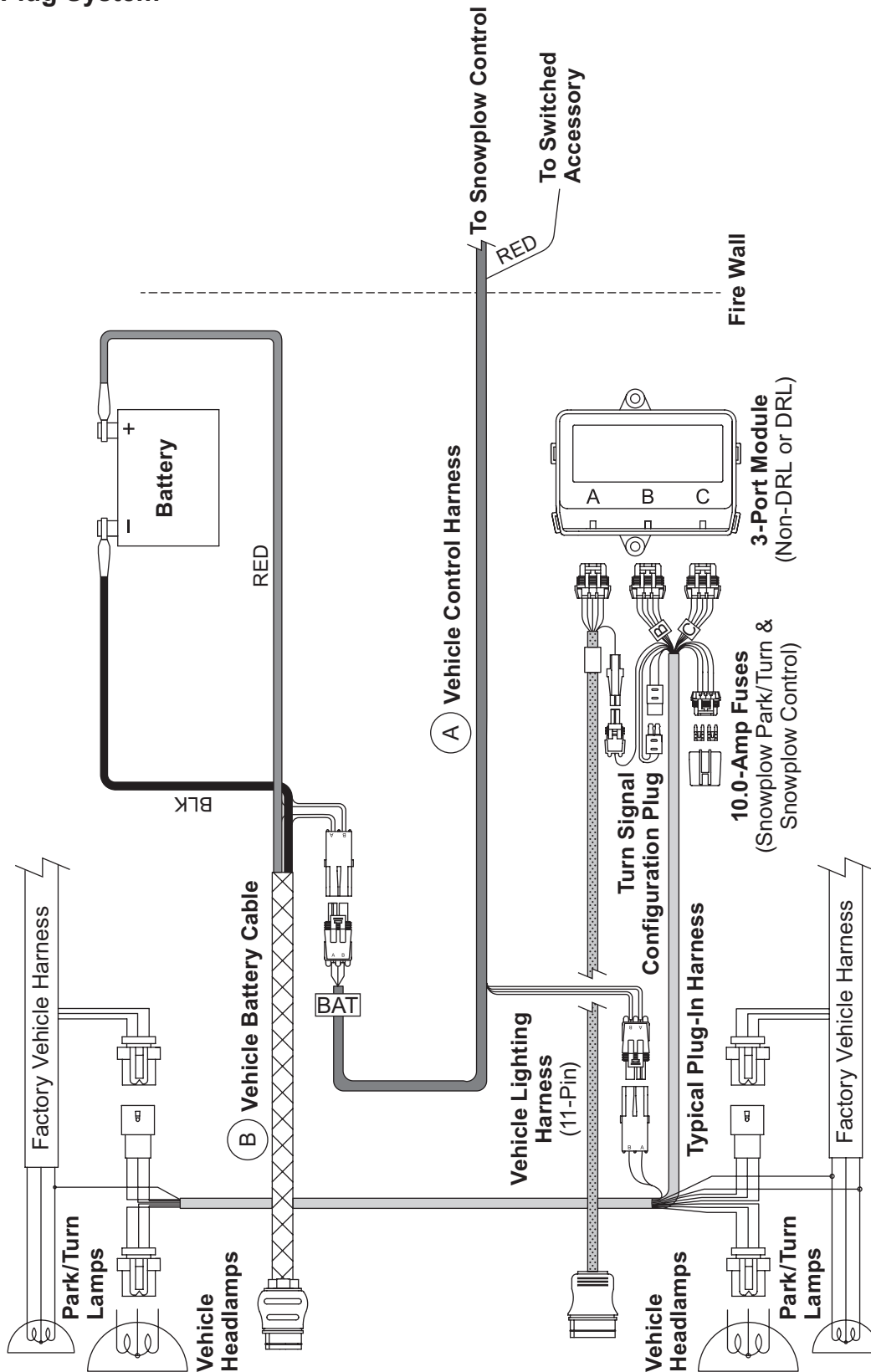
\* For diagram, see Vehicle-Side Harness Diagram.

\*\* For diagram, see Vehicle-Side Harness Diagram – Central Hydraulics.

† Not used for Central Hydraulics.

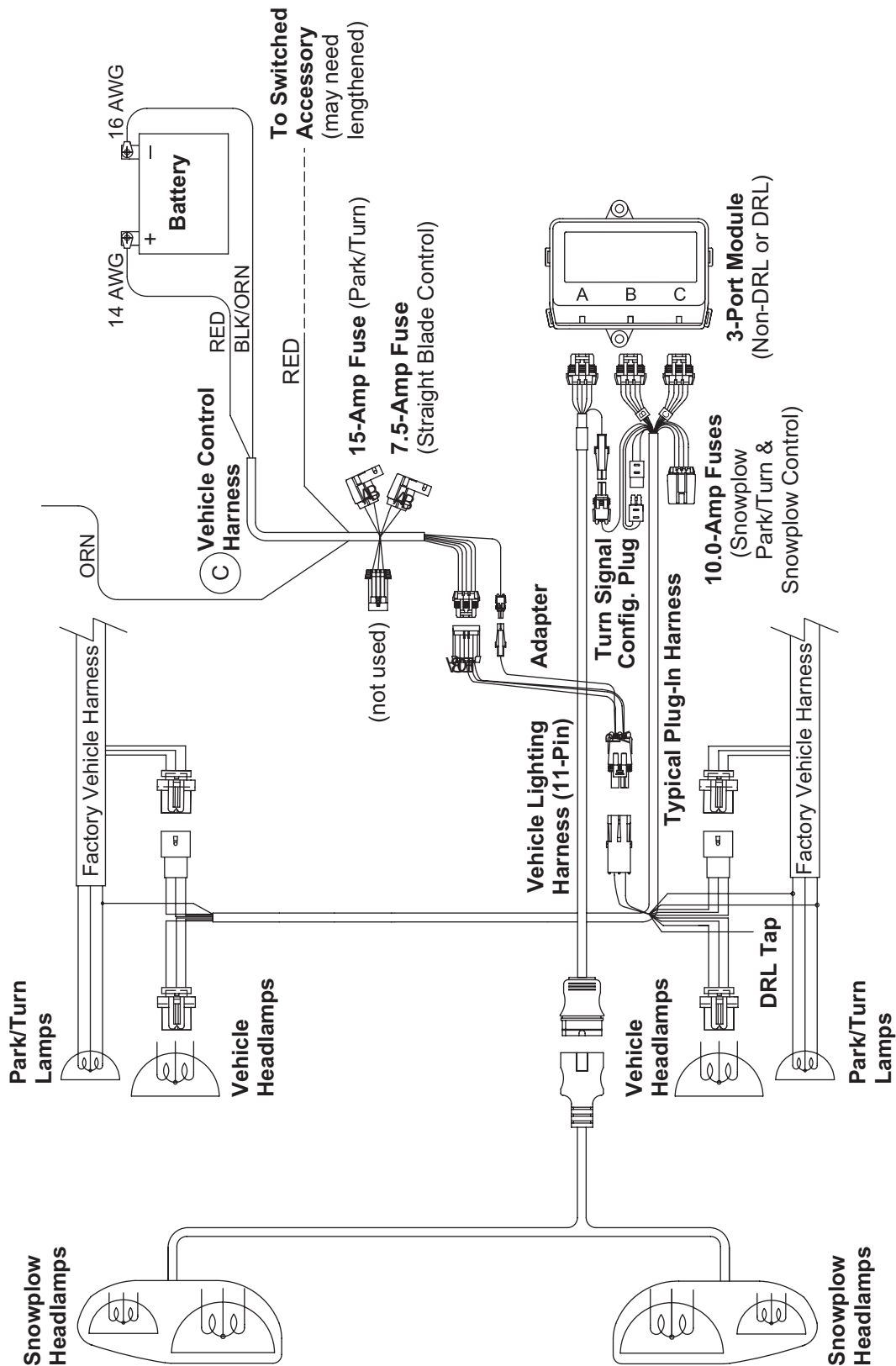
# MVP PLUS™ H,L&T CENTER ASSEMBLY 75300

## Vehicle-Side Harness Diagram 3-Port, 2-Plug System



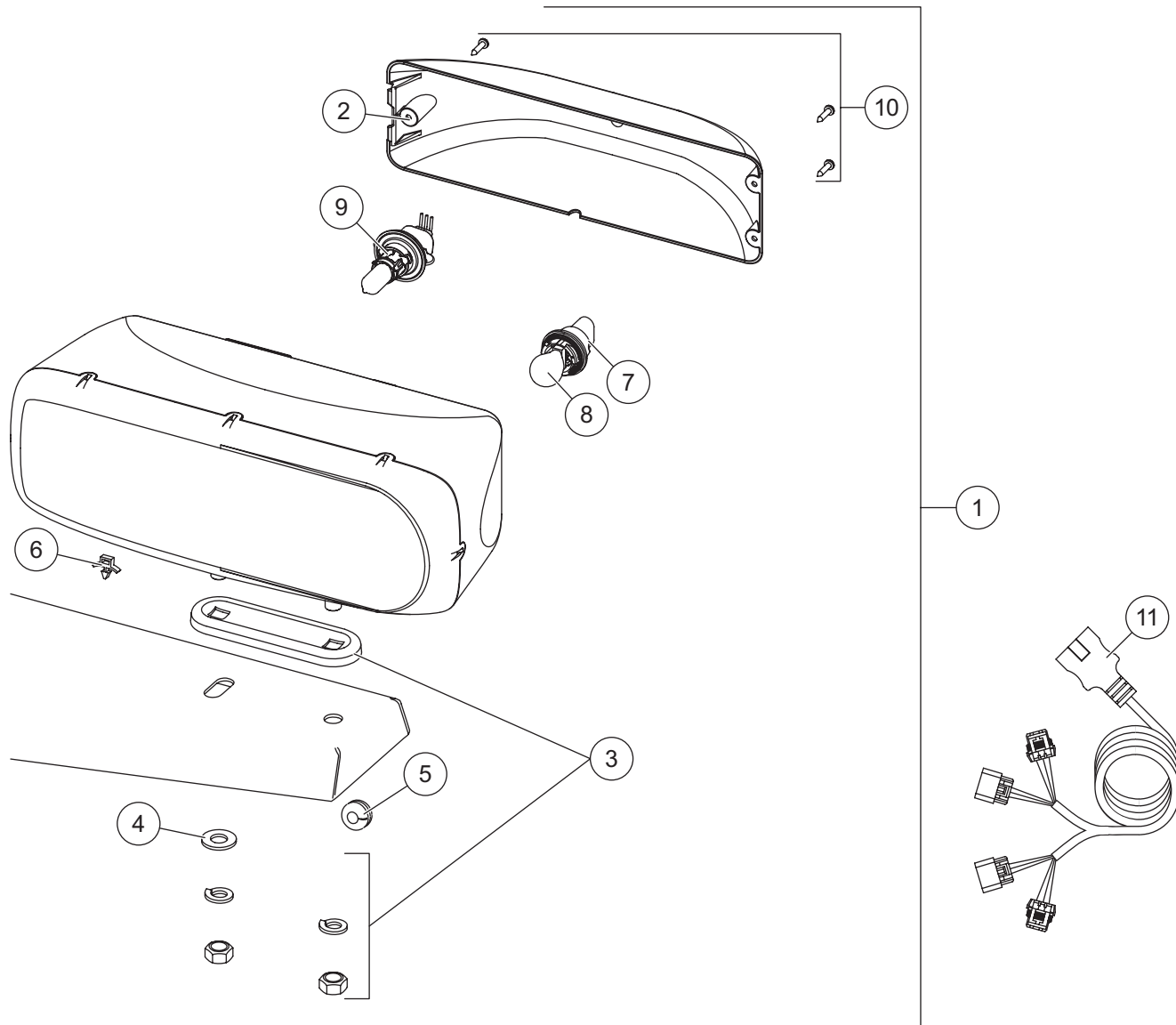
# MVP PLUS™ H,L&T CENTER ASSEMBLY 75310(CH)

## Vehicle-Side Harness Diagram – Central Hydraulics



MVP PLUS™ H,L&T CENTER ASSEMBLY 75300/75310(CH)

Headlamp Kit



28800-1 Headlamp Kit (Pair)

Item	Part	Qty	Description	Item	Part	Qty	Description
1	28801-1	1	Headlamp Service Kit – DS	6	56595	7	Cable Tie Anchor
ns	28802-1	1	Headlamp Service Kit – PS	7	28805	2	Park/Turn Socket Service Kit
2	28803-1	2	Rear Cover Kit (fits 2- or 3-screw)	8		2	Park/Turn Bulb (trade no. 4157NAK)
3	28804	2	Mounting Hardware Kit	9	28806	2	H13 Headlamp Bulb Service Kit
4	91105	2	1/2 Flat Washer	10	28808-1	2	Cover Screws Service Kit (pkg of 3)
5	66130	2	Rubber Grommet	11	28213W	1	Harness Service Kit

ns = not shown



Western Products  
PO Box 245038  
Milwaukee, WI 53224-9538  
www.westernplows.com

 A DIVISION OF DOUGLAS DYNAMICS, LLC

Copyright © 2014 Douglas Dynamics, LLC. All rights reserved. This material may not be reproduced or copied, in whole or in part, in any printed, mechanical, electronic, film or other distribution and storage media, without the written consent of Western Products. Authorization to photocopy items for internal or personal use by Western Products outlets or snowplow owner is granted.

Western Products reserves the right under its product improvement policy to change construction or design details and furnish equipment when so altered without reference to illustrations or specifications used. Western Products or the vehicle manufacturer may require or recommend optional equipment for snow removal. Do not exceed vehicle ratings with a snowplow. Western Products offers a limited warranty for all snowplows and accessories. See separately printed page for this important information. The following are registered (®) or unregistered (™) trademarks of Douglas Dynamics, LLC: CONTRACTOR GRADE®, MVP PLUS™, ULTRAFINISH™, UltraMount®, UltraMount® 2, WESTERN®.

**Printed in U.S.A.**