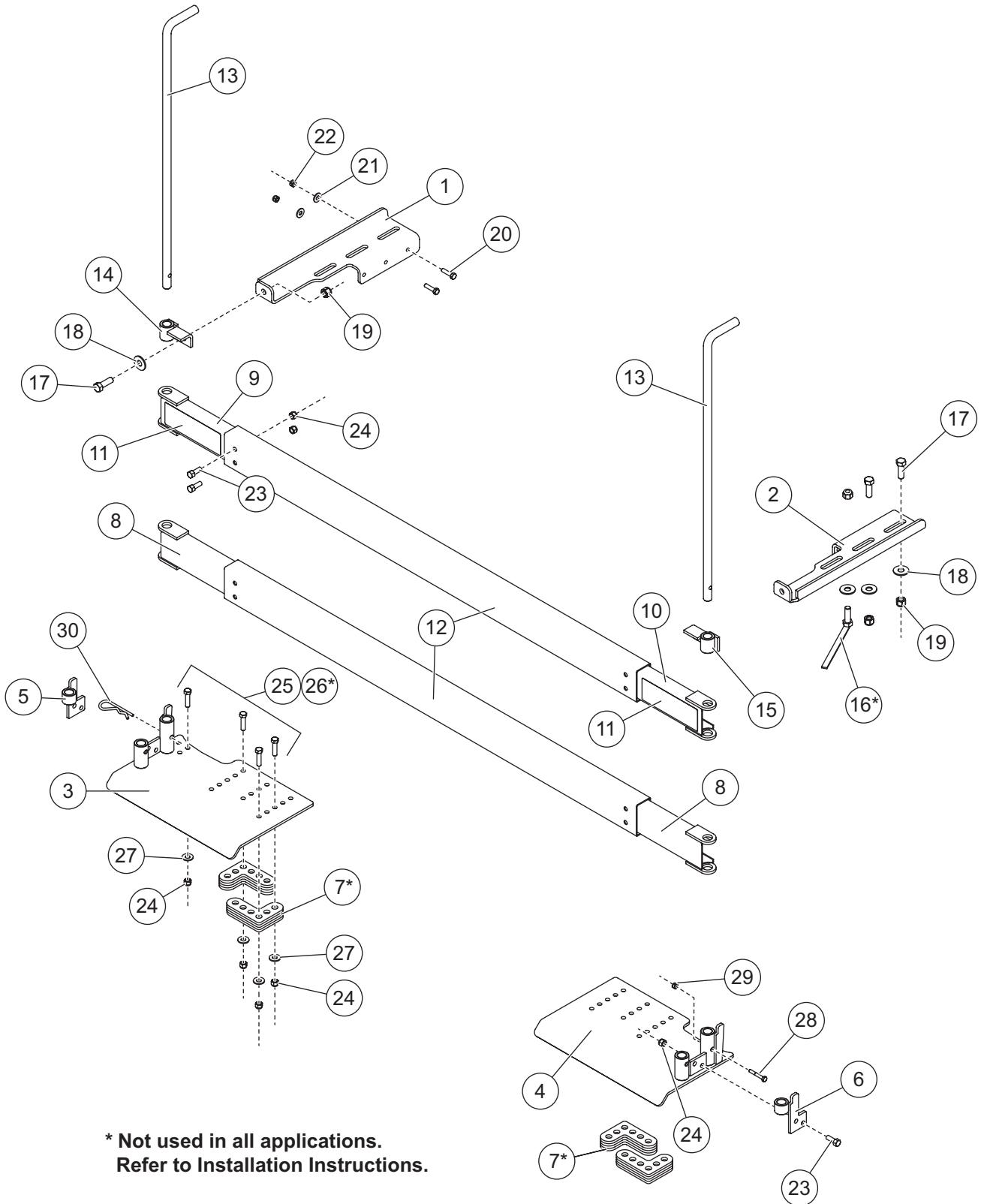


PARTS LIST



67435-1 SWING AWAY® Mount							
Item	Part	Qty	Description	Item	Part	Qty	Description
1	68702-1	1	Top Bracket – DS	10	68766	1	End Channel Assembly w/Label – PS
2	68703-1	1	Top Bracket – PS	11	P2110	2	Label – Caution
3	43244	1	Base Plate – DS	12	P2039	2	Connector Channel
4	43243	1	Base Plate – PS	13	P2038	2	Hinge Pin
5	43259	1	Bolt-On Stop – DS	14	68712	1	Top Swivel Support – DS
6	43256	1	Bolt-On Stop – PS	15	68761	1	Top Swivel Support – PS
7	43232	16	L-Shim	16	21590	2	1/2-13 x 1-1/2 Hex Cap Screw w/Handle G5
8	68714	2	End Channel Assembly (no label)	ns	43267	1	Bolt Bag – 67435-1
9	68765	1	End Channel Assembly w/Label – DS				
43267 Bolt Bag – 67435-1							
17		6	1/2-13 x 1-1/2 Hex Cap Screw G5	24		20	3/8-16 Hex Locknut GB
18		6	1/2 Flat Washer	25		8	3/8-16 x 1-1/2 Hex Cap Screw G5
19		6	1/2-13 Hex Locknut GB	26		8	3/8-16 x 2-1/2 Hex Cap Screw G5
20		4	5/16-18 x 1-1/4 Hex Cap Screw G5	27		8	3/8 Flat Washer Type A
21		4	5/16 Flat Washer	28		1	1/4-20 x 1-3/4 Hex Cap Screw G5
22		4	5/16-18 Hex Locknut	29		1	1/4-20 Hex Locknut GB
23		12	3/8-16 x 1 Hex Cap Screw G5	30		1	3-3/4 Hairpin Cotter
ns = not shown				G = Grade			

Copyright © 2018 Douglas Dynamics, LLC. All rights reserved. This material may not be reproduced or copied, in whole or in part, in any printed, mechanical, electronic, film, or other distribution and storage media, without the written consent of the company. Authorization to photocopy items for internal or personal use by the company's outlets or spreader owner is granted.

The company reserves the right under its product improvement policy to change construction or design details and furnish equipment when so altered without reference to illustrations or specifications used. This equipment manufacturer or the vehicle manufacturer may require or recommend optional equipment for spreaders. Do not exceed vehicle ratings with a spreader. The company offers a limited warranty for all spreaders and accessories. See separately printed page for this important information. The following is a registered trademark of Douglas Dynamics, LLC: SWING AWAY®.

Printed in U.S.A.