

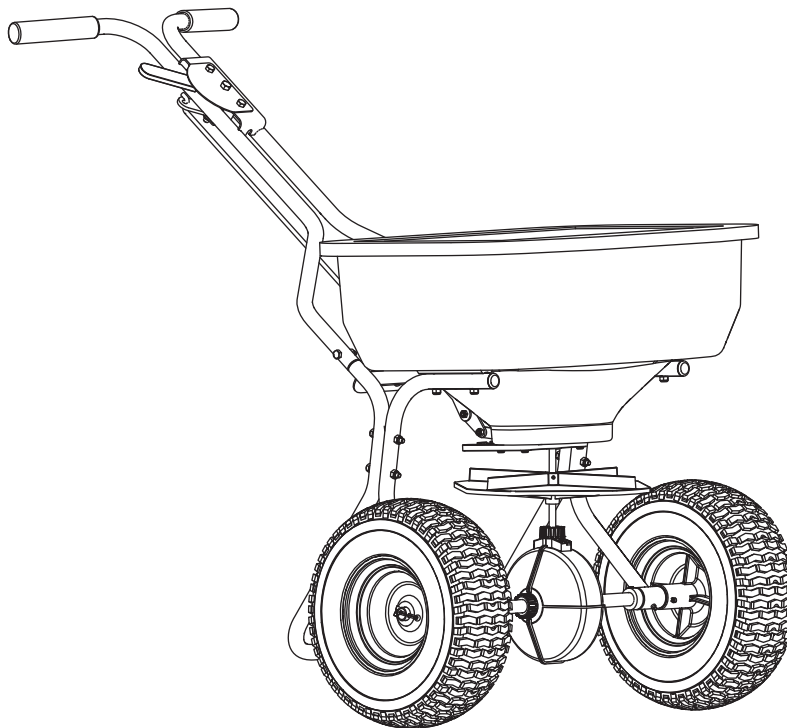


WB-100B

Walk-Behind Broadcast Spreader

85101

Owner's Manual and Installation Instructions
Original Instructions



⚠ CAUTION

Read this document before operating or
servicing the spreader.

This document is for WESTERN® WB-100B walk-behind broadcast spreaders
with serial numbers beginning with 0000 and higher.

This document supersedes all editions with an earlier date.

www.storksplows.com
TABLE OF CONTENTS

PREFACE 5
 Owner's Information Form 5
SAFETY 6
LOADING 8
ASSEMBLY 9

PREFACE

This manual has been prepared to acquaint you with the safety information, operation, and maintenance of your new walk-behind spreader. Please read this manual carefully and follow all recommendations. This will help ensure profitable and trouble-free operation of your spreader. Keep this manual accessible. It is a handy reference in case minor service is required.

When service is necessary, bring your walk-behind spreader to your distributor. They know your spreader best and are interested in your complete satisfaction.

Register your spreader online at www.westernplows.com

OWNER'S INFORMATION

Owner's Name: _____

Date Purchased: _____

Outlet Name: _____ Phone: _____

Outlet Address: _____

Spreader Type (Model): _____ Weight: _____ lb/kg

Spreader Serial Number: _____

SAFETY

SAFETY DEFINITIONS

⚠ WARNING

Indicates a potentially hazardous situation that, if not avoided, could result in death or serious personal injury.

⚠ CAUTION

Indicates a potentially hazardous situation that, if not avoided, may result in minor or moderate injury. It may also be used to alert against unsafe practices.

NOTE: Indicates a situation or action that can lead to damage to your spreader and vehicle or other property. Other useful information can also be described.

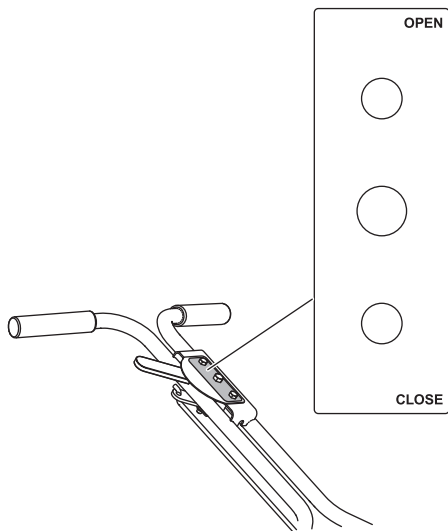
LABELS

Please become familiar with the labels on the spreader.

NOTE: If labels are missing or cannot be read, see your sales outlet.

Code	Definition
MM	2-Digit Month
YY	2-Digit Year
LL	2-Digit Location Code
####	4-Digit Sequential Number
PPPPP	5-Digit Assembly PN

Open/Close Label



Serial Number Label



SAFETY

SAFETY PRECAUTIONS

Improper installation and operation could cause personal injury and/or equipment and property damage. Read and understand labels and this Owner's Manual before assembling, operating, or making adjustments.

WARNING

- Always make sure personnel are clear of areas of danger when using equipment.
- Before working with the spreader, secure all loose-fitting clothing and unrestrained hair.
- Do not climb into or ride on spreader.
- Never attempt to lift a unit with material in it.
- Always inspect unit for defects and replace any broken, missing, or worn parts immediately.
- Always check areas to be spread to be sure no hazardous conditions or substances are in the area.

CAUTION

- Do not operate a spreader in need of maintenance.
- Before operating the spreader, reassemble any parts or hardware removed for cleaning or adjusting.
- Before operating the spreader, remove materials such as cleaning rags, brushes, and hand tools from the spreader.
- Never use wet materials or materials with foreign debris with this spreader. This unit is designed to handle dry, clean, free-flowing material.

CAUTION



DO NOT leave unused material in hopper. Material can freeze or solidify, causing unit to not work properly. Empty and clean after each use.

NOTE: Lubricate grease fittings after each use. Use a good quality multipurpose grease.

PERSONAL SAFETY

- Wear only snug-fitting clothing while working on your spreader.
- Do not wear jewelry or a necktie, and secure long hair.
- Wear safety goggles to protect your eyes from dirt and dust.

NOISE

Airborne noise emission during use is below 70 dB(A) for the spreader operator.

VIBRATION

Operating spreader vibration does not exceed 2.5 m/s² to the hand-arm or 0.5 m/s² to the whole body.

LOADING

LOADING YOUR SPREADER

WARNING

Do not overload spreader. Use chart below to calculate weight of material. Weights of material are an average for dry materials.

Material Weights

CAUTION



Read and adhere to manufacturer's ice-control material package labeling including Safety Data Sheet requirements.

Material	Density (lb/ft ³)
Rock Salt	80-90

WARNING

Never remove spreader from vehicle with material in it as this could cause damage to the frame assembly.

CAUTION



DO NOT leave unused material in hopper. Material can freeze or solidify, causing unit to not work properly. Empty and clean after each use.

SPREADING TIPS

- Use care when operating spreader near pedestrians.
- Spread ice melting materials "with the storm" to prevent unmanageable levels of ice from building up.
- For a wider pass, increase pace.
- For a heavier pass, decrease pace.

ACCESSORIES

A Poly Deflector Kit accessory (PDK-020) is available from your distributor. It provides a tighter spread pattern for areas such as sidewalks and walkways.

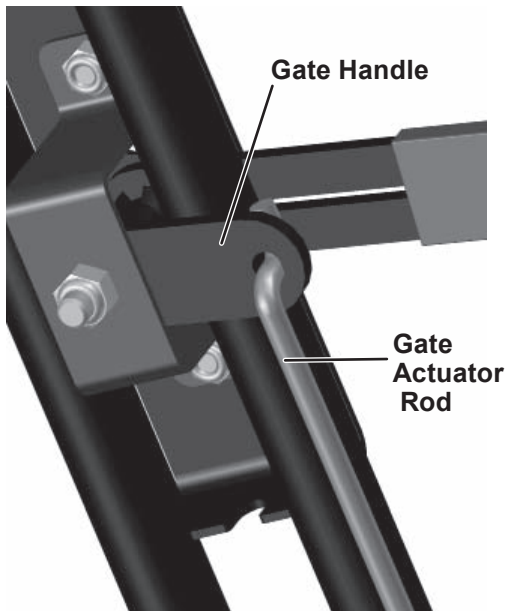
ASSEMBLY

ASSEMBLING YOUR SPREADER

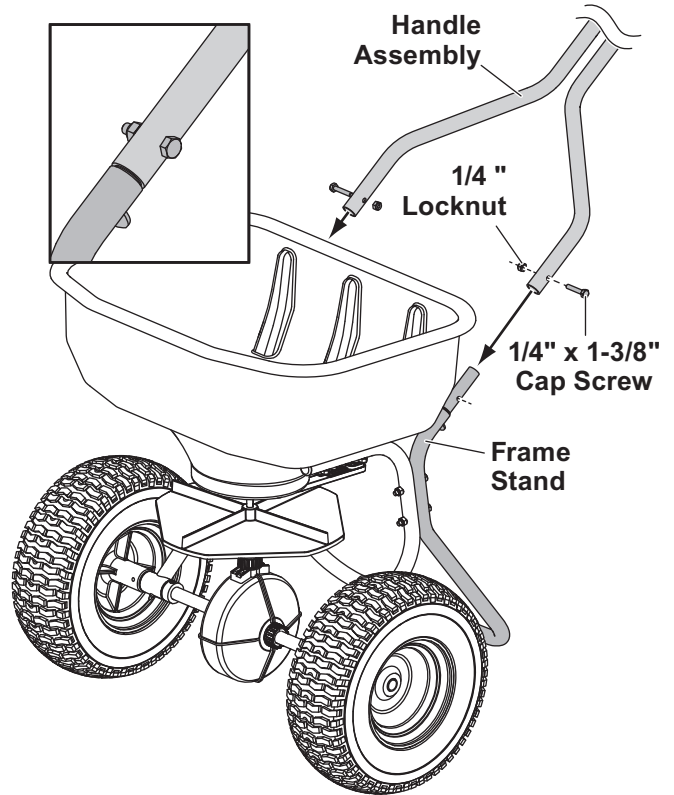
⚠ WARNING

Use safety glasses and gloves when inflating and installing the tires. Use manual pump only to inflate. Refer to the tire sidewall for manufacturer's recommended pressure. Do not exceed the maximum inflation pressure.

1. The spreader is shipped with tires partially inflated. Using a manual pump, fully inflate the tires to the psi setting shown on the tire sidewall.
2. Feed the gate actuator rod through the keyhole slot in the frame stand.
3. Move the gate handle to the fully open position.
4. Insert the upper end of the gate actuator rod into the gate handle.

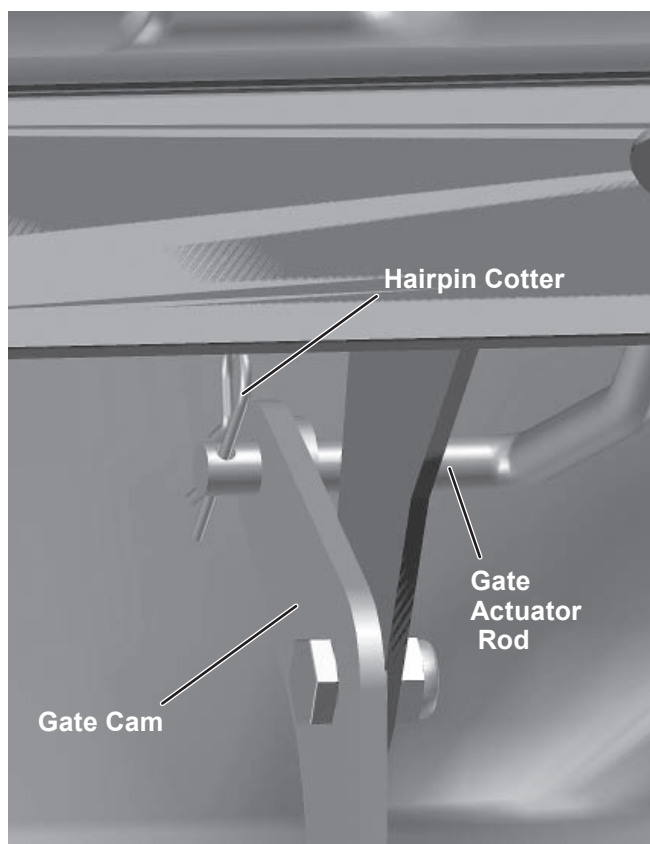


5. Slide the handle assembly on to the frame stand and fasten with two 1/4" x 1-3/8" cap screws and 1/4" locknuts.



ASSEMBLY

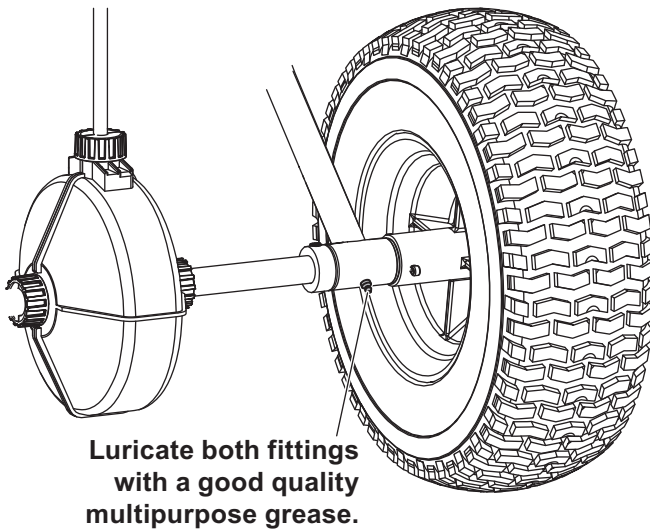
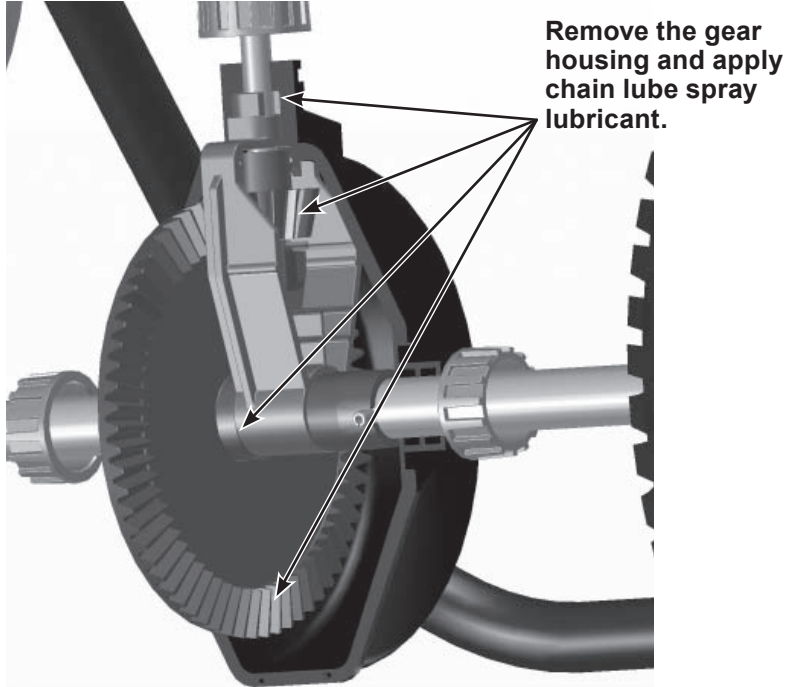
6. Insert the gate actuator rod end into the gate cam and secure with a hairpin cotter.



7. Spin the tires and make sure the spreader is running smoothly.
8. Tighten all fasteners.
9. Place the screen inside the hopper and put the hopper cover on.

LUBRICATION

To keep your spreader running smoothly, observe the following recommendations:



NOTE: Gears and axles must be lubricated and greased every 20 hours of use.



Western Products
PO Box 245038
Milwaukee, WI 53224-9538
www.westernplows.com

 A DIVISION OF DOUGLAS DYNAMICS, LLC



This product conforms to EU Machinery Directive 2006/42/EC.

Copyright © 2019 Douglas Dynamics, LLC. All rights reserved. This material may not be reproduced or copied, in whole or in part, in any printed, mechanical, electronic, film, or other distribution and storage media, without the written consent of Western Products. Authorization to photocopy items for internal or personal use by Western Products outlets or spreader owner is granted.

Western Products reserves the right under its product improvement policy to change construction or design details and furnish equipment when so altered without reference to illustrations or specifications used. Western Products offers a limited warranty for all spreaders and accessories. See separately printed page for this important information. The following is a registered (®) trademark of Douglas Dynamics, LLC: WESTERN®.

Printed in U.S.A.