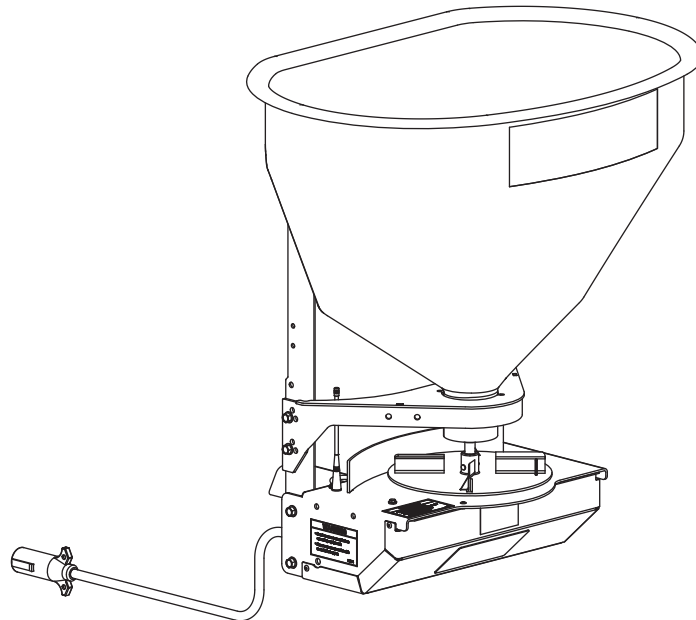




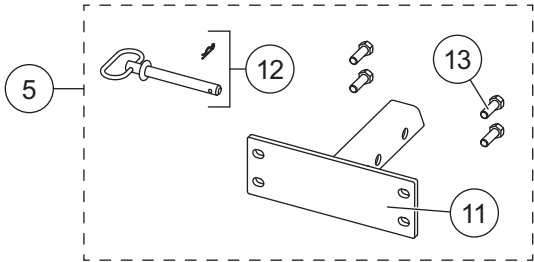
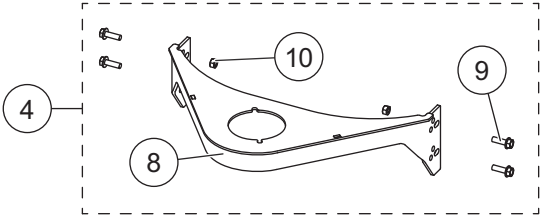
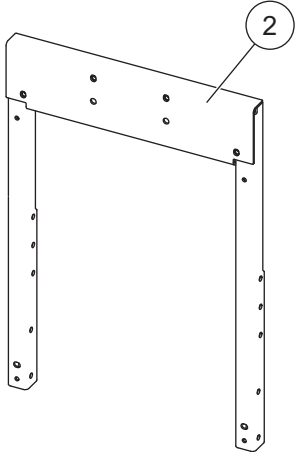
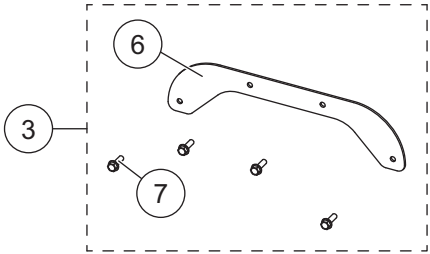
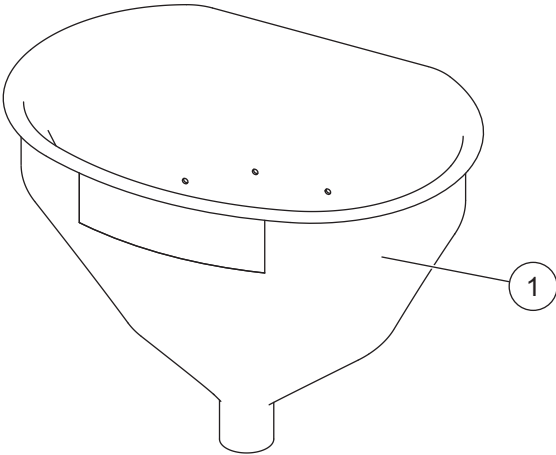
91600
Hopper and Drive Components
LOW-PRO 300W Low-Profile Tailgate Spreader
Parts List



This Parts List is for WESTERN® LOW-PRO 300W Low-Profile Tailgate Spreaders
with serial numbers beginning with 150401 and higher.

LOW-PRO 300W LOW-PROFILE TAILGATE SPREADER

HOPPER COMPONENTS

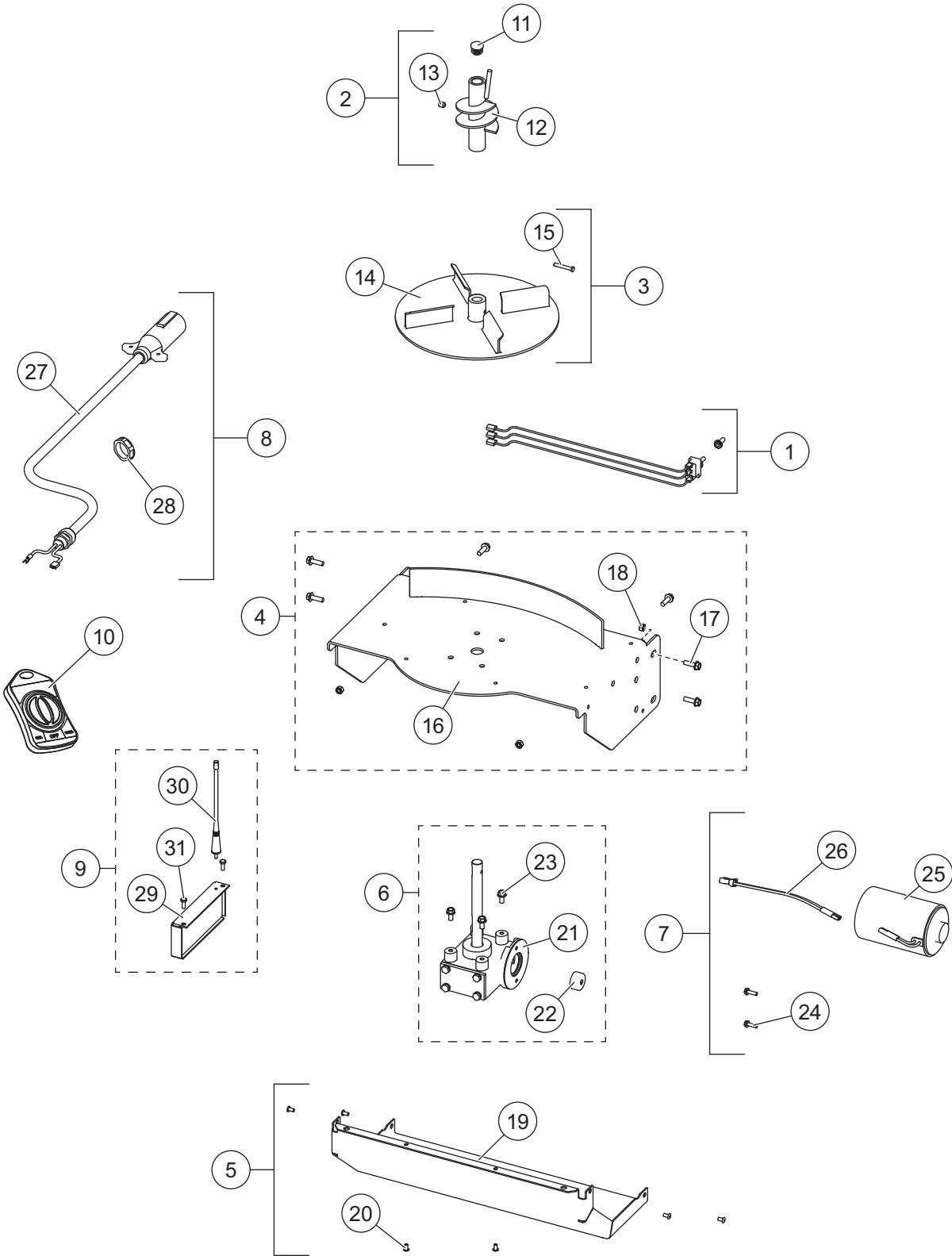


LOW-PRO 300W LOW-PROFILE TAILGATE SPREADER

Hopper Components							
Item	Part	Qty	Description	Item	Part	Qty	Description
1	75929	1	Hopper, LOW PRO 300W (red)	4	75617	1	Hopper Throat Kit
2	75572	1	Hopper Frame	5	75619	1	Receiver Kit
3	75570	1	Hopper Support Kit	ns	75563	1	FCC Compliance Label Kit
Item 3				75570 Hopper Support Kit			
6		1	Backing Plate	ns		4	5/16-18 Serrated Flange Nut
7		4	5/16-18 x 1 Serrated Cap Screw				
Item 4				75617 Hopper Throat Kit			
8		1	Throat Support	10		4	5/16-18 Serrated Flange Nut
9		4	5/16-18 x 1 Serrated Hex Cap Screw				
Item 5				75619 Receiver Kit			
11		1	Hitch, 2" Receiver Utility	13		4	1/2-13 x 1-1/2 Hex Cap Screw G5
12	75620	1	5/8 x 5-1/2 Hitch Pin w/Hairpin Cotter				
ns = not shown				G = Grade			

LOW-PRO 300W LOW-PROFILE TAILGATE SPREADER

DRIVE COMPONENTS



LOW-PRO 300W LOW-PROFILE TAILGATE SPREADER

Drive Components							
Item	Part	Qty	Description	Item	Part	Qty	Description
1	75568	1	Switch Assembly w/Cover	6	75625	1	Transmission Kit
2	75615	1	Auger Kit	7	75565	1	Motor Kit
3	75618	1	Spinner Kit	8	75566	1	7-Way Spreader Harness Kit
4	75628	1	Transmission Enclosure Kit	9	75564	1	Wireless Spreader Control Kit
5	75624	1	Transmission Enclosure Cover Kit	10	75910‡	1	Wireless Key Fob Control
Item 2 75615 Auger Kit							
11		1	Auger Cap	13		1	5/16-18 x 3/8 Set Screw
12		1	Auger				
Item 3 75618 Spinner Kit							
14		1	Spinner, Poly	15		1	3/16 x 1-1/4 Clevis Pin
Item 4 75628 Transmission Enclosure Kit							
16		1	Transmission Mount	ns	75621	1	Label – Warning, Hands & Feet
17		6	5/16-18 x 1 Serrated Hex Cap Screw	ns	75622	1	Label – Warning, Maximum Weight
18		4	5/16-18 Serrated Flange Nut	ns	75623	1	Label – Warning, Read Manual
ns	11100	1	Label – Warning, Rear Camera				
Item 5 75624 Transmission Enclosure Cover Kit							
19		1	Transmission Enclosure Cover	20		6	3/16 x .354 Rivet
Item 6 75625 Transmission Kit							
21		1	Transmission 14.5:1	23		4	1/4-20 x 1/2 Serrated Flange Hex Cap Screw SS
22		1	Motor Drive Coupler				
Item 7 75565 Motor Kit							
24		2	#10-32 x 5/8 Serrated Hex Cap Screw	26		1	Motor Connector Adapter
25		1	3 x 3.8 12V DC Motor				
Item 8 75566 7-Way Spreader Harness Kit							
27		1	7-Way Spreader Harness	28		1	1/2" NPT Nut Black Nylon
Item 9 75564 Wireless Spreader Control Kit							
29		1	Wireless Spreader Control	31		2	#10-32 x 1/2 Hex Cap Screw
30		1	Antenna				
SS = Stainless Steel				ns = not shown			

‡ = Uses CR2032 battery or equivalent

LOW-PRO 300W LOW-PROFILE TAILGATE SPREADER



Western Products
PO Box 245038
Milwaukee, WI 53224-9538
www.westernplows.com

 A DIVISION OF DOUGLAS DYNAMICS, LLC

Copyright © 2018 Douglas Dynamics, LLC. All rights reserved. This material may not be reproduced or copied, in whole or in part, in any printed, mechanical, electronic, film, or other distribution and storage media, without the written consent of Western Products. Authorization to photocopy items for internal or personal use by Western Products outlets or spreader owner is granted.

Western Products reserves the right under its product improvement policy to change construction or design details and furnish equipment when so altered without reference to illustrations or specifications used. Western Products or the vehicle manufacturer may require or recommend optional equipment for spreaders. Do not exceed vehicle ratings with a spreader. Western Products offers a limited warranty for all spreaders and accessories. See separately printed page for this important information. The following is a registered (®) trademark of Douglas Dynamics, LLC: WESTERN®.

Printed in U.S.A.