

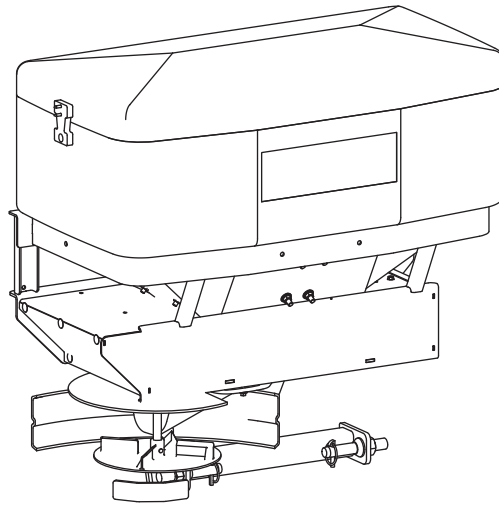
**PRO-FLO™ 525**



# Hopper and Drive Components

## PRO-FLO™ 525 Low-Profile Tailgate Spreader

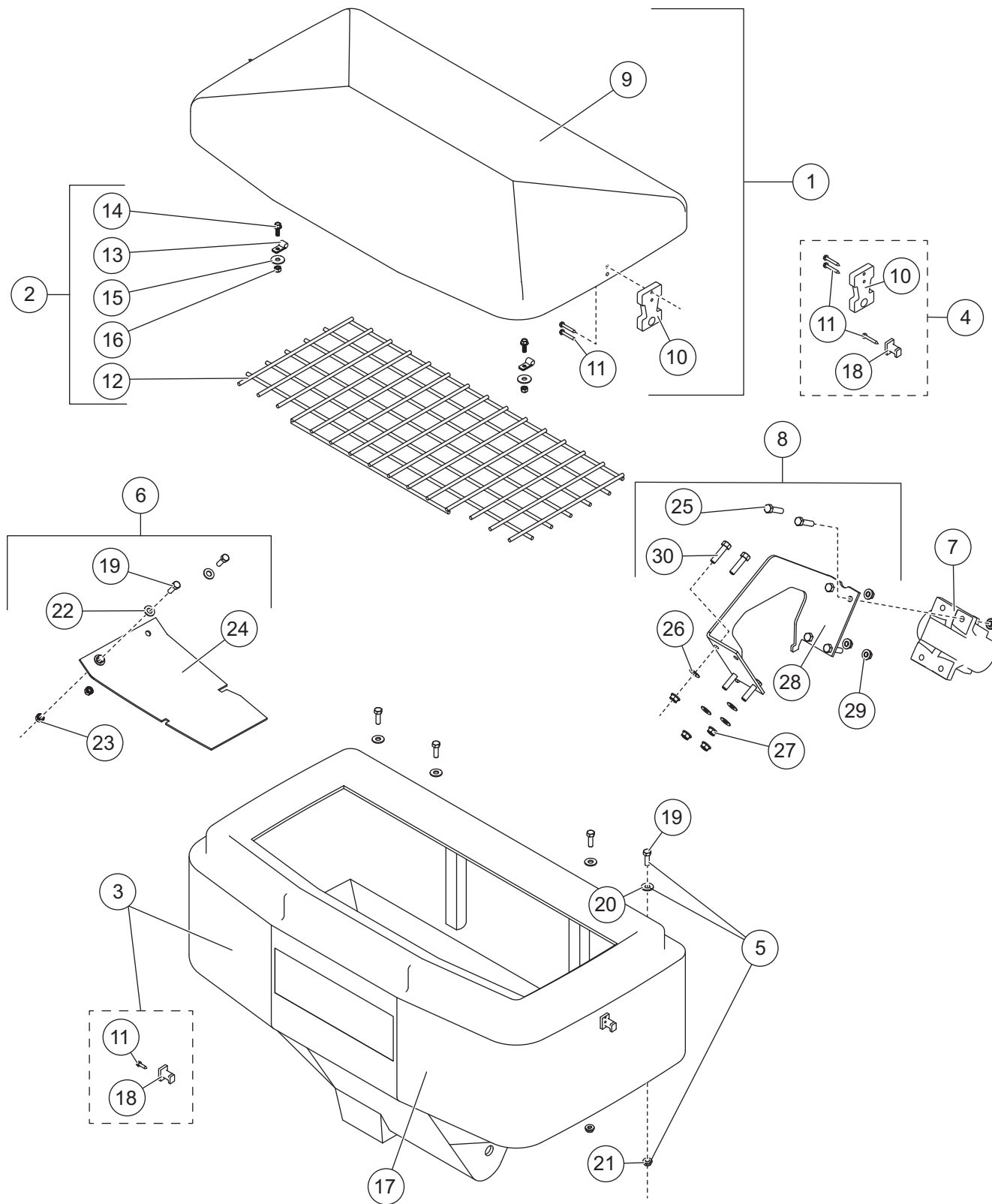
### Parts List



This Parts List is for WESTERN® PRO-FLO 525 Low-Profile Tailgate Spreaders with serial numbers beginning with 150601 and higher.

# PRO-FLO™ 525 LOW-PROFILE TAILGATE SPREADER

## HOPPER, VIBRATOR & BAFFLE

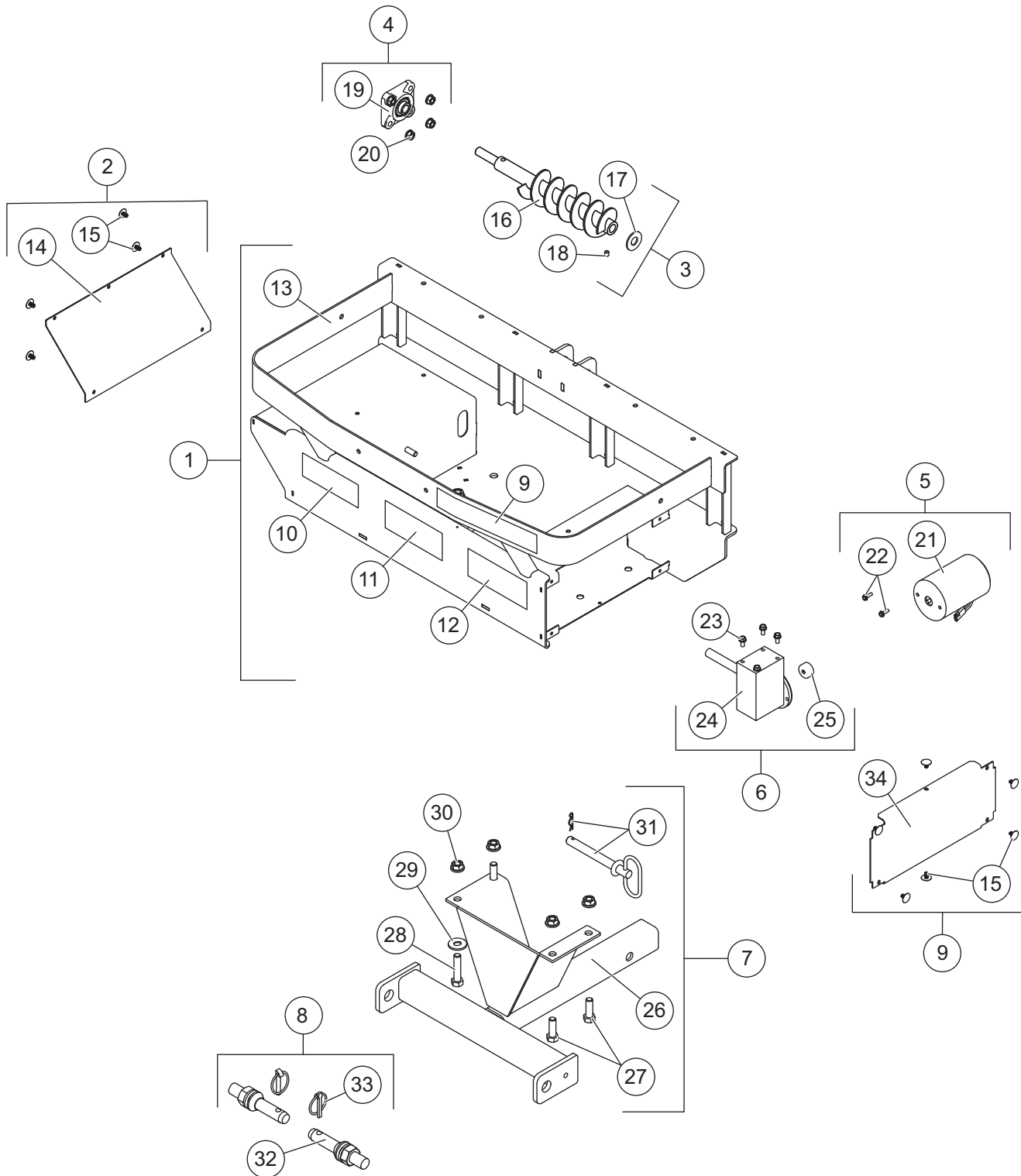


**PRO-FLO™ 525 LOW-PROFILE TAILGATE SPREADER**

<b>Hopper, Vibrator &amp; Baffle</b>							
<b>Item</b>	<b>Part</b>	<b>Qty</b>	<b>Description</b>	<b>Item</b>	<b>Part</b>	<b>Qty</b>	<b>Description</b>
1	75630	1	Lid Kit PRO-FLO 525	5	75659	1	Hopper Hardware Kit PRO-FLO 525
2	75655	1	Top Screen Kit 30 x 14	6	75657	1	Baffle Kit PRO-FLO 525
3	75906	1	Hopper Kit PRO-FLO 525	7	75673	1	Vibrator – DC-80
4	75612	1	Hopper Strap Kit	8	75658	1	Vibrator Mount Kit
<b>Item 1</b>				<b>75630 Lid Kit PRO-FLO 525</b>			
9		1	Lid Assembly	11		4	#10 x 3/4 HWH Slotted Cap Screw
10		2	Flexible Draw Latch				
<b>Item 2</b>				<b>75655 Top Screen Kit 30 x 14</b>			
12		1	Top Screen 30 x 14	15		2	1/4 x 1 Washer
13		2	5/16 Clamp	16		2	1/4 Hex Locknut SS
14		2	1/4-20 x 3/4 Hex Cap Screw Serrated Flange SS				
<b>Item 3</b>				<b>75906 Hopper Kit PRO-FLO 525</b>			
11		2	#10 x 3/4 HWH Slotted Cap Screw	18		2	Latch Keeper
17		1	Hopper 5.25 cu ft – Red				
<b>Item 4</b>				<b>75612 Hopper Strap Kit</b>			
10		2	Flexible Draw Latch	18		2	Latch Keeper
11		6	#10 x 3/4 HWH Slotted Cap Screw				
<b>Item 5</b>				<b>75659 Hopper Hardware Kit PRO-FLO 525</b>			
19		4	5/16-18 x 1 Hex Cap Screw	21		4	5/16-18 Serrated Flange Nut
20		4	5/16 Flat Washer				
<b>Item 6</b>				<b>75657 Baffle Kit PRO-FLO 525</b>			
19		2	5/16-18 x 1 Hex Cap Screw	23		2	5/16-18 Hex Locknut Ext. Tooth GB
22		2	3/8 Flat Washer SS	24		1	Material Baffle PRO-FLO 525
<b>Item 8</b>				<b>75658 Vibrator Mount Kit</b>			
25		4	3/8-16 x 1-1/2 Hex Cap Screw	28		1	Vibrator Mount Bracket
26		4	3/8 Flat Washer SS	29		4	3/8-16 Hex Locknut
27		4	3/8-16 Serrated Flange Nut	30		4	3/8-16 x 1 SS
SS = Stainless Steel				G = Grade			

# PRO-FLO™ 525 LOW-PROFILE TAILGATE SPREADER

## FRAME, AUGER & HITCH

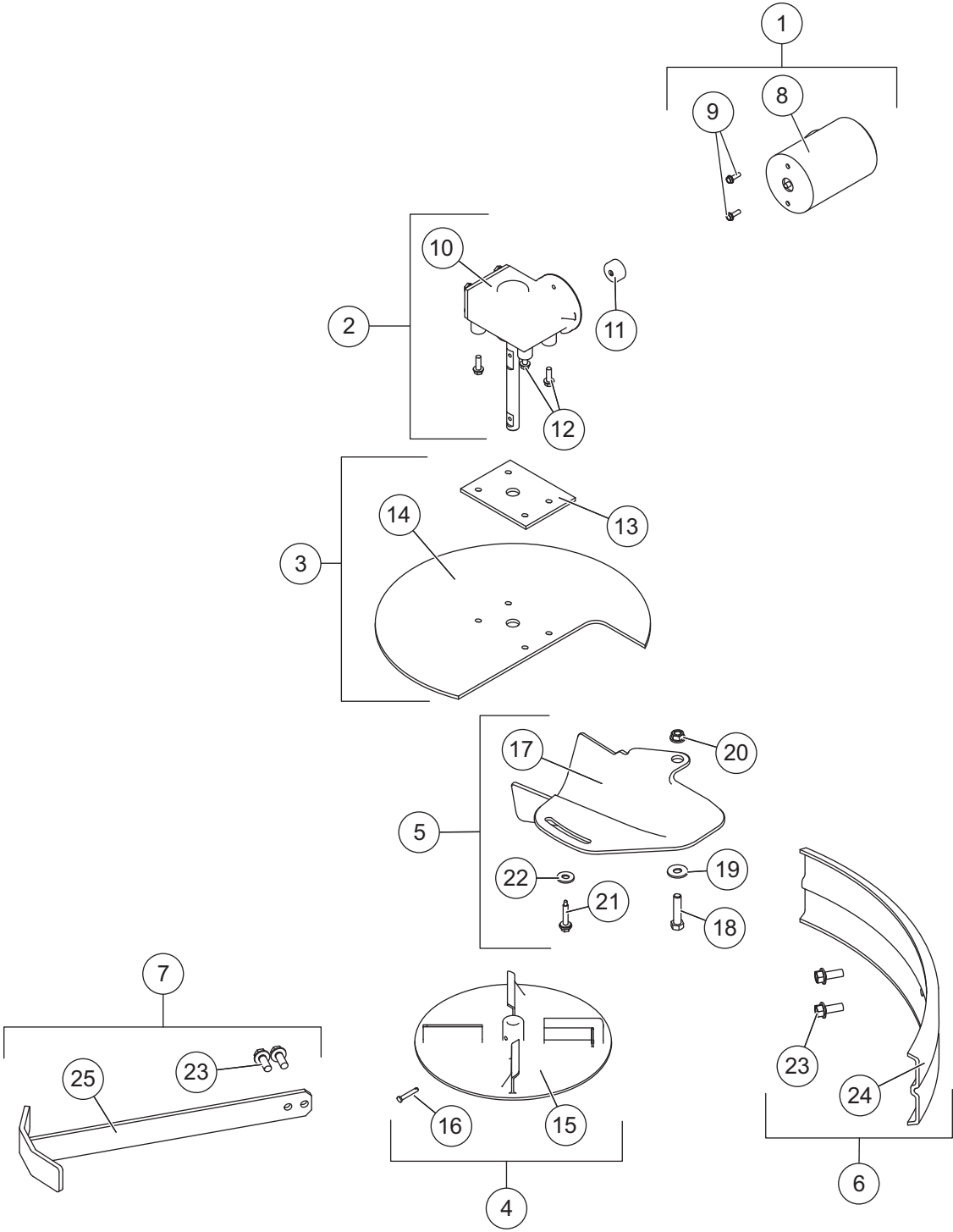


**PRO-FLO™ 525 LOW-PROFILE TAILGATE SPREADER**

Frame, Auger & Hitch							
Item	Part	Qty	Description	Item	Part	Qty	Description
1	75902	1	Frame Kit PRO-FLO 525	7	75654	1	Hitch Kit PRO-FLO 525
2	75667	2	Side Cover Kit PRO-FLO 525	8	75666	1	Lift Arm Pin Kit
3	75661	1	Auger Kit PRO-FLO 525	9	42526	1	Label – PRO-FLO 525
4	75660	1	Bearing Kit	10	75621	1	Label – Warning, Hands and Feet
5	75901	1	Motor Kit	11	75669	1	Label – Warning, Rotating Auger
6	75670	1	Auger Transmission Kit PRO-FLO 525	12	75623	1	Label – Warning, Read Manual
<b>Item 1 75902 Frame Kit, PRO-FLO 525</b>							
9	42526	1	Label – PRO-FLO 525	12	75623	1	Label – Warning, Read Manual
10	75621	1	Label – Warning, Hands and Feet	13		1	Main Frame PRO-FLO 525
11	75669	1	Label – Warning, Rotating Auger				
<b>Item 2 75558 Drive Cover Kit PRO-FLO 525</b>							
14		1	Drive Cover PRO-FLO 525	15		5	1/4 x 3/4 x 1/2 Push Retainer Nylon
<b>Item 3 75661 Auger Kit PRO-FLO 525</b>							
16		1	2-5/8 x 14 x 1-3/8 Auger	18		1	5/16-18 x 3/8 Socket Head Set Screw
17	D5115	1	5/8 Flat Washer Nylon				
<b>Item 4 75660 Bearing Kit</b>							
19		1	5/8 Bearing 4-Bolt Flange	20		4	3/8-16 Serrated Flange Nut
<b>Item 5 75901 Motor Kit</b>							
21		1	Motor 12V DC, 3 x 3.8	22		2	#10-32 x 5/8 Hex Cap Screw Serrated Flange w/Patch
<b>Item 6 75670 Auger Transmission Kit</b>							
23		4	1/4-20 x 1/2 Hex Cap Screw Serrated Flange SS	24		1	Transmission 30:1 Worm Gear
				25	D6232	1	Motor Drive Coupler
<b>Item 7 75654 Receiver Hitch Kit PRO-FLO 525</b>							
26		1	2" Receiver Hitch	29		1	1/2 Flat Washer, Hardened
27		3	1/2-13 x 1 Hex Cap Screw	30		4	1/2-13 Serrated Flange Nut
28		1	1/2-13 x 1-1/2 Hex Cap Screw	31	75620	1	Hitch Pin with Cotter
<b>Item 8 75666 Lift Arm Pin Kit</b>							
32		2	7/8 x 5-1/2 Lift Arm Pin	33		2	5/16 x 1-9/16 Linch Pin
<b>Item 9 75667 Side Cover Kit PRO-FLO 525</b>							
34		1	Side Cover PRO-FLO 525	15		6	1/4 x 3/4 x 1/2 Push Retainer Nylon
SS = Stainless Steel							

# PRO-FLO™ 525 LOW-PROFILE TAILGATE SPREADER

## SPINNER ASSEMBLY & MATERIAL CHUTE

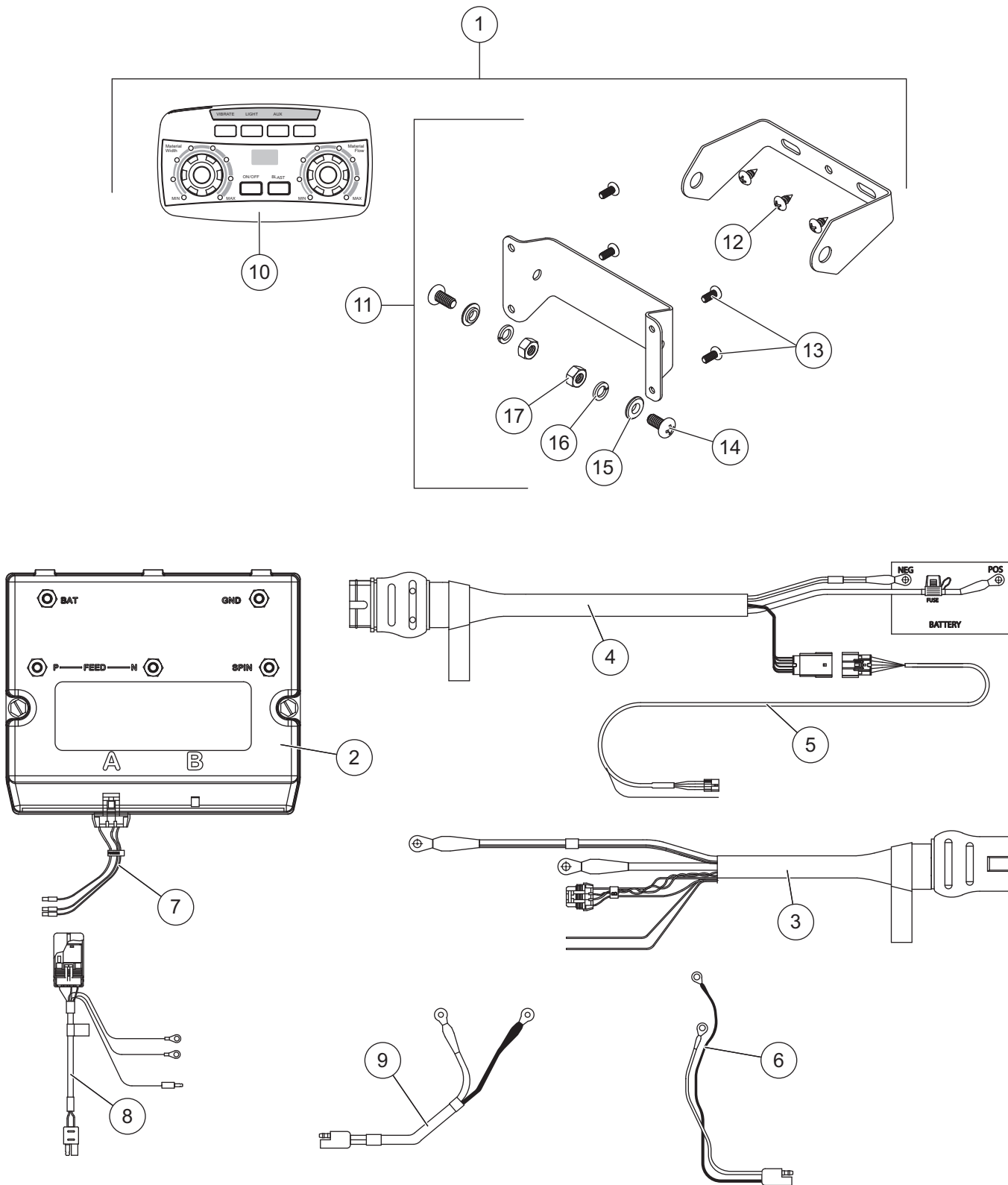


**PRO-FLO™ 525 LOW-PROFILE TAILGATE SPREADER**

Spinner Assembly & Material Chute							
Item	Part	Qty	Description	Item	Part	Qty	Description
1	75901	1	Motor Kit	5	75662	1	Material Chute Kit PRO-FLO 525
2	75640	1	Spinner Transmission Kit	6	75665	1	Deflector Kit
3	75663	1	CE Guard Kit	7	75672	1	Protector Foot Kit
4	75618	1	Spinner Kit				
<b>Item 1</b>				<b>75901 Motor Kit</b>			
8		1	Motor 12V DC, 3 x 3.8	9		2	#10-32 x 5/8 Hex Cap Screw Serrated Flange w/Patch
<b>Item 2</b>				<b>75640 Spinner Transmission Kit</b>			
10		1	Transmission 8:1 Worm Gear	12		4	1/4-20 x 3/4 Hex Cap Screw Serrated Flange SS
11	D6232	1	Motor Drive Coupler				
<b>Item 3</b>				<b>75663 CE Guard Kit</b>			
13		1	CE Guard Spacer	14		1	CE Guard
<b>Item 4</b>				<b>75618 Spinner Kit</b>			
15		1	Spinner 10" Poly	16		1	3/16 x 1-1/4 Detent Clevis pin
<b>Item 5</b>				<b>75662 Material Chute Kit PRO-FLO 525</b>			
17		1	Material Chute PRO-FLO 525	20		1	1/2-13 Serrated Flange Nut
18		1	1/2-13 x 1-1/2 Hex Cap Screw	21		1	1/4 x 1-1/2 Driller w/R-M Washer
19		1	1/2 Flat Washer, Hardened	22		1	5/16 Flat Washer
<b>Item 6</b>				<b>75665 Deflector Kit</b>			
23		2	3/8-16 x 1 Hex Cap Screw Serrated Flange Type F	24	D6327	1	Deflector
<b>Item 7</b>				<b>75672 Protector Foot Kit</b>			
23		2	3/8-16 x 1 Hex Cap Screw Serrated Flange Type F	25		1	Spinner Protector Foot
SS = Stainless Steel							

# PRO-FLO™ 525 LOW-PROFILE TAILGATE SPREADER

## ELECTRICAL COMPONENTS





**PRO-FLO™ 525 LOW-PROFILE TAILGATE SPREADER**

Electrical Components							
Item	Part	Qty	Description	Item	Part	Qty	Description
1	52450	1	Spreader Control Kit	6	78398	1	Spinner Motor Harness
2	52375	1	Spreader Module 5-Post	7	69893	1	10-Pin Connector w/3 Wires
3	69920	1	Spreader Harness	8	78382	1	Vibrator Harness Assembly
4	76058	1	Vehicle Harness	9	78397	1	Auger Motor Harness
5	69902	1	Vehicle Control Harness				
<b>Item 1</b>	<b>52450 Spreader Control Kit</b>						
10		1	Spreader Control	14		2	1/4-20 x 1/2 Pan Head Machine Screw SS – Black
11	52345	1	Control Bracket Kit	15		2	1/4 Shoulder Washer SS – Black
12		3	#10 x 3/8 Pan Head Tapping Screw SS	16		2	1/4 Lock Washer SS
13		4	#8 x 3/8 Pan Head Machine Screw	17		2	1/4-20 Hex Nut G5 – Black
SS = Stainless Steel				G = Grade			

## PRO-FLO™ 525 LOW-PROFILE TAILGATE SPREADER

---

Copyright © 2015 Douglas Dynamics, LLC. All rights reserved. This material may not be reproduced or copied, in whole or in part, in any printed, mechanical, electronic, film or other distribution and storage media, without the written consent of Western Products. Authorization to photocopy items for internal or personal use by Western Products outlets or spreader owner is granted.

Western Products reserves the right under its product improvement policy to change construction or design details and furnish equipment when so altered without reference to illustrations or specifications used. Western Products or the vehicle manufacturer may require or recommend optional equipment for spreaders. Do not exceed vehicle ratings with a spreader. Western Products offers a limited warranty for all spreaders and accessories. See separately printed page for this important information. The following are registered (®) or unregistered (™) trademarks of Douglas Dynamics, LLC: PRO-FLO™ 525, WESTERN®.

**Printed in U.S.A.**

---