

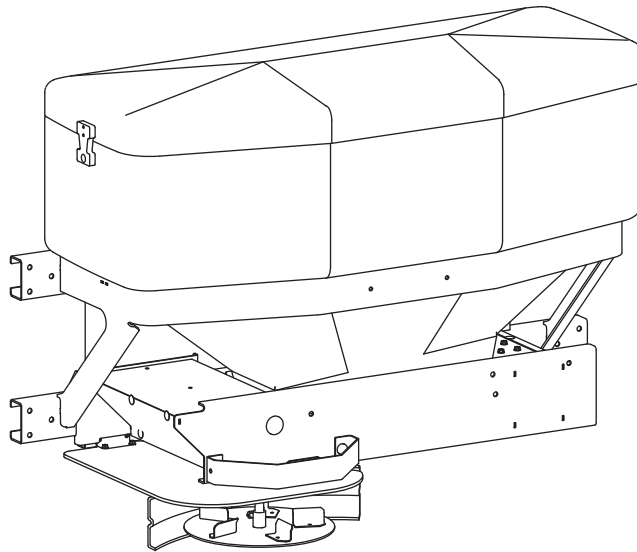
PRO-FLO™ 900



Hopper and Drive Components

PRO-FLO™ 900 Low-Profile Tailgate Spreader

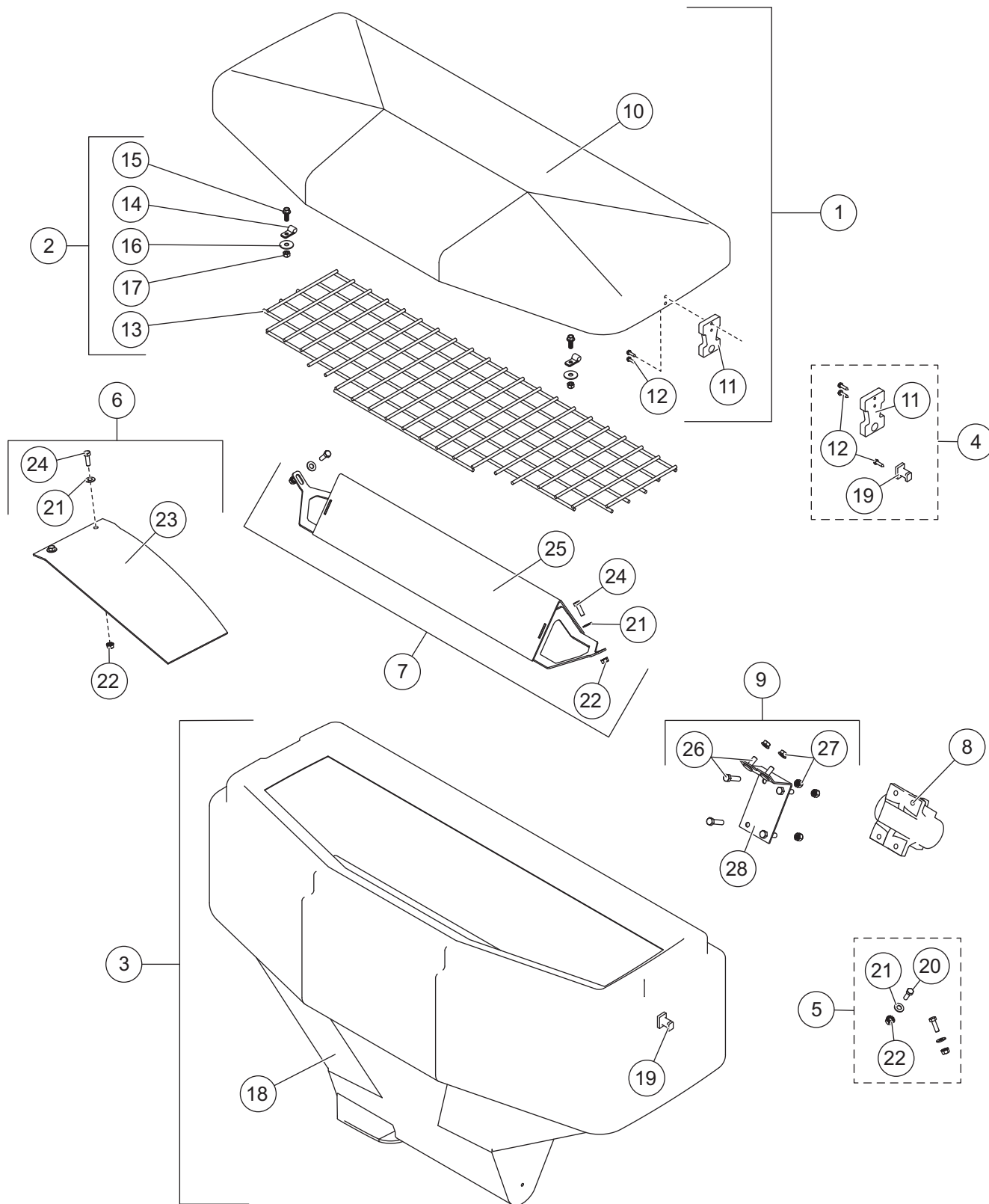
Parts List



This Parts List is for WESTERN® PRO-FLO 900 Low-Profile Tailgate Spreaders with serial numbers beginning with 150601 and higher.

PRO-FLO™ 900 LOW-PROFILE TAILGATE SPREADER

HOPPER, VIBRATOR & INVERTED VEE

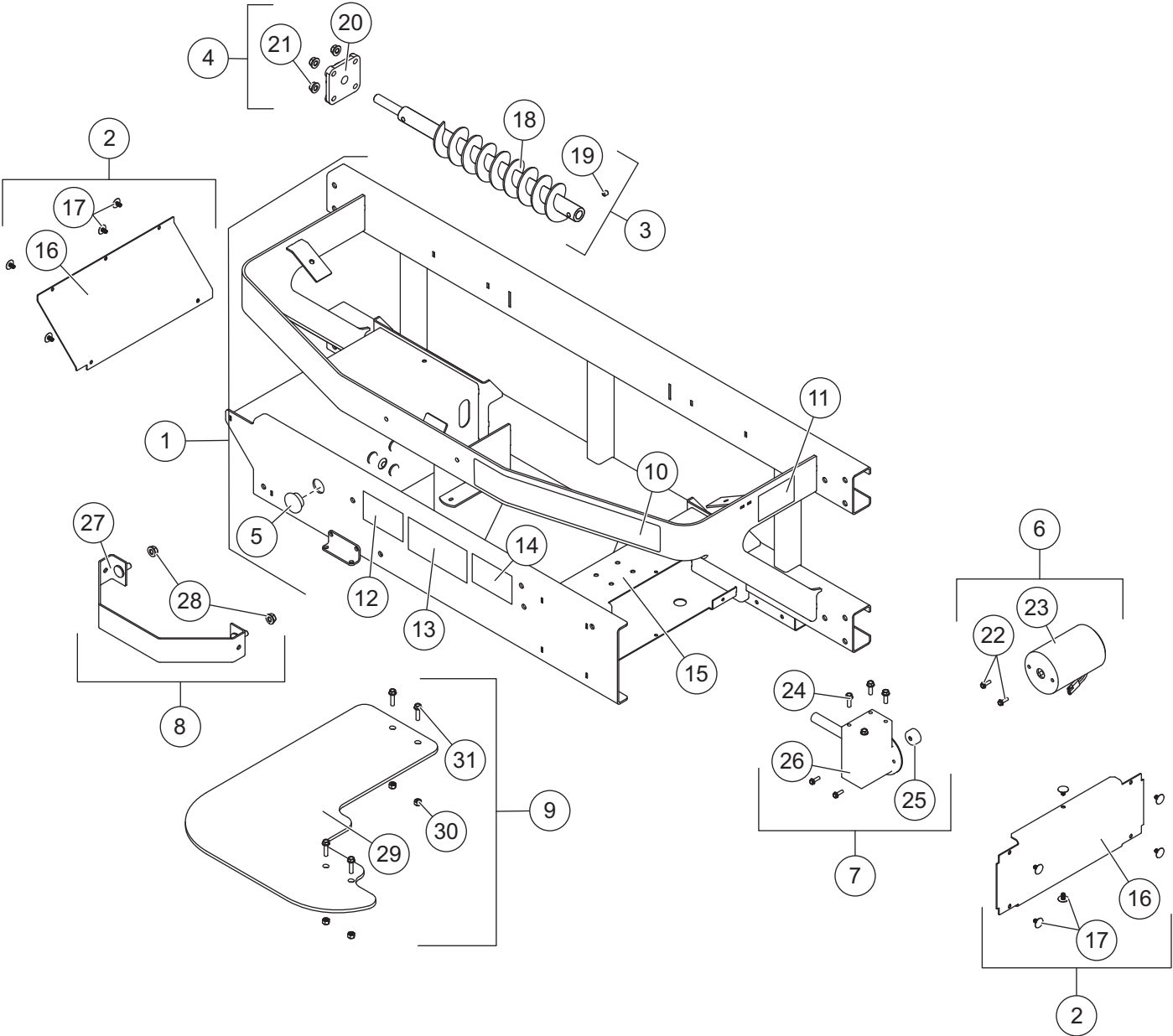


PRO-FLO™ 900 LOW-PROFILE TAILGATE SPREADER

Hopper, Vibrator & Inverted Vee							
Item	Part	Qty	Description	Item	Part	Qty	Description
1	75677	1	Lid Kit PRO-FLO 900	6	75681	1	Baffle Kit PRO-FLO 900
2	75680	1	Top Screen 900 Kit	7	75682	1	Inverted Vee Kit
3	75908	1	Hopper Kit PRO-FLO 900	8	75673	1	Vibrator – DC-80
4	75612	1	Hopper Strap Kit	9	75683	1	Vibrator Mount Bracket Kit
5	75614	1	Hopper Hardware Kit PRO-FLO 900				
Item 1 75677 Lid Kit PRO-FLO 900							
10		1	Lid Assembly	12		4	#10 x 3/4 HWH Slotted Cap Screw
11		2	Flexible Draw Latch				
Item 2 75680 Top Screen 900 Kit							
13		1	Top Screen 900	16		2	1/4 x 1 Washer
14		2	5/16 Clamp	17		2	1/4 Hex Locknut SS
15		2	1/4-20 x 3/4 Hex Cap Screw Serrated Flange SS				
Item 3 75908 Hopper Kit PRO-FLO 900							
18		1	Hopper 8.75 cu ft – Red	ns		2	#10 x 3/4 HWH Slotted Cap Screw
19		2	Latch Keeper				
Item 4 75612 Hopper Strap Kit							
11		2	Flexible Draw Latch	19		2	Latch Keeper
12		6	#10 x 3/4 HWH Slotted Cap Screw				
Item 5 75614 Hopper Hardware Kit PRO-FLO 900							
20		2	5/16-18 x 1-1/4 Hex Cap Screw	22		2	5/16-18 Hex Locknut Ext. Tooth GB
21		2	3/8 Flat Washer				
Item 6 75681 Baffle Kit PRO-FLO 900							
21		2	3/8 Flat Washer SS	23		1	Material Baffle PRO-FLO 900
22		2	5/16-18 Hex Locknut Ext. Tooth GB	24		2	5/16-18 x 1 Hex Cap Screw
Item 7 75682 Inverted Vee Kit							
21		2	3/8 Flat Washer SS	24		2	5/16-18 x 1 Hex Cap Screw
22		2	5/16-18 Hex Locknut Ext. Tooth GB	25		1	Inverted Vee
Item 9 75683 Vibrator Mount Bracket Kit							
26		6	3/8-16 x 1-1/2 Hex Cap Screw	28		1	Mounting Bracket, Inverted Vee
27		4	3/8-16 Serrated Flange Nut				
SS = Stainless Steel				G = Grade			

PRO-FLO™ 900 LOW-PROFILE TAILGATE SPREADER

FRAME, AUGER & SPINNER GUARD

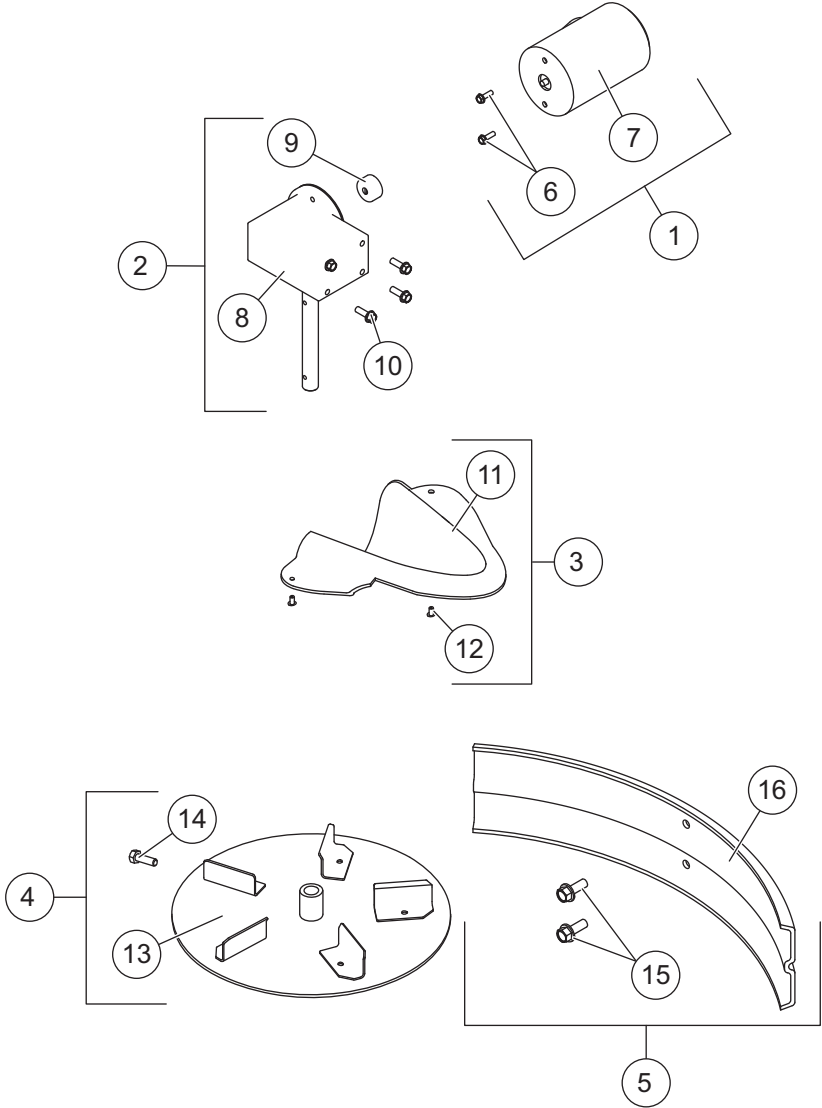


PRO-FLO™ 900 LOW-PROFILE TAILGATE SPREADER

Frame, Auger & Spinner Guard							
Item	Part	Qty	Description	Item	Part	Qty	Description
1	75904	1	Frame Kit PRO-FLO 900	8	75688	1	Trim Ring Kit
2	75687	2	Side Cover Kit PRO-FLO 900	9	75690	1	Spinner Guard Kit
3	75679	1	Auger Kit PRO-FLO 900	10	42527	1	Label – PRO-FLO 900
4	75660	1	Bearing Kit	11	75694	1	Label – Warning, Never Swing Spdr.
5	75689	1	Bearing Access Cover	12	75621	1	Label – Warning, Hands and Feet
6	75901	1	Motor Kit – Auger	13	75669	1	Label – Warning, Rotating Auger
7	75692	1	Auger Transmission Kit PRO-FLO 900	14	75623	1	Label – Warning, Read Manual
Item 1 75904 Frame Kit PRO-FLO 900							
5	75689	1	Bearing Access Cover	13	75669	1	Label – Warning, Rotating Auger
10	42527	1	Label – PRO-FLO 900	14	75623	1	Label – Warning, Read Manual
11	75694	1	Label – Warning, Never Swing Spdr.	15		1	Main Frame PRO-FLO 900
12	75621	1	Label – Warning, Hands and Feet				
Item 2 75687 Side Cover Kit PRO-FLO 900							
16		1	Drive Cover PRO-FLO 900	17		6	1/4 x 3/4 x 1/2 Push Retainer Nylon
Item 3 75679 Auger Kit PRO-FLO 900							
18		1	2-5/8 x 20 x 1-3/8 Auger	19		1	5/16-18 x 3/8 Socket Head Set Screw
Item 4 75660 Bearing Kit							
20		1	5/8 Bearing 4-Bolt Flange	21		4	3/8-16 Serrated Flange Nut
Item 6 75901 Motor Kit – Auger							
22		2	#10-32 x 5/8 Hex Cap Screw Serrated Flange w/Patch	23		1	Motor 12V DC, 3 x 3.8
Item 7 75692 Auger Transmission Kit PRO-FLO 900							
24		4	1/4-20 x 3/4 Cap Screw Serrated Flange SS	25	D6232	1	Motor Drive Coupler
				26		1	Transmission 20:1 Worm Gear
Item 8 75688 Trim Ring Kit							
27		1	Trim Ring	28		2	3/8-16 Serrated Flange Nut
Item 9 75690 Spinner Guard Kit							
29		1	Spinner Guard	31		4	1/4-20 x 1 Hex Cap Screw Serrated Flange SS
30		4	1/4-20 Locknut				
SS = Stainless Steel							

PRO-FLO™ 900 LOW-PROFILE TAILGATE SPREADER

SPINNER, CHUTE & DEFLECTOR

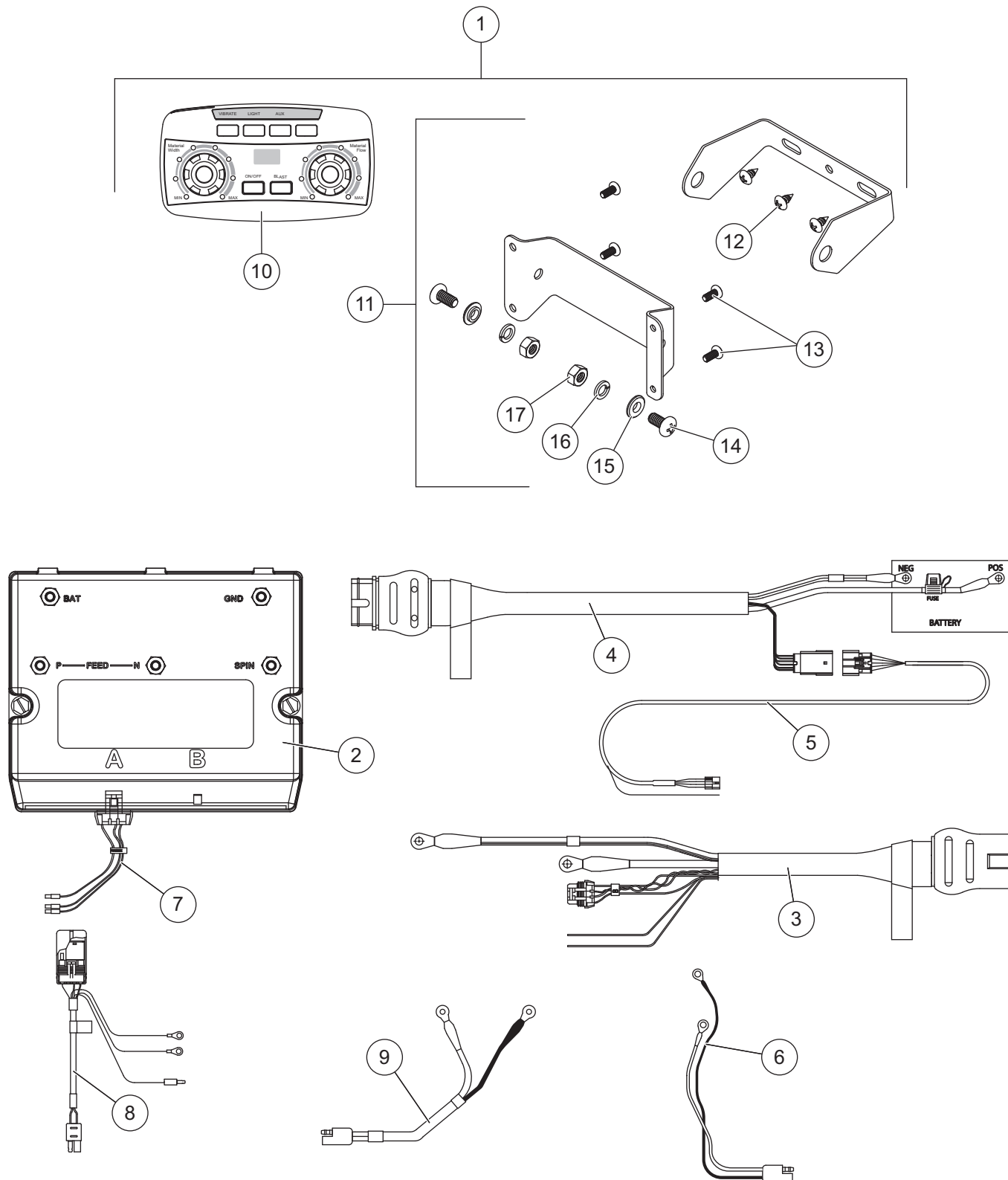


PRO-FLO™ 900 LOW-PROFILE TAILGATE SPREADER

Spinner, Chute & Deflector							
Item	Part	Qty	Description	Item	Part	Qty	Description
1	75912	1	Motor Kit – Spinner	4	75685	1	Spinner Kit PRO-FLO 900
2	75686	1	Spinner Transmission Kit	5	75665	1	Deflector Kit
3	75691	1	Material Chute Kit PRO-FLO 900				
Item 1				75912 Motor Kit – Spinner			
6		2	1/4-20 x 3/4 Cap Screw Serrated Flange SS	7		1	Motor 12V DC, 3 x 3.8
Item 2				75686 Spinner Transmission Kit			
8		1	Transmission 8:1 Worm Gear	10		4	1/4-20 x 3/4 Cap Screw Serrated Flange SS
9	D6232	1	Motor Drive Coupler				
Item 3				75691 Material Chute Kit PRO-FLO 900			
11		1	Material Chute PRO-FLO 900	12		2	3/16 x .354 Rivet – Black Aluminum
Item 4				75685 Spinner Kit PRO-FLO 900			
13		1	Spinner 12" Steel	14		1	5/16-18 x 1/2 Hex Cap Screw
Item 5				75665 Deflector Kit			
15		2	3/8-16 x 1 Hex Cap Screw Serrated Flange Type F	16		1	Deflector
SS = Stainless Steel							

PRO-FLO™ 900 LOW-PROFILE TAILGATE SPREADER

ELECTRICAL COMPONENTS



PRO-FLO™ 900 LOW-PROFILE TAILGATE SPREADER

Electrical Components							
Item	Part	Qty	Description	Item	Part	Qty	Description
1	52450	1	Spreader Control Kit	6	78399	1	Spinner Motor Harness Rev Pin-Out
2	52375	1	Spreader Module 5-Post				
3	69920	1	Spreader Harness	7	69893	1	10-Pin Connector w/3 Wires
4	76058	1	Vehicle Harness	8	78382	1	Vibrator Harness Assembly
5	69902	1	Vehicle Control Harness	9	78397	1	Auger Motor Harness
Item 1	52450 Spreader Control Kit						
10		1	Spreader Control	14		2	1/4-20 x 1/2 Pan Head Machine Screw SS – Black
11	52345	1	Control Bracket Kit				
12		3	#10 x 3/8 Pan Head Tapping Screw SS	15		2	1/4 Shoulder Washer SS – Black
13		4	#8 x 3/8 Pan Head Machine Screw	16		2	1/4 Lock Washer SS
				17		2	1/4-20 Hex Nut G5 – Black
SS = Stainless Steel				G = Grade			

PRO-FLO™ 900 LOW-PROFILE TAILGATE SPREADER

Copyright © 2015 Douglas Dynamics, LLC. All rights reserved. This material may not be reproduced or copied, in whole or in part, in any printed, mechanical, electronic, film or other distribution and storage media, without the written consent of Western Products. Authorization to photocopy items for internal or personal use by Western Products outlets or spreader owner is granted.

Western Products reserves the right under its product improvement policy to change construction or design details and furnish equipment when so altered without reference to illustrations or specifications used. Western Products or the vehicle manufacturer may require or recommend optional equipment for spreaders. Do not exceed vehicle ratings with a spreader. Western Products offers a limited warranty for all spreaders and accessories. See separately printed page for this important information. The following are registered (®) or unregistered (™) trademarks of Douglas Dynamics, LLC: PRO-FLO™ 900, WESTERN®.

Printed in U.S.A.
