

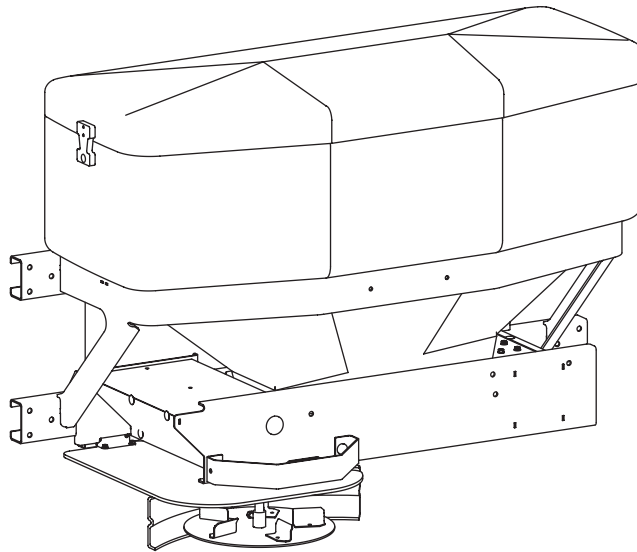
PRO-FLO™ 900



Hopper and Drive Components

PRO-FLO™ 900 Low-Profile Tailgate Spreader

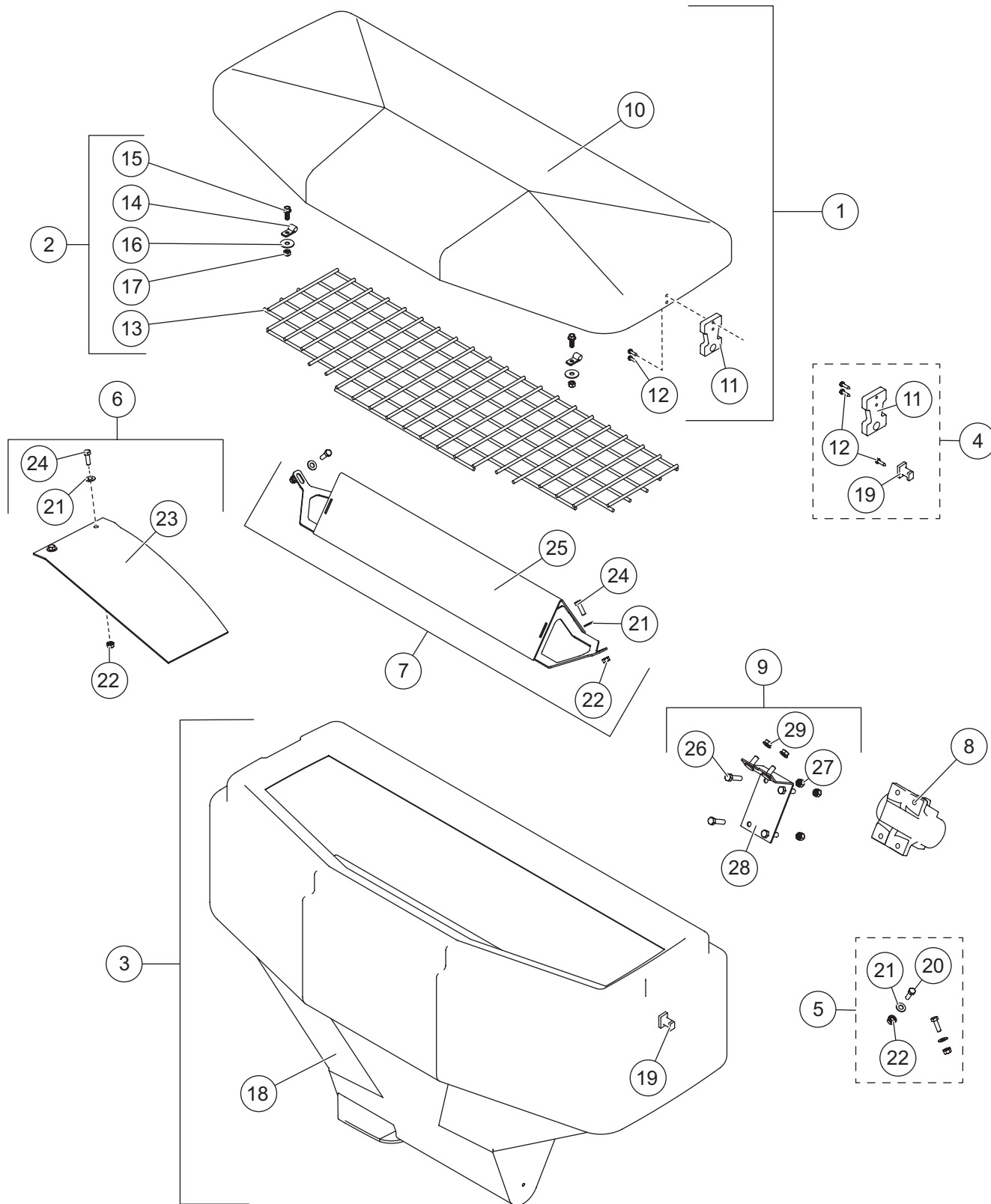
Parts List



This Parts List is for WESTERN® PRO-FLO 900 Low-Profile Tailgate Spreaders with serial numbers beginning with 150601 and higher.

PRO-FLO™ 900 LOW-PROFILE TAILGATE SPREADER

HOPPER, VIBRATOR & INVERTED VEE

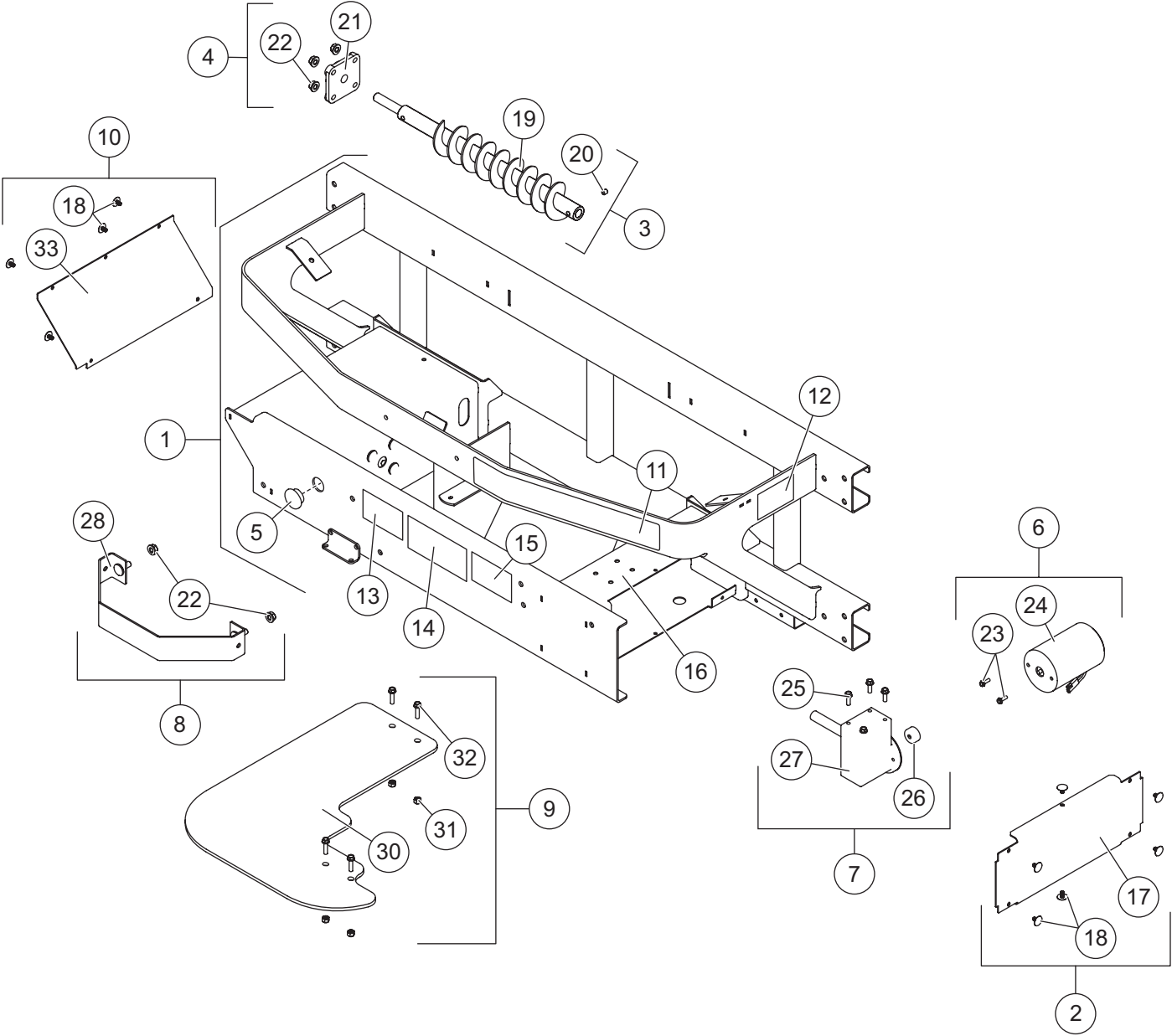


PRO-FLO™ 900 LOW-PROFILE TAILGATE SPREADER

Hopper, Vibrator & Inverted Vee							
Item	Part	Qty	Description	Item	Part	Qty	Description
1	75677	1	Lid Kit	6	75681	1	Baffle Kit
2	75680	1	Top Screen 900 Kit	7	75682	1	Inverted Vee Kit
3	75908	1	Hopper Kit PRO-FLO 900	8	75673	1	Vibrator – DC-80
4	75612	1	Hopper Strap Kit	9	75683	1	Vibrator Mount Bracket Kit
5	75614	1	Hopper Hardware Kit				
Item 1 75677 Lid Kit							
10		1	Lid Assembly	12		4	#10 x 3/4 HWH Slotted Cap Screw
11		2	Flexible Draw Latch				
Item 2 75680 Top Screen 900 Kit							
13		1	Top Screen 900	16		2	1/4 x 1 Flat Washer SS
14		2	5/16 Clamp	17		2	1/4-20 Hex Locknut SS
15		2	1/4-20 x 3/4 Hex Cap Screw Serrated Flange SS				
Item 3 75908 Hopper Kit PRO-FLO 900							
18		1	Hopper 8.75 cu ft – Red	ns		2	#10 x 3/4 HWH Slotted Cap Screw
19		2	Latch Keeper				
Item 4 75612 Hopper Strap Kit							
11		2	Flexible Draw Latch	19		2	Latch Keeper
12		6	#10 x 3/4 HWH Slotted Cap Screw				
Item 5 75614 Hopper Hardware Kit							
20		2	5/16-18 x 1-1/4 Hex Cap Screw SS	22		2	5/16-18 Hex Locknut Ext. Tooth GB
21		2	3/8 Flat Washer SS				
Item 6 75681 Baffle Kit							
21		2	3/8 Flat Washer SS	23		1	Material Baffle
22		2	5/16-18 Hex Locknut Ext. Tooth GB	24		2	5/16-18 x 1 Hex Cap Screw
Item 7 75682 Inverted Vee Kit							
21		2	3/8 Flat Washer SS	24		2	5/16-18 x 1 Hex Cap Screw
22		2	5/16-18 Hex Locknut Ext. Tooth GB	25		1	Inverted Vee
Item 9 75683 Vibrator Mount Bracket Kit							
26		4	3/8-16 x 1-1/2 Hex Cap Screw	28		1	Mounting Bracket, Inverted Vee
27		2	3/8-16 x 1-1/2 Hex Locknut	29		2	3/8-16 Hex Nut Serrated Flange
			SS = Stainless Steel				G = Grade
							ns = not shown

PRO-FLO™ 900 LOW-PROFILE TAILGATE SPREADER

FRAME, AUGER & SPINNER GUARD

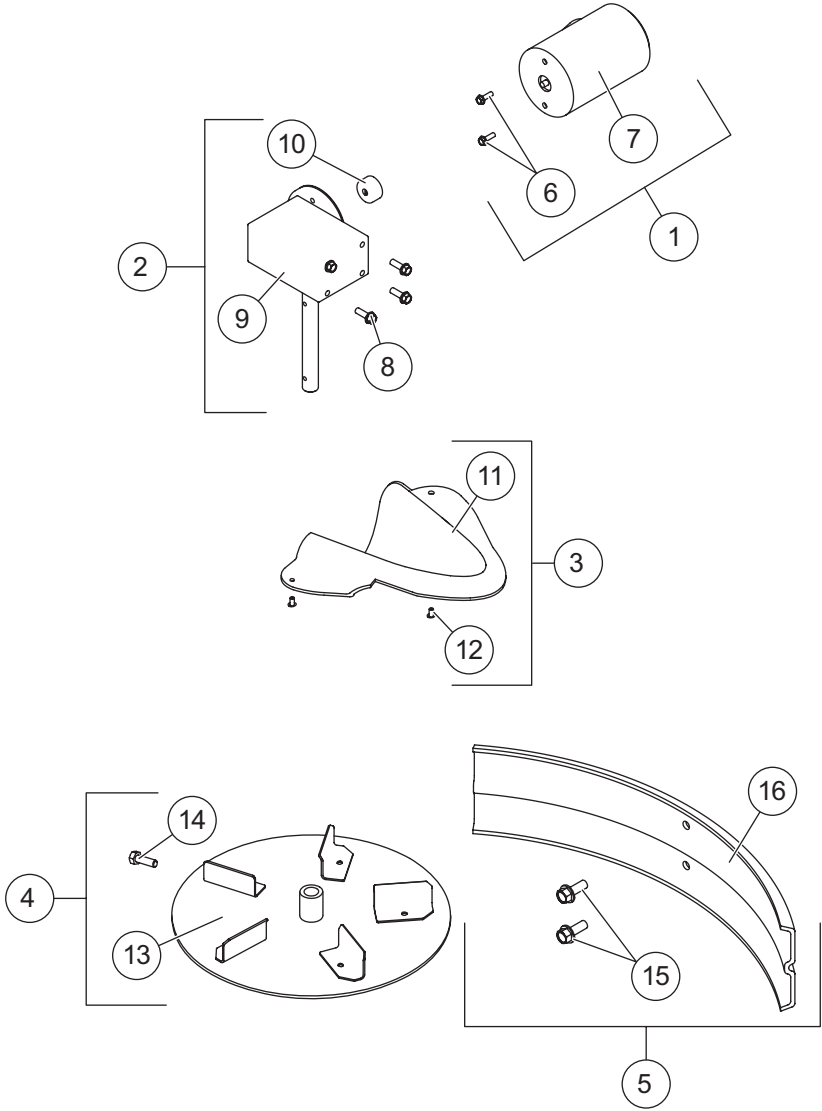


PRO-FLO™ 900 LOW-PROFILE TAILGATE SPREADER

Frame, Auger & Spinner Guard							
Item	Part	Qty	Description	Item	Part	Qty	Description
1	75904	1	Frame Kit PRO-FLO 900	9	75690	1	Spinner Guard Kit
2	75687	2	Side Cover Kit	10	75560	1	Spinner Drive Cover Kit
3	75679	1	Auger Kit	11	42527	1	Label – PRO-FLO 900
4	75660	1	Bearing Kit	12	75694	1	Label – Warning, Never Swing Spdr.
5	75689	1	Bearing Access Cover	13	75621	1	Label – Warning, Hands and Feet
6	75901	1	Motor Kit	14	75669	1	Label – Warning, Rotating Auger
7	75692	1	Auger Transmission Kit	15	75623	1	Label – Warning, Read Manual
8	75688	1	Trim Ring Kit				
Item 1				75904 Frame Kit PRO-FLO 900			
5	75689	1	Bearing Access Cover	14	75669	1	Label – Warning, Rotating Auger
11	42527	1	Label – PRO-FLO 900	15	75623	1	Label – Warning, Read Manual
12	75694	1	Label – Warning, Never Swing Spdr.	16		1	Main Frame
13	75621	1	Label – Warning, Hands and Feet				
Item 2				75687 Side Cover Kit			
17		1	Drive Cover	18		6	1/4 x 3/4 x 1/2 Push Retainer Nylon
Item 3				75679 Auger Kit			
19		1	2-5/8 x 20 x 1-3/8 Auger	ns		1	5/8 Flat Washer, Nylon
20		1	5/16-18 x 3/8 Socket Head Set Screw				
Item 4				75660 Bearing Kit			
21		1	5/8 Bearing 4-Bolt Flange	22		4	3/8-16 Hex Nut Serrated Flange
Item 6				75901 Motor Kit			
23		2	#10-32 x 5/8 Hex Cap Screw Serrated Flange w/Patch	24		1	Motor 12V DC, 3 x 3.8
Item 7				75692 Auger Transmission Kit			
25		4	1/4-20 x 3/4 Hex Cap Screw Serrated Flange SS	26	D6232	1	Motor Drive Coupler
				27		1	Transmission 20:1 Worm Gear
Item 8				75688 Trim Ring Kit			
22		4	3/8-16 Hex Nut Serrated Flange	28		1	Trim Ring
Item 9				75690 Spinner Guard Kit			
30		1	Spinner Guard	32		4	1/4-20 x 1 Hex Cap Screw Serrated Flange SS
31		4	1/4-20 Hex Locknut				
Item 10				75560 Spinner Drive Cover Kit			
18		6	1/4 x 3/4 x 1/2 Push Retainer Nylon	33		1	Spinner Drive Cover
			SS = Stainless Steel				ns = not shown

PRO-FLO™ 900 LOW-PROFILE TAILGATE SPREADER

SPINNER, CHUTE & DEFLECTOR

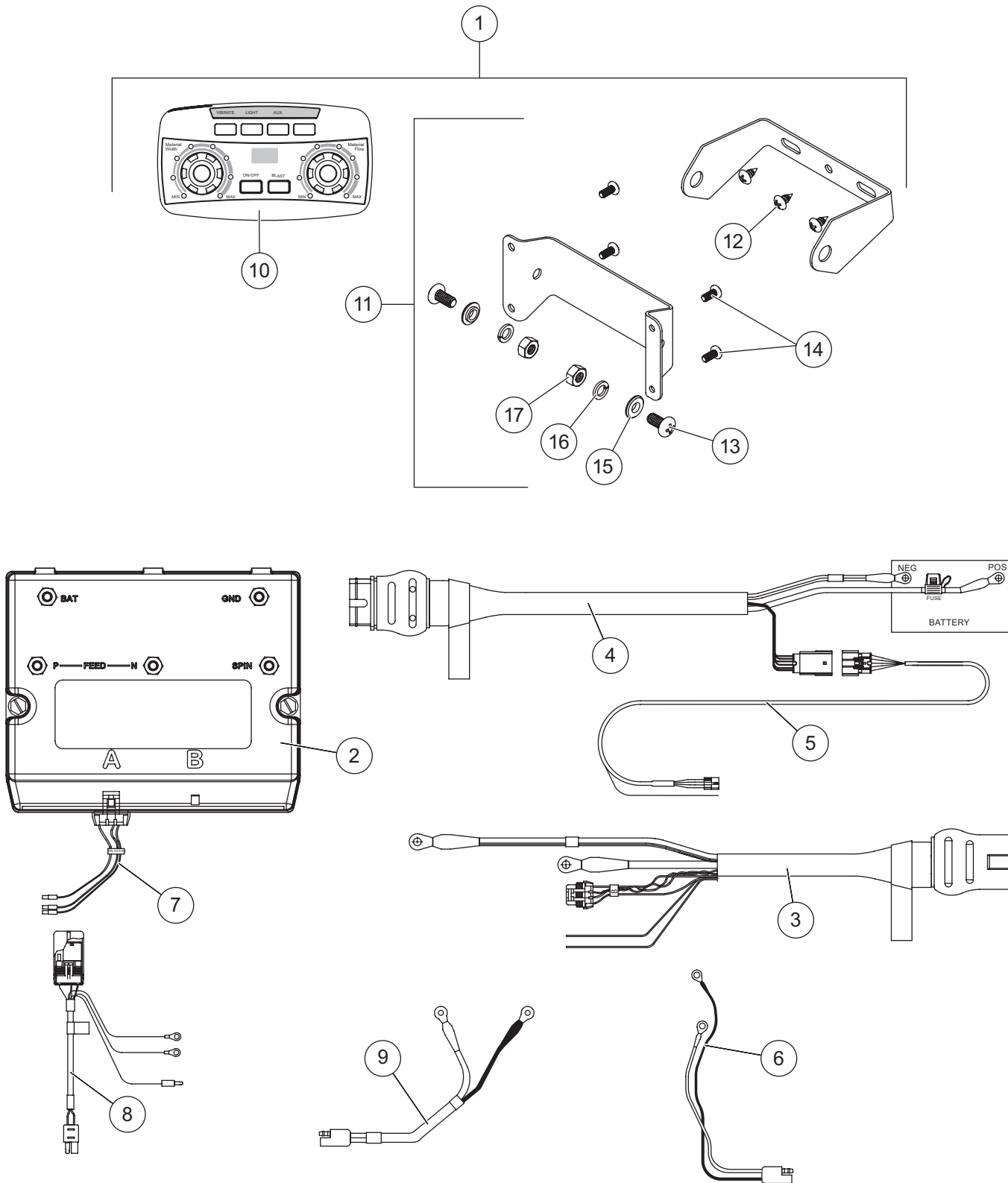


PRO-FLO™ 900 LOW-PROFILE TAILGATE SPREADER

Spinner, Chute & Deflector							
Item	Part	Qty	Description	Item	Part	Qty	Description
1	75901	1	Motor Kit	4	75685	1	Spinner Kit
2	75686	1	Spinner Transmission Kit	5	75665	1	Deflector Kit
3	75691	1	Material Chute Kit				
Item 1				75901 Motor Kit			
6		2	#10-32 x 5/8 Hex Cap Screw Serrated Flange w/Patch	7		1	Motor 12V DC, 3 x 3.8
Item 2				75686 Spinner Transmission Kit			
8		2	1/4-20 x 3/4 Hex Cap Screw Serrated Flange SS	9		1	Transmission 8:1 Worm Gear
				10	D6232	1	Motor Drive Coupler
Item 3				75691 Material Chute Kit			
11		1	Material Chute	12		2	3/16 x 0.354 Rivet – Black Aluminum
Item 4				75685 Spinner Kit			
13		1	Spinner 12" Steel	14		1	5/16-18 x 1/2 Hex Cap Screw
Item 5				75665 Deflector Kit			
15		2	3/8-16 x 1 Hex Cap Screw Serrated Flange Type F	16		1	Deflector
SS = Stainless Steel							

PRO-FLO™ 900 LOW-PROFILE TAILGATE SPREADER

ELECTRICAL COMPONENTS



PRO-FLO™ 900 LOW-PROFILE TAILGATE SPREADER

Electrical Components							
Item	Part	Qty	Description	Item	Part	Qty	Description
1	52450	1	Spreader Control Kit	6	78399	1	Spinner Motor Harness Rev Pin-Out
2	52375	1	Spreader Module 5-Post	7	69893	1	10-Pin Connector w/3 Wires
3	69920	1	Spreader Harness	8	78382	1	Vibrator Harness Assembly
4	76058	1	Vehicle Harness	9	78397	1	Auger Motor Harness
5	69902	1	Vehicle Control Harness				
Item 1				52450 Spreader Control Kit			
10		1	Spreader Control	11	52345	1	Control Bracket Kit
Item 11				52345 Control Bracket Kit			
12		3	#10 x 3/8 Pan Head Tapping Screw SS	14		4	#8 x 3/8 Pan Head Machine Screw
13		2	1/4-20 x 1/2 Pan Head Machine Screw SS – Black	15		2	1/4 Shoulder Washer SS – Black
				16		2	1/4 Lock Washer SS
				17		2	1/4-20 Hex Nut G5 – Black
SS = Stainless Steel				G = Grade			

PRO-FLO™ 900 LOW-PROFILE TAILGATE SPREADER

Copyright © 2016 Douglas Dynamics, LLC. All rights reserved. This material may not be reproduced or copied, in whole or in part, in any printed, mechanical, electronic, film or other distribution and storage media, without the written consent of Western Products. Authorization to photocopy items for internal or personal use by Western Products outlets or spreader owner is granted.

Western Products reserves the right under its product improvement policy to change construction or design details and furnish equipment when so altered without reference to illustrations or specifications used. Western Products or the vehicle manufacturer may require or recommend optional equipment for spreaders. Do not exceed vehicle ratings with a spreader. Western Products offers a limited warranty for all spreaders and accessories. See separately printed page for this important information. The following are registered (®) or unregistered (™) trademarks of Douglas Dynamics, LLC: PRO-FLO™ 900, WESTERN®.

Printed in U.S.A.
