

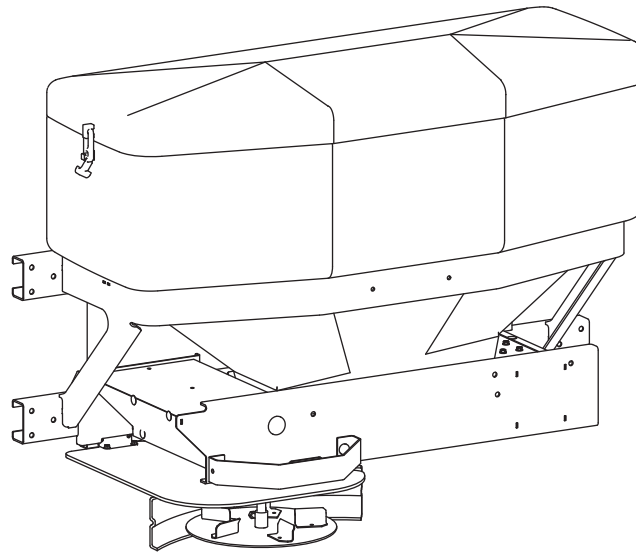


SPEED»CASTER™ 900

Hopper and Drive Components

SPEED-CASTER™ 900 Low-Profile Tailgate Spreader

Parts List



This Parts List is for FISHER® SPEED-CASTER 900 Low-Profile Tailgate Spreaders
with serial numbers beginning with 150601 through 160729.

SPEED-CASTER™ 900 LOW-PROFILE TAILGATE SPREADER

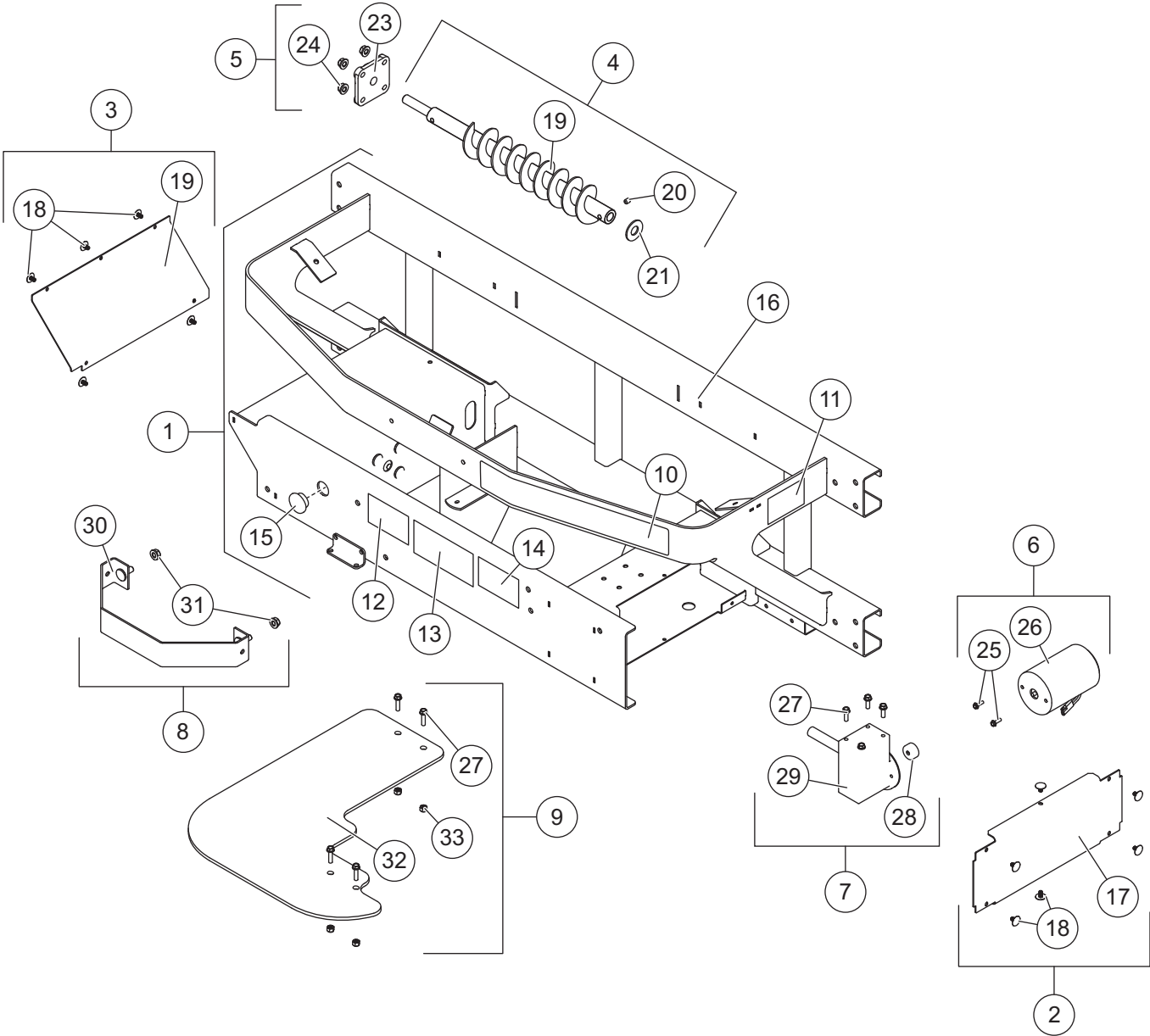
Hopper, Vibrator & Inverted V							
Item	Part	Qty	Description	Item	Part	Qty	Description
1	75677	1	Lid Kit	6	75681	1	Baffle Kit
2	75680	1	Top Screen Kit	7	75682	1	Inverted V Kit
3	75909	1	Hopper Kit SPEED-CASTER 900*	8	75673	1	Vibrator, DC-80
4	75614	1	Hopper Hardware Kit	9	75683	1	Vibrator Mount Bracket Kit
5	75612	1	Hopper Strap Kit				
Item 1 75677 Lid Kit							
10		1	Lid Assembly	12		4	#10 x 3/4 Hex Washer-Head Slotted Cap Screw
11		2	Flexible Draw Latch				
Item 2 75680 Top Screen Kit							
13		1	Top Screen 40 x 14	16		2	1/4 x 1 Flat Washer SS
14		2	5/16 Clamp	17		2	1/4-20 Hex Locknut SS
15		2	1/4-20 x 3/4 Hex Cap Screw Serrated Flange SS				
Item 3 75909 Hopper Kit SPEED-CASTER 900*							
4	75614	1	Hopper Hardware Kit	18		1	Hopper 8.75 ft ³ – Yellow
Item 4 75614 Hopper Hardware Kit							
19		2	5/16-18 x 1-1/4 Hex Cap Screw SS	21		2	5/16-18 Hex Locknut SS
20		2	3/8 Flat Washer SS				
Item 5 75612 Hopper Strap Kit							
11		2	Flexible Draw Latch	22		2	Latch Keeper
12		6	#10 x 3/4 Hex Washer-Head Tapping Screw SS				
Item 6 75681 Baffle Kit							
19		2	5/16-18 x 1-1/4 Hex Cap Screw SS	21		2	5/16-18 Hex Locknut SS
20		2	3/8 Flat Washer SS	23		1	Material Baffle
Item 7 75682 Inverted V Kit							
19		2	5/16-18 x 1-1/4 Hex Cap Screw SS	21		2	5/16-18 Hex Locknut SS
20		2	3/8 Flat Washer SS	24		1	Inverted V
Item 9 75683 Vibrator Mount Bracket Kit							
25		1	Mounting Bracket, Inverted V	27		4	3/8-16 Hex Locknut
26		4	3/8-16 x 1-1/2 Hex Cap Screw	28		2	3/8-16 Hex Nut Serrated Flange

SS = Stainless Steel

* Hopper ships with two latch keepers installed.

SPEED-CASTER™ 900 LOW-PROFILE TAILGATE SPREADER

FRAME, AUGER & SPINNER GUARD

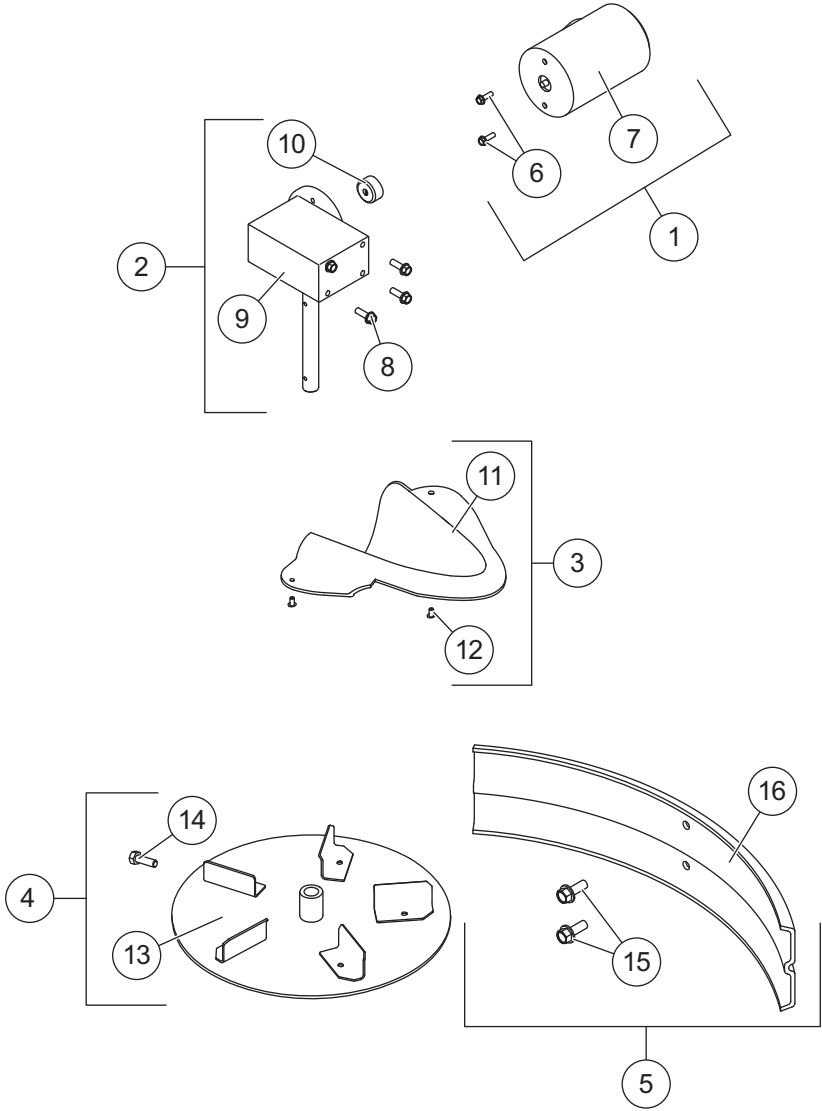


SPEED-CASTER™ 900 LOW-PROFILE TAILGATE SPREADER

Frame, Auger & Spinner Guard							
Item	Part	Qty	Description	Item	Part	Qty	Description
1	75905	1	Frame Kit SPEED-CASTER 900	8	75688	1	Trim Ring Kit
2	75687	1	Side Cover Kit	9	75690	1	Spinner Guard Kit
3	75560	1	Spinner Drive Cover Kit	10	43902	1	Label – Identity, SPEED-CASTER 900
4	75679	1	Auger Kit	11	75694	1	Label – Warning, Never Swing Spreader
5	75660	1	Bearing Kit	12	75621	1	Label – Warning, Hands and Feet
6	75901	1	Motor Kit	13	75669	1	Label – Warning, Rotating Auger
7	75692	1	Auger Transmission Kit	14	75623	1	Label – Warning, Read Manual
Item 1 75905 Frame Kit SPEED-CASTER 900							
10	43902	1	Label – Identity, SPEED-CASTER 900	14	75623	1	Label – Warning, Read Manual
11	75694	1	Label – Warning, Never Swing Spreader	15	75689	1	Bearing Access Cover
12	75621	1	Label – Warning, Hands and Feet	16		1	Main Frame
13	75669	1	Label – Warning, Rotating Auger				
Item 2 75687 Side Cover Kit							
17		1	Drive Cover	18	79334	6	1/4 x 3/4 x 1/2 Push Retainer Nylon
Item 3 75560 Spinner Drive Cover Kit							
18	79334	6	1/4 x 3/4 x 1/2 Push Retainer Nylon	19		1	Spinner Drive Cover
Item 4 75679 Auger Kit							
20		1	2-5/8 x 20 x 1-3/8 Auger	22		1	5/16-18 x 3/8 Socket Head Set Screw
21		1	5/8 Flat Washer Nylon				
Item 5 75660 Bearing Kit							
23	68662	1	5/8 Bearing 4-Bolt Flange	24		4	3/8-16 Serrated Flange Nut
Item 6 75901 Motor Kit							
25		2	#10-32 x 5/8 Hex Cap Screw Serrated Flange w/Patch	26		1	Motor 12V DC, 3 x 3.8
Item 7 75692 Auger Transmission Kit							
27		4	1/4-20 x 3/4 Hex Cap Screw Serrated Flange SS	28	79332	1	Motor Drive Coupler
				29		1	Transmission 20:1 Worm Gear
Item 8 75688 Trim Ring Kit							
30		1	Trim Ring	31		2	3/8-16 Hex Nut Serrated Flange
Item 9 75690 Spinner Guard Kit							
27		4	1/4-20 x 3/4 Hex Cap Screw Serrated Flange SS	32		1	Spinner Guard
				33		4	1/4-20 Locknut
SS = Stainless Steel							

SPEED-CASTER™ 900 LOW-PROFILE TAILGATE SPREADER

SPINNER, CHUTE & DEFLECTOR

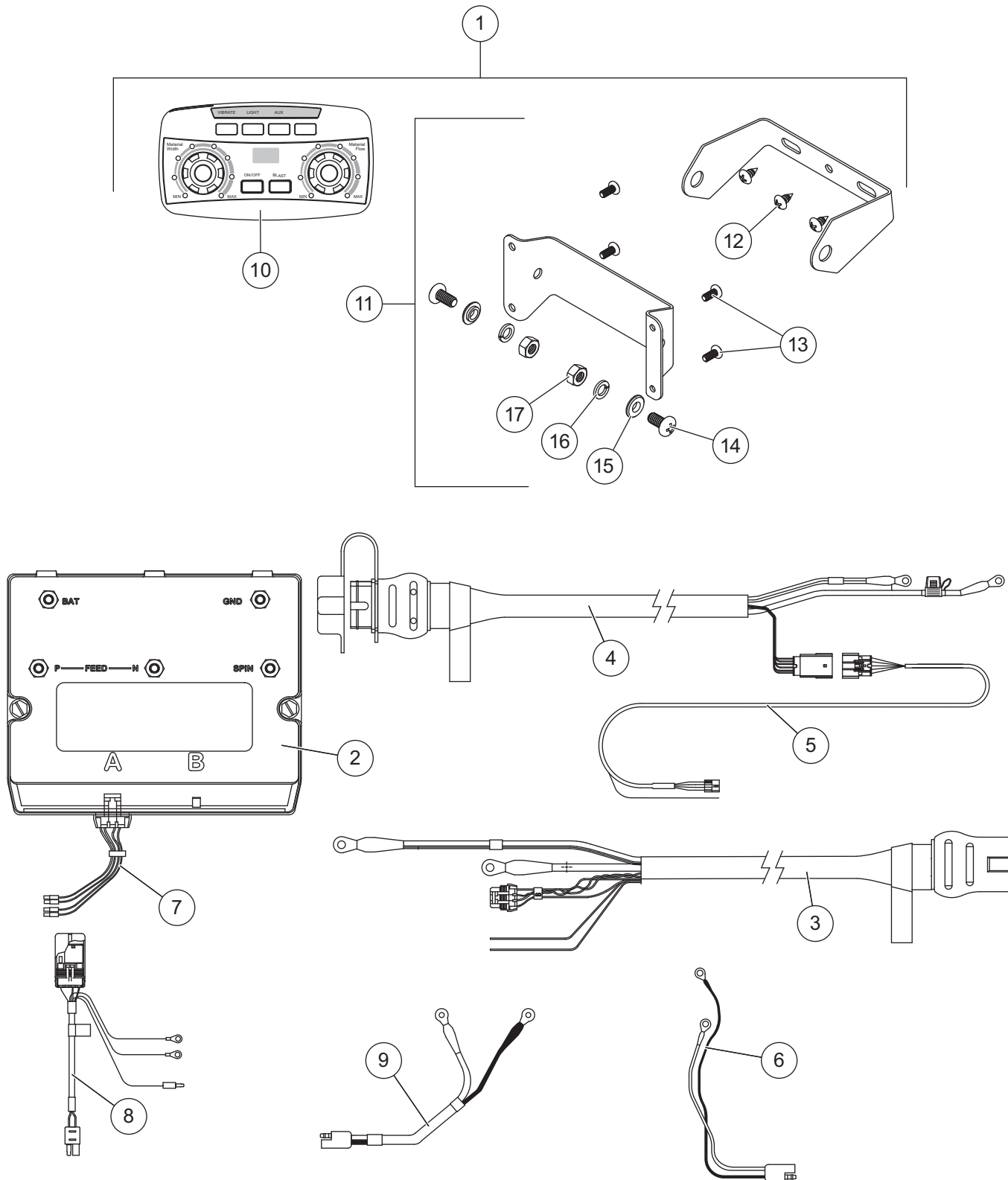


SPEED-CASTER™ 900 LOW-PROFILE TAILGATE SPREADER

Spinner, Chute & Deflector							
Item	Part	Qty	Description	Item	Part	Qty	Description
1	75901	1	Motor Kit	4	75685	1	Spinner Kit
2	75686	1	Spinner Transmission Kit	5	75665	1	Deflector Kit
3	75691	1	Material Chute Kit				
Item 1				75901 Motor Kit			
6		2	#10-32 x 5/8 Hex Cap Screw Serrated Flange w/Patch	7		1	Motor 12V DC, 3 x 3.8
Item 2				75686 Spinner Transmission Kit			
8		2	1/4-20 x 3/4 Hex Cap Screw Serrated Flange SS	9		1	Transmission 8:1 Worm Gear
				10	D6232	1	Motor Drive Coupler
Item 3				75691 Material Chute Kit			
11		1	Material Chute	12		2	3/16 x 0.354 Rivet – Black Aluminum
Item 4				75685 Spinner Kit			
13		1	Spinner, 12" Steel	14		1	5/16-18 x 1/2 Hex Cap Screw
Item 5				75665 Deflector Kit			
15		2	3/8-16 x 1 Hex Cap Screw Serrated Flange Type F	16		1	Deflector
SS = Stainless Steel							

SPEED-CASTER™ 900 LOW-PROFILE TAILGATE SPREADER

ELECTRICAL COMPONENTS



SPEED-CASTER™ 900 LOW-PROFILE TAILGATE SPREADER

Electrical Components							
Item	Part	Qty	Description	Item	Part	Qty	Description
1	52440	1	Spreader Control Kit	6	78398	1	Spinner Motor Harness
2	52375	1	Spreader Module, 5-Post	7	69893	1	10-Pin Connector w/4 Wires
3	72092	1	Spreader Harness*	8	78382	1	Vibrator Harness Assembly
4	72090	1	Vehicle Harness*	9	78397	1	Auger Motor Harness
5	69902	1	Vehicle Control Harness				
Item 1	52440 Spreader Control Kit						
10	52442	1	Spreader Control	14		2	1/4-20 x 1/2 Pan Head Machine Screw SS – Black
11	52345	1	Control Bracket Kit	15		2	1/4 Shoulder Washer SS – Black
12		3	#10 x 3/8 Pan Head Tapping Screw SS	16		2	1/4 Lock Washer SS
13		4	#8 x 3/8 Pan Head Machine Screw	17		2	1/4-20 Hex Nut G5 – Black
			SS = Stainless Steel				G = Grade

* For spreaders with 8-pin harnesses, order the 52348 harness kit (contains both spreader and vehicle harnesses).

SPEED-CASTER™ 900 LOW-PROFILE TAILGATE SPREADER



Fisher Engineering
50 Gordon Drive
Rockland, ME 04841-2139
www.fisherplows.com

A DIVISION OF FISHER, LLC

Copyright © 2019 Douglas Dynamics, LLC. All rights reserved. This material may not be reproduced or copied, in whole or in part, in any printed, mechanical, electronic, film, or other distribution and storage media, without the written consent of Fisher Engineering. Authorization to photocopy items for internal or personal use by Fisher Engineering outlets or spreader owner is granted.

Fisher Engineering reserves the right under its product improvement policy to change construction or design details and furnish equipment when so altered without reference to illustrations or specifications used. Fisher Engineering or the vehicle manufacturer may require or recommend optional equipment for spreaders. Do not exceed vehicle ratings with a spreader. Fisher Engineering offers a limited warranty for all spreaders and accessories. See separately printed page for this important information. The following are registered (®) or unregistered (™) trademarks of Douglas Dynamics, LLC: FISHER®, SPEED-CASTER™ 900.

Printed in U.S.A.