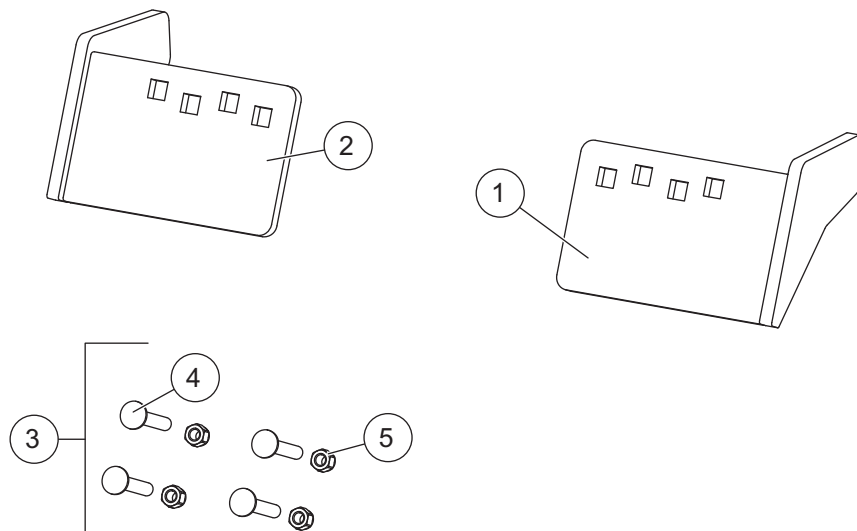


Wear/Curb Guard Kit

PARTS LIST



| 43885 Wear/Curb Guard Kit | | | | | | | |
|---------------------------|-------|-----|-----------------------------|-----------------------|-------|-----|-------------------------------|
| Item | Part | Qty | Description | Item | Part | Qty | Description |
| 1 | 43896 | 1 | Curb Guard – DS | 3 | 44421 | 1 | Bolt Bag |
| 2 | 43897 | 1 | Curb Guard – PS | | | | |
| Item 3 | | | | 44421 Bolt Bag | | | |
| | | 4 | 5/8-11 x 3 Carriage Bolt G5 | | | 4 | 5/8-11 Hex Locknut GB Topping |
| G = Grade | | | | | | | |

⚠ WARNING

Do not exceed GVWR or GAWR, including blade and ballast. The rating label is found on the driver-side vehicle door cornerpost.

⚠ WARNING

Blade can drop unexpectedly. Place blade on jack stands. Failure to do so could result in serious personal injury.

⚠ CAUTION

Read this document before installing the wear/curb guards.

⚠ CAUTION

Use standard methods and practices when attaching snowplow and installing accessories, including proper personal protective safety equipment.

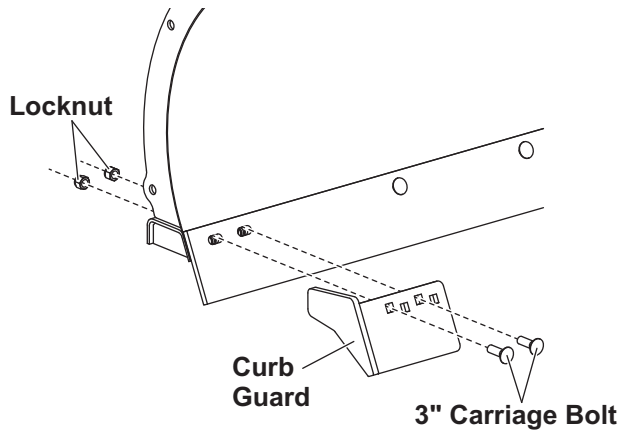
⚠ CAUTION

See your sales outlet/Web site for specific vehicle application recommendations before installation. The online selection tool has specific vehicle and snowplow requirements.

43885

INSTALLATION INSTRUCTIONS

1. Park the vehicle on a smooth, level, hard surface, such as concrete. Raise the blade, then turn the control OFF. From the side of the blade assembly, place jack stands under the blade.
2. Turn the control ON and lower the blade so the blade rests securely on the jack stands. Turn the control OFF. Turn the vehicle ignition to the "OFF" position and remove the key.
3. Remove the two outermost carriage bolts from one end of the blade.
4. Align the holes in the curb guard with the holes in the blade.
5. Install the curb guard to the blade using two carriage bolts and locknuts. Hand tighten.
6. Repeat Steps 3–5 on the other end of the blade.
7. Fully tighten the fasteners to 150 ft-lb.
8. Turn the vehicle ignition and snowplow control ON. Raise the blade slightly. Turn the control OFF and remove the jack stands.
9. Stand 8 feet clear of the blade, and lower the blade to the ground.



Copyright © 2015 Douglas Dynamics, LLC. All rights reserved. This material may not be reproduced or copied, in whole or in part, in any printed, mechanical, electronic, film or other distribution and storage media, without the written consent of the company. Authorization to photocopy items for internal or personal use by the company's outlets or snowplow owner is granted.

The company reserves the right under its product improvement policy to change construction or design details and furnish equipment when so altered without reference to illustrations or specifications used. This equipment manufacturer or the vehicle manufacturer may require or recommend optional equipment for snow removal. Do not exceed vehicle ratings with a snowplow. The company offers a limited warranty for all snowplows and accessories. See separately printed page for this important information.

Printed in U.S.A.