



7-1/2', 8-1/2' and 9-1/2' MVP PLUS™ Snowplows

Mild Steel Blades 44475-1, 44485-1 and 44495-1

Poly Blades 44575-1, 44585-1 and 44595-1

H,L&T Center Assembly 44225-1

Parts List



www.storksplows.com
TABLE OF CONTENTS

MVP PLUS™ BLADES 4

MVP PLUS HYDRAULIC, LIFT FRAME AND T-FRAME (HL&T) CENTER ASSEMBLY 6

 Lift Frame and T-Frame 6

 Hydraulic Unit 8

 Cover Assembly 10

 Lift and Angle Rams 11

 Hoses and Fittings 11

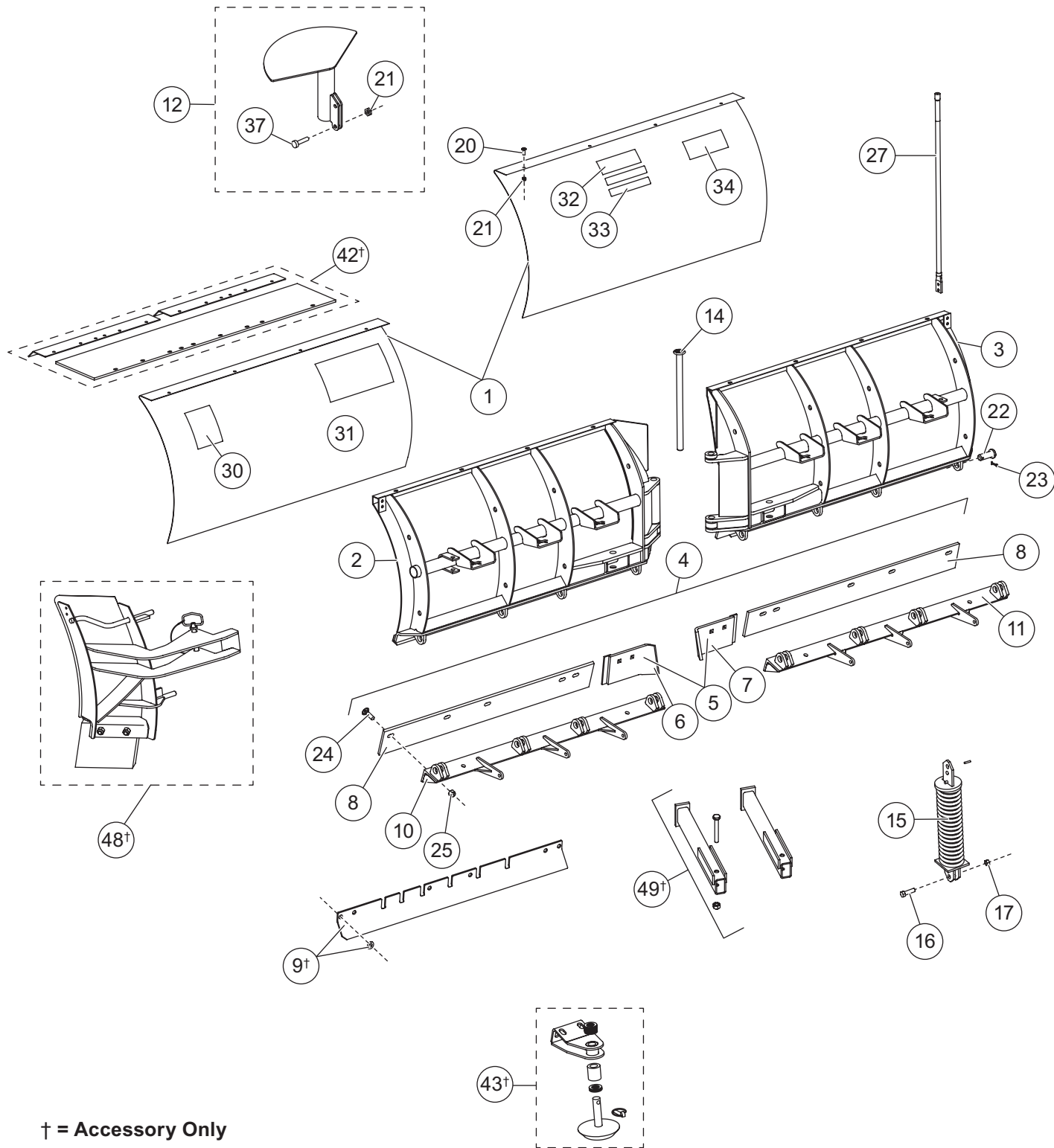
 Electrical Components 12

 Vehicle-Side Wiring Diagram – 3-Port, 2-Plug Systems 13

 Vehicle-Side Wiring Diagram – 4-Port, 2-Plug Systems 14

 Headlamp Kit 15

Blade Components – 9-1/2' Shown



† = Accessory Only

MVP PLUS™ BLADES 44475-1/44485-1/44495-1/44575-1/44585-1/44595-1

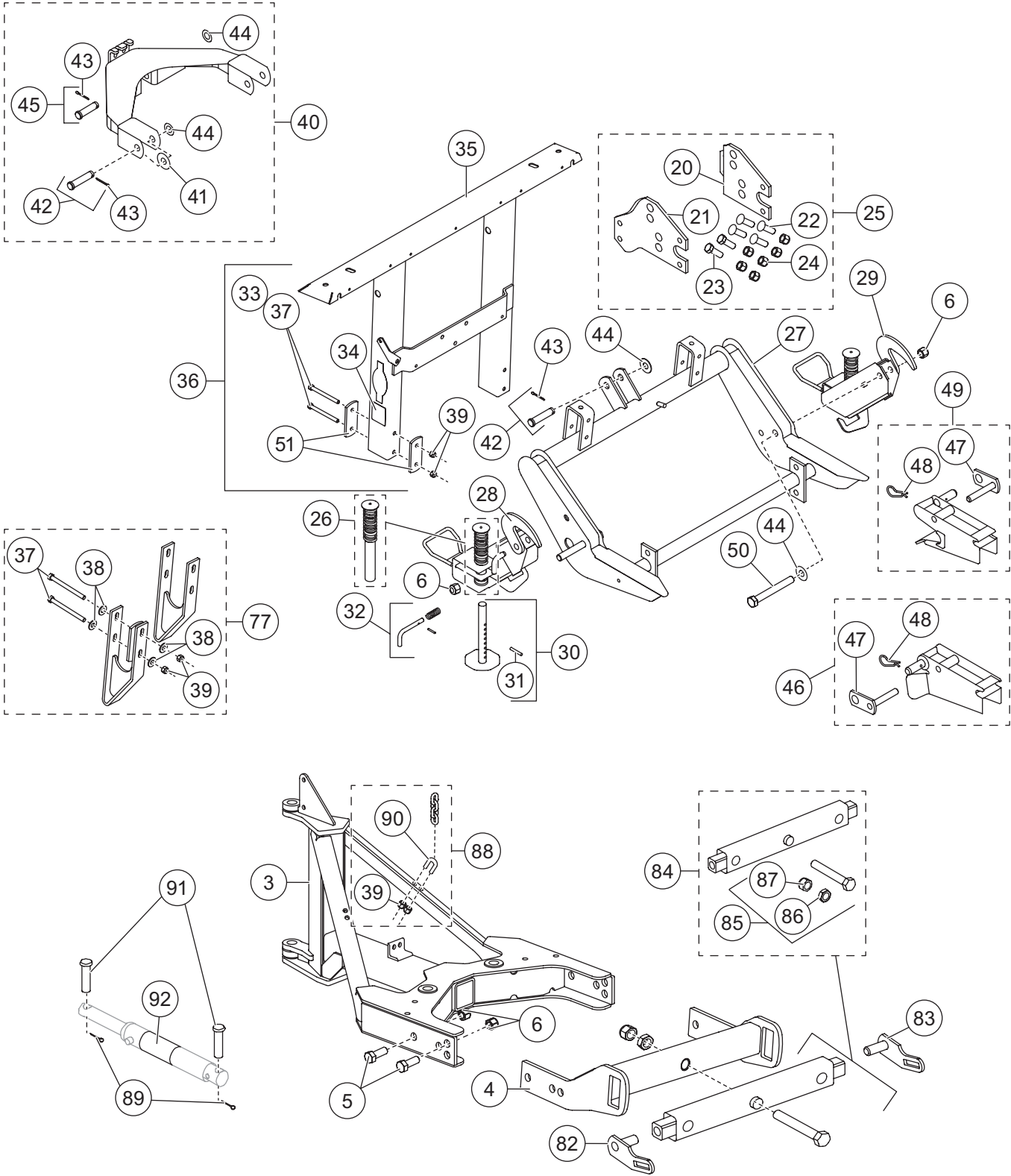
44475-1/44485-1/44495-1/44575-1/44585-1/44595-1 MVP PLUS Blade						
Item Description	Part Number					
	7-1/2'		8-1/2'		9-1/2'	
	MS	PY	MS	PY	MS	PY
1 Moldboard Kit w/Fasteners & Labels	44715	44718	44716	44719	44717	44720
2 Frame, Base Angle & Spring Assembly – DS	44730		44731		44732	
3 Frame, Base Angle & Spring Assembly – PS	44733		44734		44735	
4 Cutting Edge Kit (3/8")	44561-1		44564-2		n/a	
Cutting Edge Kit (1/2")	44284-1†		44285-1†		44567-1	
5 Center Cutting Edge Kit	44894					
6 Center Cutting Edge – DS	44891					
7 Center Cutting Edge – PS	44890					
8 Cutting Edge (3/8")	44896		44897		n/a	
Cutting Edge (1/2")	44996†		44997†		44898	
9† Back Drag Edge Kit	44281-2†		44282-2†		44283-2†	
10 Base Angle DS	44142		44144		44146	
11 Base Angle PS	44143		44145		44147	
12 Center Snow Control Kit	44570				44571	

† = Accessory Only

Blade Pins, Fasteners, Labels & Springs					
Item	Part	Description	Item	Part	Description
14	44028	Main Pivot Pin	30	59900	Label – Warning/Caution, Snowplows
15	21452	Removable Spring Assembly	31	67796	Label – UltraMount® Attach/Detach
16	91000	7/16-14 x 1/2 x 1-5/8 Shoulder Bolt	32	44453	Label – Identity, MVP PLUS
17	90353	7/16-14 Hex Locknut GB	33	28404	Label – Identity, ULTRAFINISH™ (Mild Steel Moldboards Only)
20	98043	3/8-16 x 1 Button Cap Screw	34	44451	Label – Identity, WESTERN®
21	91333	3/8-16 Hex Locknut GB	ns	40986	Label – Identity, CONTRACTOR GRADE®
22	27227	1 x 2-3/4 Clevis Pin	ns	44790	Bolt Bag – Rubber Deflector, V
23	90607	1/4 x 1-3/4 Cotter Pin	ns	44763	Bolt Bag – Cutting Edge Kits (one side, 5 sets of fasteners)
24	5572	5/8-11 x 2 Carriage Bolt G5			
25	91337	5/8-11 Hex Locknut GB			
27	62595	Poly Blade Guide Kit			
Item 12	Center Snow Control Kit – 44570 (7-1/2' & 8-1/2' Blades) or 44571 (9-1/2' Blades)				
		Center Deflector	37	66456*	3/8-16 x 1-1/4 Hex Cap Screw G5
21	91333*	3/8-16 Hex Locknut GB			
Blade Accessories					
42†	44280	Deflector Kit (Universal)	49†	44473	Blade Stop Kit
43†	44277-1	Shoe Kit – Set Of 2	ns†	44674	Label Kit – Complete Blade
48†	44510-1	Blade Wing Extension Kit (8-1/2' & 9-1/2' blades only)			
ns = not shown * = Packed w/HL&T Center Assembly G = Grade † = Accessory Only					

MVP PLUS™ H,L&T CENTER ASSEMBLY 44225-1

Lift Frame and T-Frame Components



MVP PLUS™ H,L&T CENTER ASSEMBLY 44225-1

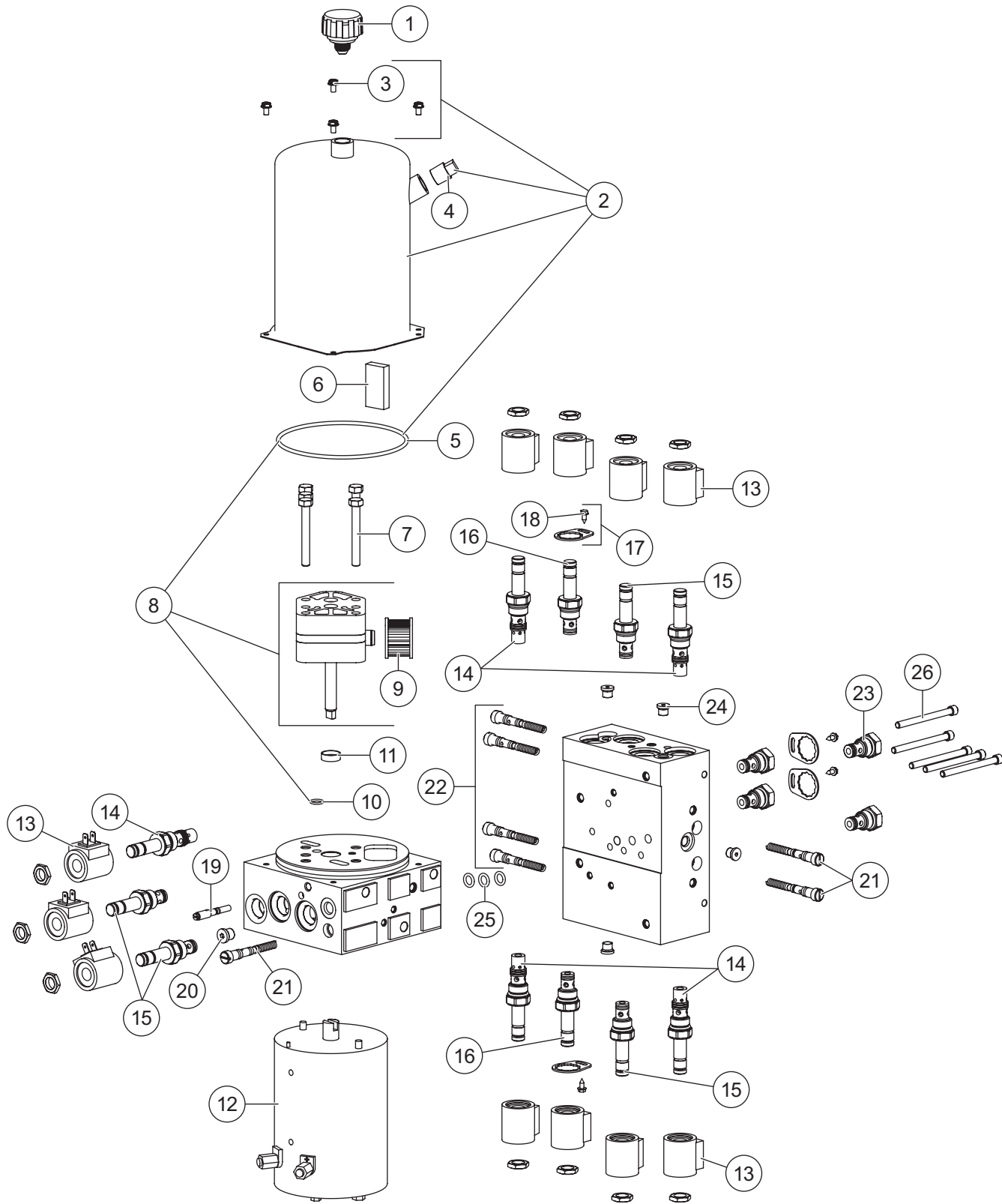
MVP PLUS Lift Frame and T-Frame Components							
Item	Part	Qty	Description	Item	Part	Qty	Description
3	44546-1	1	T-Frame Service Kit	43	91911K	4	5/32 x 1-1/2 Cotter Pin
4	44557-2	1	Pushbeam	44	91147	6	3/4 Flat Washer
5	90286	4	3/4-10 x 2 Hex Cap Screw G5	46	67858	1	Receiver Kit – DS
6	91338	6	3/4-10 Hex Locknut GB	47	67665	2	Receiver Pin
25	67843	1	Pivot Plate Service Kit	48	91965K	2	5/32 Hairpin Cotter
26	48523	1	Plunger w/ Spring	49	67859	1	Receiver Kit PS
27	67556-2	1	Lower Lift Frame	50	66451	2	3/4-10 x 6 Hex Cap Screw G5
28	67845	1	Stand Assembly – DS	77	44727	1	Stacking Stop Kit
29	67846	1	Stand Assembly – PS	82	67974	1	Pivot Pin – DS
30	67847	2	Stand Shoe Kit	83	67977	1	Pivot Pin – PS
31	67635	2	1/4 x 2 Roll Pin BP	84	67842-1	1	Pivot Bar Kit
32	67844	2	Stand Lock Pin Kit	85	67855	1	Pivot Bolt Kit
34	69689	1	Label – SECURITY GUARD™	88	49033	2	1/4 Grade 43 Chain Assembly
35	44545-2	1	Upper Lift Frame	89	90601	4	1/4 x 1-1/2 Cotter Pin
36	44729-1	1	Upper Lift Frame Fastener Kit	91	22260	4	1 x 4-3/4 Clevis Pin
40	67850-1	1	Lift Arm Kit	92	68675	2	Label – UltraLock Double-Acting Cylinder
42	93063K	3	3/4 x 3-1/4 Clevis Pin Kit				
Item 25				67843 Pivot Plate Service Kit			
20	67707	1	Pivot Plate A	23	90127	2	5/8-11 x 1-1/2 Hex Cap Screw G5
21	67708	1	Pivot Plate B	24	91337	6	5/8-11 Hex Locknut GB
22	5572	4	5/8-11 x 2 Carriage Bolt G5				
Item 36				44729-1 Upper Lift Frame Fastener Kit			
33*		4	3/8-16 x 4 Hex Cap Screw G8	39	91333	4	3/8-16 Hex Locknut GB
37**	44413	4	3/8-16 x 4-1/2 Hex Cap Screw G8	51		4	Plate, Upper Lift Frame
38	90315	8	3/8 Flat Washer				
Item 40				67850-1 Lift Arm Kit			
		1	Lift Arm	43	91911K	3	5/32 x 1-1/2 Cotter Pin
41	67727	2	Round Flat Washer Special	44	91147	3	3/4 Flat Washer
42	93063K	2	3/4 x 3-1/4 Clevis Pin Kit	45	64617	1	3/4 x 3 Clevis Pin Kit
Item 77				44727 Stacking Stop Kit			
		2	Stacking Stop	38	90315	8	3/8 Flat Washer
37	44413	4	3/8-16 x 4-1/2 Hex Cap Screw G8	39	91333	4	3/8-16 Hex Locknut GB
Item 84				67842-1 Pivot Bar Kit			
		1	Pivot Bar	85	67855	1	Pivot Bolt Kit
Item 85				67855 Pivot Bolt Kit			
		1	1-8 x 7 Hex Cap Screw G5	87	91340	1	1-8 Hex Locknut GB
86	67748	1	1-8 Hex Jam Nut G5				
Item 88				49033 1/4 Grade 43 Chain Assembly (2 per plow)			
		1	1/4 Grade 43 Chain	90	90453	1	3/8-16 x 1-1/2 U-Bolt G5
39	91333	2	3/8-16 Hex Locknut GB				
ns = not shown				G = Grade			

* Without Stacking Stops (Configuration 1, 2 or 3)

** With Stacking Stops (Configuration 4)

MVP PLUS™ H,L&T CENTER ASSEMBLY 44225-1

Hydraulic Unit Components



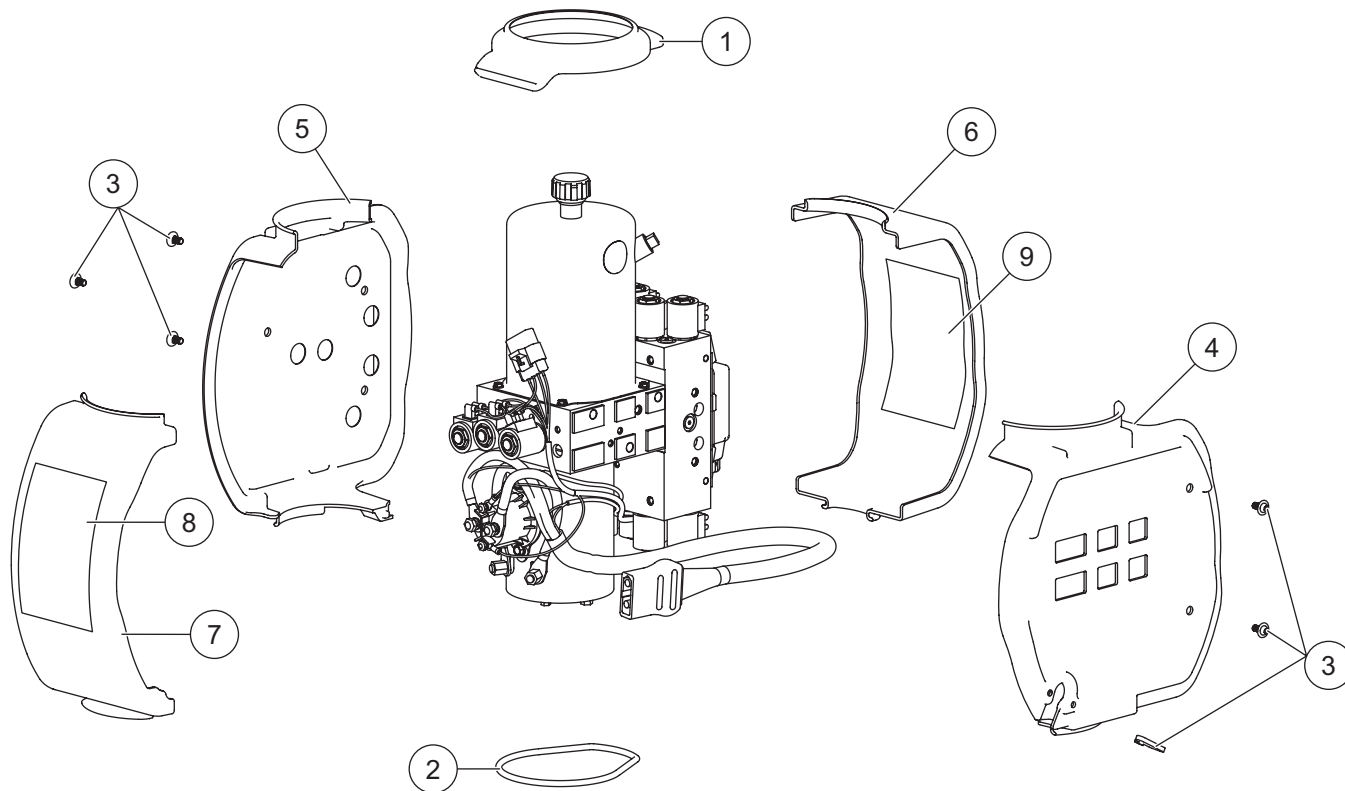
MVP PLUS™ H,L&T CENTER ASSEMBLY 44225-1

44320 Hydraulic Unit MVP PLUS							
48257 Hydraulic Unit Service Kit MVP PLUS*							
Item	Part	Qty	Description	Item	Part	Qty	Description
1	21727-2K	1	Breather Pressure Control	18	63943	4	8-18 x 3/8 Tapping Screw
2	44327-1	1	Reservoir Kit	19	56662	1	Quill Assembly 5/16-24 Thread
3	66607	4	10-24 x 5/16 Machine Screw		48517	1	Quill Assembly 1/2-20 Thread
4	92079	1	Plug, Square 3/8 NPTF	20	44344	1	Plug, Hex Socket –4 M ORB
5	66519	1	O-Ring 2-250	21	49138K-3	1-1/2	Relief Valve Kit (2 sets)
6	73897	1	Magnet	22	44338	2	Relief Valve Kit (2 sets)
7	90080	5	5/16-18 x 2-1/2 Hex Cap Screw G5	23	44334-1	4	Check Valve CV08-20
8	44328-1	1	Pump Kit	24	92960	4	Plug, Hex Socket –3 M ORB
9	56789-3	1	Suction Filter	25	29077	3	O-Ring – 110
10	56274	1	O-Ring – 013	26	29081	5	1/4-20 x 3 Socket Cap Screw
11	66515	1	Pump Shaft Seal	ns	29099	2	1/4-20 x 1/4 Hex Washer-Head Thread-Rolling Screw
12	21500-1	1	Motor Assembly, 4-1/2"	ns	44326	1	1/4-20 x 1/2 6-Lobe Round Washer-Head Screw (pkg of 5)
13	49230K-2	11	Coil w/Spade Terminals	ns	44355	2	1/4-20 x 5/8 Hex Washer-Head Thread-Rolling Screw
14	44332	5	Valve SVCV08-20 w/Nut				
15	49227K-2	4	Valve SV08-2004 w/Nut				
16	44336	2	Valve SF08-2015 w/Nut				
17	44369	4	Valve Lock Ring w/Screw				
O-Ring Service Kits							
–	56657-3	–	Back-Up/O-Ring Kit (Does not contain O-rings for cartridge valves.)	–	49259-2	–	Seal Kit – Valves SV08-30, 31, 33, 40, 43 and SVCV08-20
–	49258-2	–	Seal Kit – Valves SV08-2004, CV08-20, SF08-2015				
ns = not shown				G = Grade			

* includes 44320 Hydraulic Unit, 44325 Cover Assembly (p. 7) and Plow-Side Electrical Components (p. 9)

MVP PLUS™ H,L&T CENTER ASSEMBLY 44225-1

Hydraulic Unit Cover Assembly

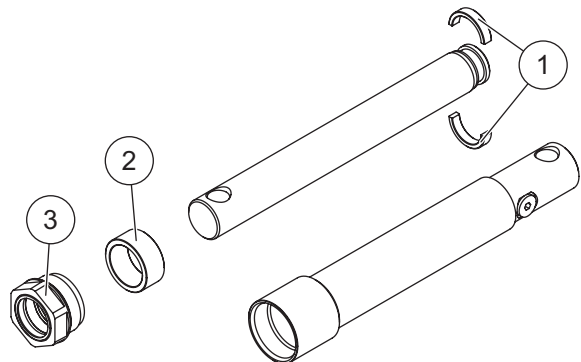


44325 Cover Assembly							
Item	Part	Qty	Description	Item	Part	Qty	Description
1	44352	1	Top Retainer Ring	6		1	Cover Side 03
2	44366	1	Bottom Retainer Ring	7		1	Cover Side 04
3	44326	1	1/4-20 x 1/2 6-Lobe Round Washer-Head Screw (pkg of 5) w/8" Cable Tie	8	44310	1	Label - Information (S1-S3)
4		1	Cover Side 01	9	44319	1	Label - Information (S4-S11)
5		1	Cover Side 02	ns	61536	1	Cable Tie 14"
				ns	44414	1	Label - Identity

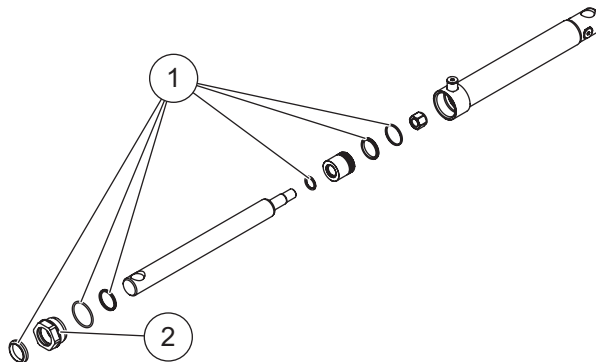
ns = not shown

MVP PLUS™ H,L&T CENTER ASSEMBLY 44225-1

Lift and Angle Ram Components

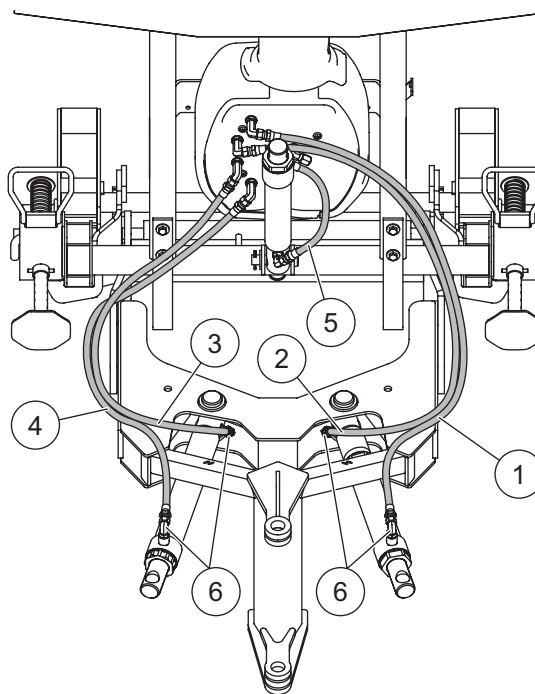
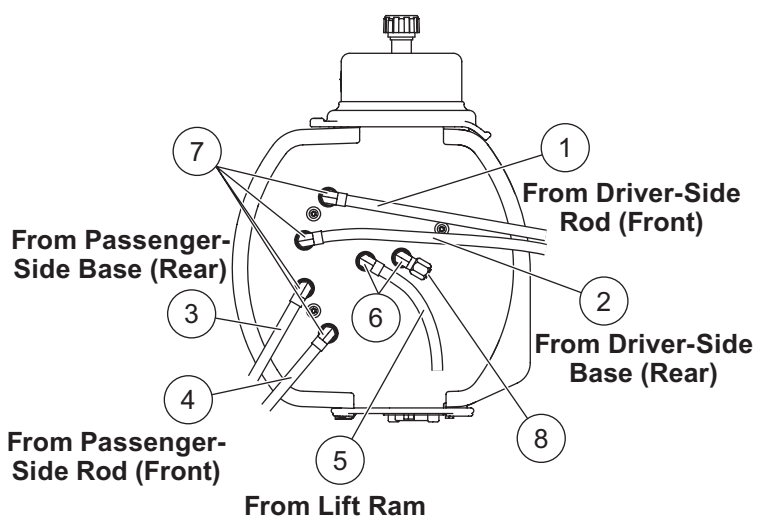


56538K Lift Ram Assembly 1-1/2 x 8			
Item	Part	Qty	Description
1	64650	1	Split Bearing Kit 1-1/2"
2	56537	1	Spacer
3	48985	1	Gland Nut Assembly



44341 Angle Ram Assembly 1-3/4 x 11 DA			
Item	Part	Qty	Description
1	44342	1	Seal Kit 1-3/4 DA Ram
2	48985	1	Gland Nut Assembly

Hoses and Fittings

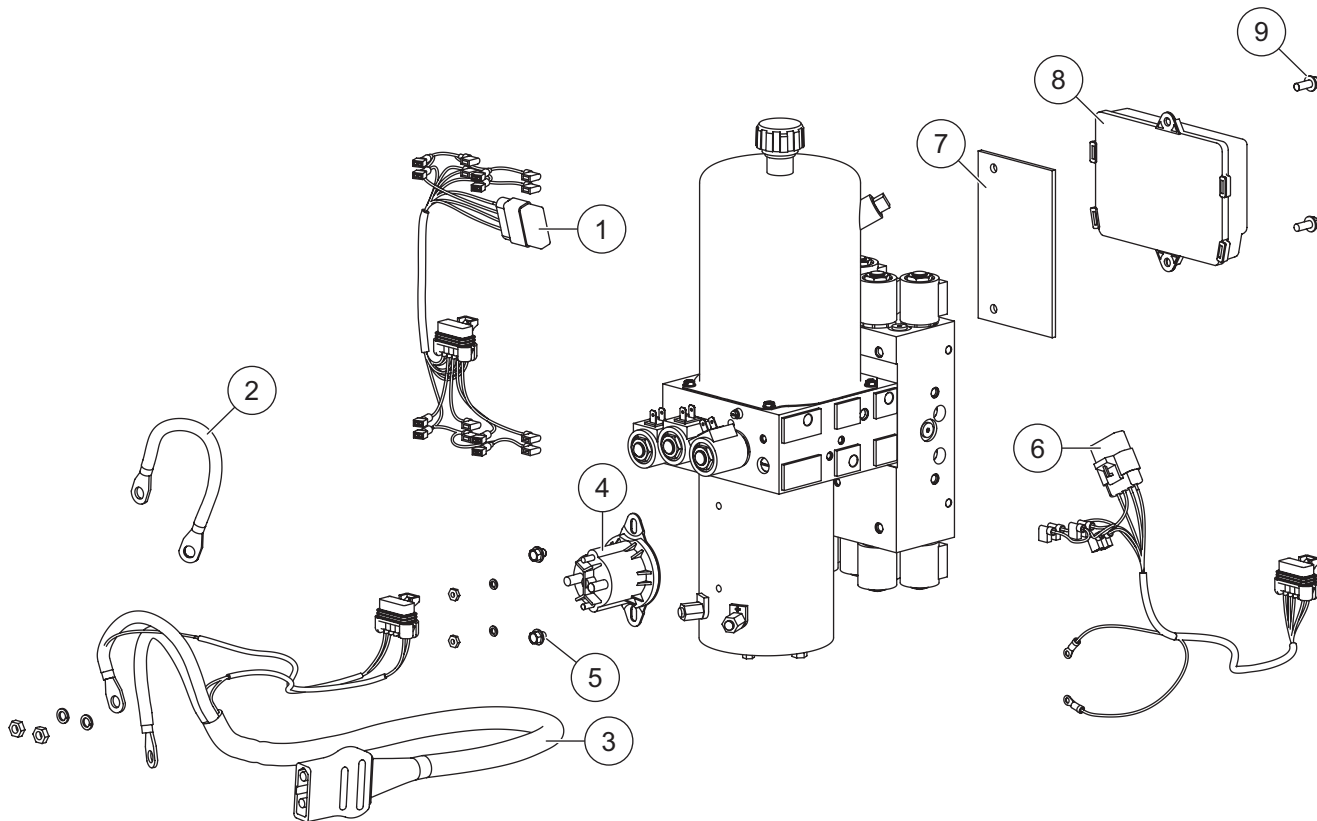


Hoses and Fittings							
Item	Part	Qty	Description	Item	Part	Qty	Description
1	56616-1	1	Hose, 1/4 x 42 w/F JIC Ends	7	64212-1	4	Elbow, Extra Long 90° -6 M JIC/ -6 M ORB
2	44350	1	Hose, 3/8 x 45 w/F JIC Ends	8	44346	1	Drain Cap, -6 F JIC
3	44351	1	Hose, 3/8 x 38 w/F JIC Ends	ns	56823	2	Hose Wrap, Polyethylene
4	56599	1	Hose, 1/4 x 36 w/F JIC Ends	ns	90039	3	3/8-16 x 1 Hex Cap Screw G5
5	44347	1	Hose, 1/4 x 12 w/F JIC Ends				
6	56615-1	7	Elbow, 90° -6 M JIC/-6 M ORB				

F = Female G = Grade HP = High Pressure M = Male or Metric ns = not shown

MVP PLUS™ H,L&T CENTER ASSEMBLY 44225-1

Electrical Components



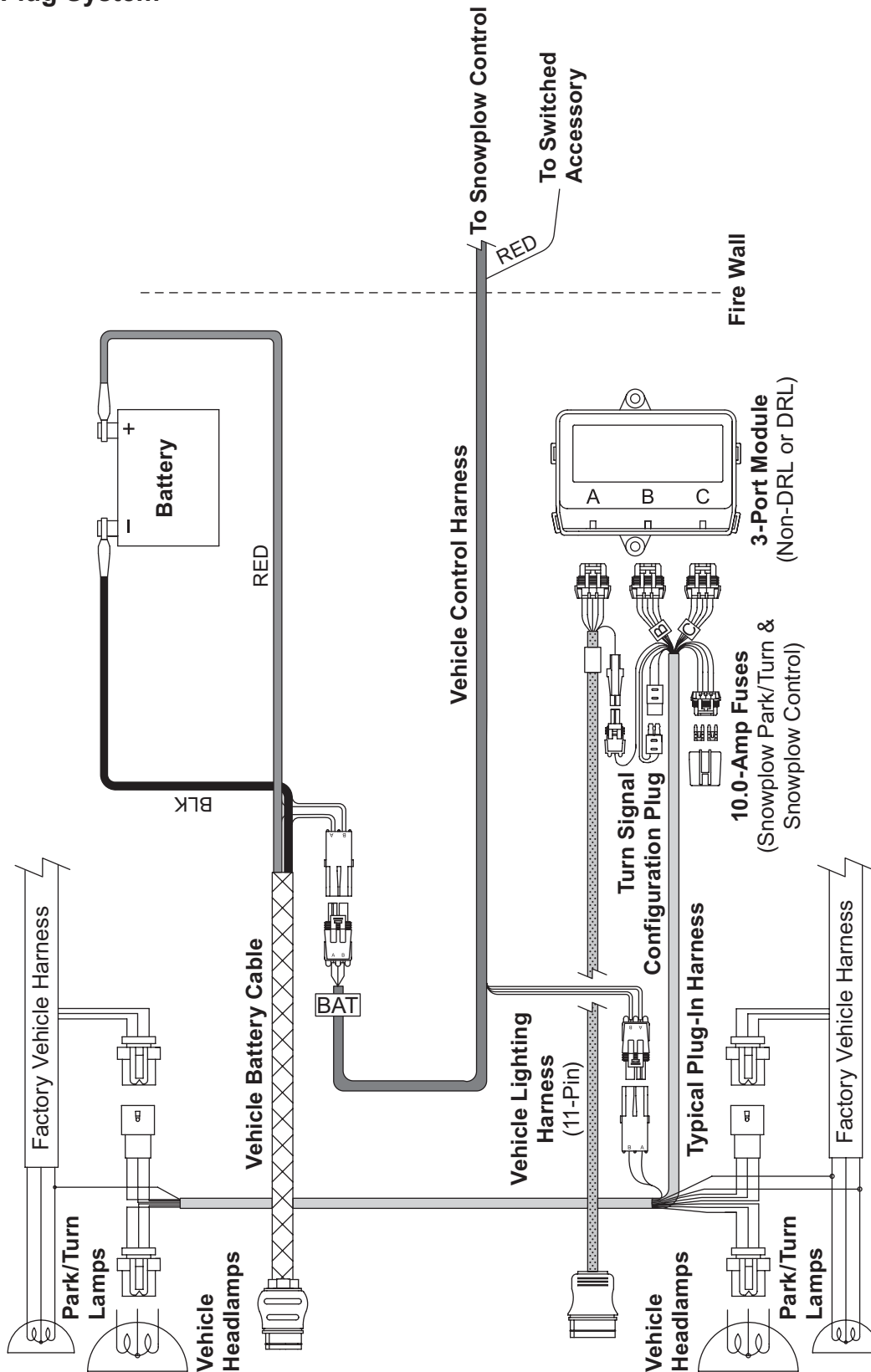
Plow-Side Electrical Components							
Item	Part	Qty	Description	Item	Part	Qty	Description
1	28583	1	Harness Plow Control, 8-Solenoid	7	44308	1	Spacer Module
2	29071	1	Cable Assembly 8"	8	44354-3	1	Plow Module
3	42015	1	Plow Battery Cable	9	44355	2	1/4-20 x 5/8 Hex Washer-Head Thread-Rolling Screw
4	42902	1	Motor Relay Kit FLEET FLEX	ns	61246	1	Cable Boot
5	29099	2	1/4-20 x 1/4 Hex Washer-Head Thread-Rolling Screw	ns	56099	1	Dielectric Grease
6	28581-1	1	Harness Plow Control, 3-Solenoid				
Vehicle-Side Electrical Components							
*	42014	1	Vehicle Battery Cable	*	44658†	1	Harness Adapter, 4-Port to 28587 Control Harness
*	28587	1	Vehicle Control Harness				
*	26421†	1	Configuration Plug	ns	61548K	1	Plug Cover Kit
ns = not shown							

* = For Diagram See Vehicle-Side Wiring Diagram

† = For Use With 4-Port Isolation Module Only

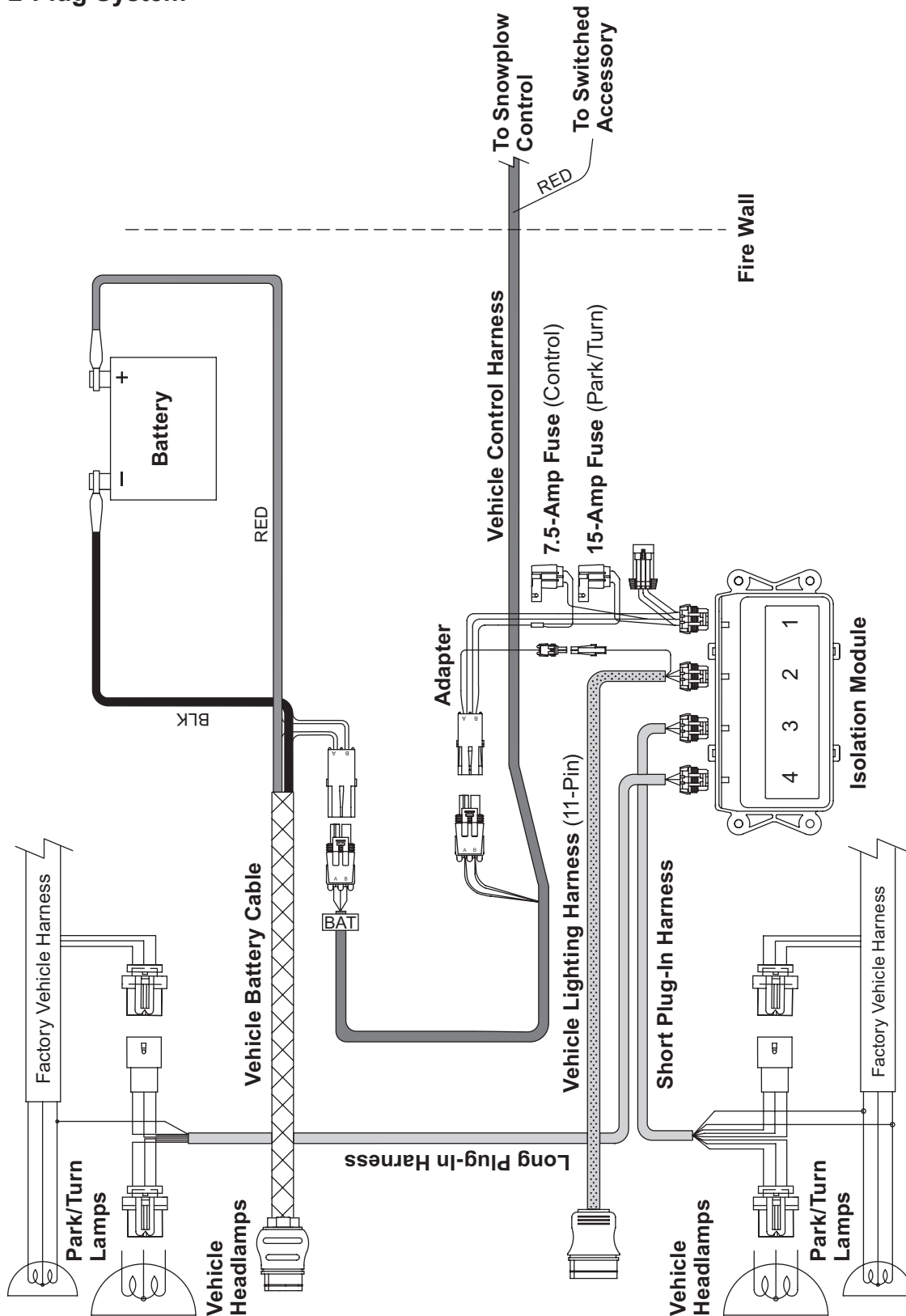
MVP PLUS™ H,L&T CENTER ASSEMBLY 44225-1

Vehicle-Side Harness Diagram 3-Port, 2-Plug System



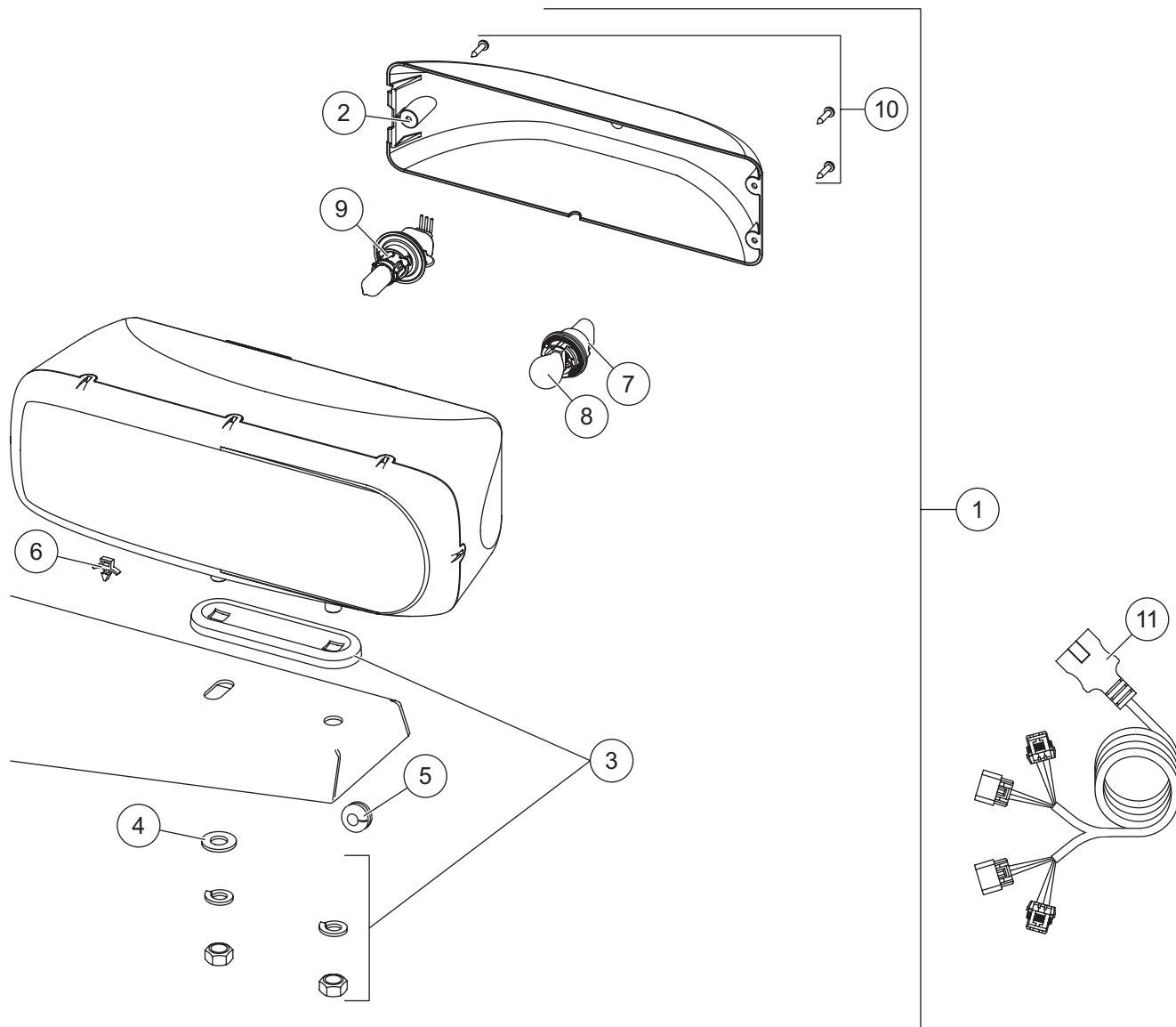
MVP PLUS™ H,L&T CENTER ASSEMBLY 44225-1

Vehicle-Side Harness Diagram 4-Port, 2-Plug System



MVP PLUS™ H,L&T CENTER ASSEMBLY 44225-1

Headlamp Kit



28800-1 Headlamp Kit (Pair)

Item	Part	Qty	Description	Item	Part	Qty	Description
1	28801-1	1	Headlamp Service Kit – DS	6	56595	7	Cable Tie Anchor
ns	28802-1	1	Headlamp Service Kit – PS	7	28805	2	Park/Turn Socket Service Kit
2	28803-1	2	Rear Cover Kit (fits 2- or 3-screw)	8		2	Park/Turn Bulb (trade no. 4157NAK)
3	28804	2	Mounting Hardware Kit	9	28806	2	H13 Headlamp Bulb Service Kit
4	4433	2	1/2 Flat Washer – Type B, Wide	10	28808-1	2	Cover Screws Service Kit (pkg of 3)
5	66130	2	Rubber Grommet	11	28213W	1	Harness Service Kit

ns = not shown



Western Products
PO Box 245038
Milwaukee, WI 53224-9538
www.westernplows.com

 A DIVISION OF DOUGLAS DYNAMICS, LLC

Copyright © 2014 Douglas Dynamics, LLC. All rights reserved. This material may not be reproduced or copied, in whole or in part, in any printed, mechanical, electronic, film or other distribution and storage media, without the written consent of Western Products. Authorization to photocopy items for internal or personal use by Western Products outlets or snowplow owner is granted.

Western Products reserves the right under its product improvement policy to change construction or design details and furnish equipment when so altered without reference to illustrations or specifications used. Western Products or the vehicle manufacturer may require or recommend optional equipment for snow removal. Do not exceed vehicle ratings with a snowplow. Western Products offers a limited warranty for all snowplows and accessories. See separately printed page for this important information. The following are registered (®) or unregistered (™) trademarks of Douglas Dynamics, LLC: CONTRACTOR GRADE®, MVP PLUS™, SECURITY GUARD™, ULTRAFINISH™, UltraMount®, WESTERN®.

Printed in U.S.A.