



WESTERN PRODUCTS
 P.O. BOX 245038
 MILWAUKEE, WI 53224-9538
 www.westernplows.com

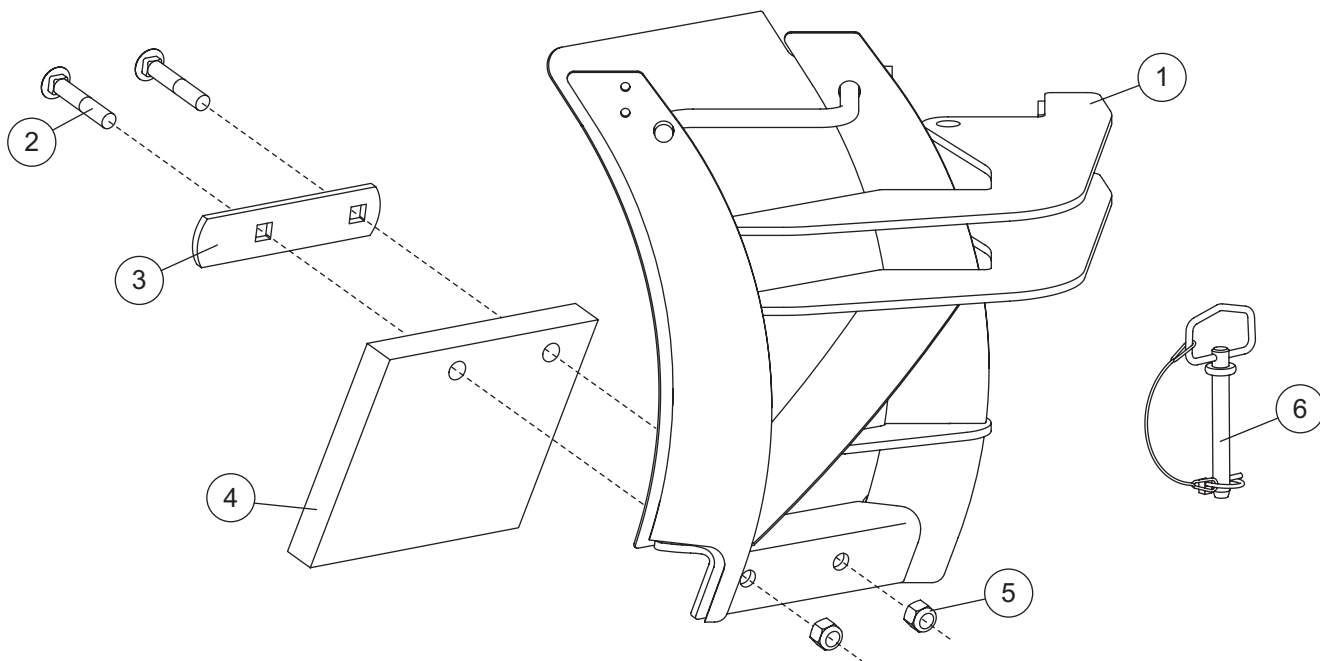
dd A DIVISION OF DOUGLAS DYNAMICS, L.L.C.

**44510-1 – 8-1/2' & 9-1/2'
 MVP PLUS™ Blades**

BLADE WING EXTENSION KIT

Parts List & Installation Instructions

PARTS LIST



| 44510-1 BLADE WING EXTENSION KIT – MVP PLUS | | | | | | | |
|---|-------|-----|-------------------------------|-----------|-------|-----|-----------------------------------|
| Item | Part | Qty | Description | Item | Part | Qty | Description |
| 1 | 44511 | 1 | BLADE WING EXTENSION DS | 4 | 44508 | 2 | CUTTING EDGE BLADE WING EXTENSION |
| ns | 44512 | 1 | BLADE WING EXTENSION PS | | | | |
| 2 | 90265 | 4 | 5/8-11X3-1/2 CARRIAGE BOLT G5 | 5 | 91337 | 4 | HEXLOCKNUT_5/8-11 GB TOPRING |
| 3 | 44507 | 2 | BAR CLAMP | 6 | 67921 | 2 | PIN HITCH 5/8 X 4.75 |
| ns = not shown | | | | G = grade | | | |

44510-1 BLADE WING EXTENSION KIT

INSTALLATION INSTRUCTIONS

⚠ WARNING

Do not exceed GVWR or GAWR, including blade and ballast. The rating label is found on the driver-side vehicle door cornerpost.

⚠ CAUTION

Read this document before installing the blade wing kit.

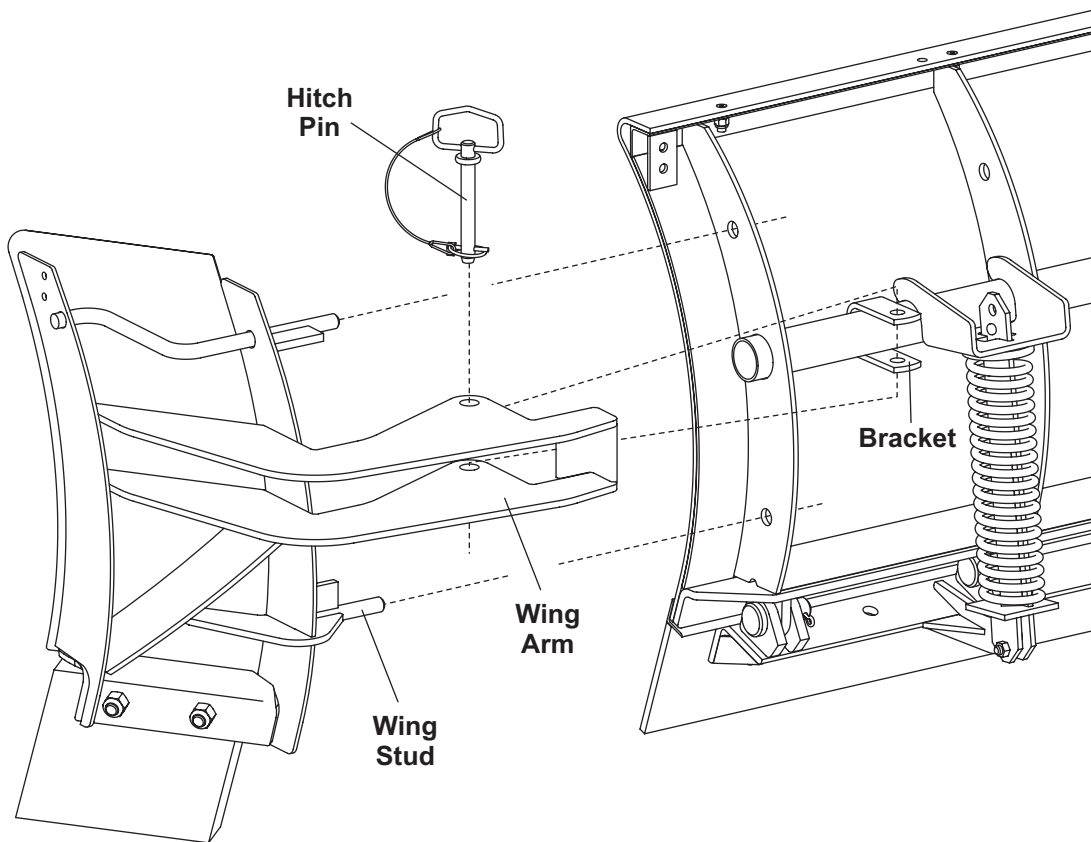
⚠ CAUTION

Use standard methods and practices when attaching snowplow and installing accessories including proper personal protective safety equipment.

⚠ CAUTION

See your WESTERN® outlet/Web site for specific vehicle application recommendations before installation. Blade wing weight information may be found in the Selection List.

1. Insert the wing studs into the holes in the outermost rib.
2. Rotate the wing until the holes in the bracket on the blade align with the holes in the wing arm.
3. Insert the hitch pin into the wing arm and bracket holes, and secure with the hairpin cotter.
4. Repeat Steps 1–3 on the other side.



Copyright © 2007 Douglas Dynamics, L.L.C. All rights reserved. This material may not be reproduced or copied, in whole or in part, in any printed, mechanical, electronic, film or other distribution and storage media, without the written consent of Western Products. Authorization to photocopy items for internal or personal use by Western Products outlets or snowplow owner is granted.

Western Products reserves the right under its product improvement policy to change construction or design details and furnish equipment when so altered without reference to illustrations or specifications used. Western Products or the vehicle manufacturer may require or recommend optional equipment for snow removal. Do not exceed vehicle ratings with a snowplow. Western Products offers a limited warranty for all snowplows and accessories. See separately printed page for this important information. The following are registered (®) or unregistered (™) trademarks of Douglas Dynamics, L.L.C.: MVP PLUS™, WESTERN®.