



Fisher Engineering

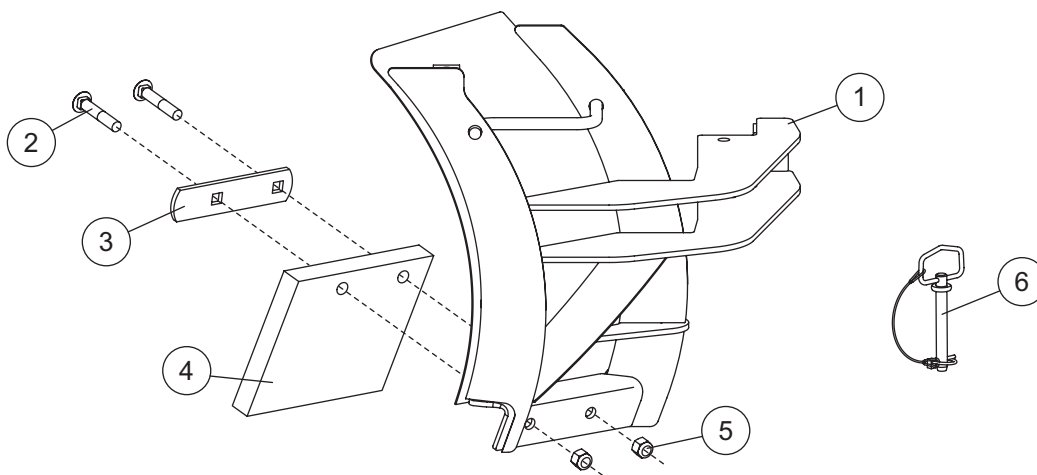
P.O. Box 529 Rockland, Maine 04841 • www.fisherplows.com

February 15, 2007
Lit. No. 44618, Rev. 02

BLADE WING EXTENSION KIT

8-1/2' & 9-1/2' XtremeV™ Snowplows

PARTS LIST



44610-1 Blade Wing Extension Kit							
Item	Part	Qty	Description	Item	Part	Qty	Description
1	44611	1	Blade Wing Extension – DS	4	44508	2	Blade Wing Extension Cutting Edge
ns	44612	1	Blade Wing Extension – PS	5	91337	4	5/8-11 Hex Locknut GB
2	90265	4	5/8-11 x 3-1/2 Carriage Bolt G5	6	67921	2	5/8 x 4.75 Hitch Pin
3	44507	2	Clamp Bar				
ns = not shown				G = grade			

44610-1

INSTALLATION INSTRUCTIONS

⚠ WARNING

Do not exceed GVWR or GAWR, including blade and ballast. The rating label is found on the driver-side vehicle door cornerpost.

⚠ CAUTION

Read this document before installing the blade wing kit.

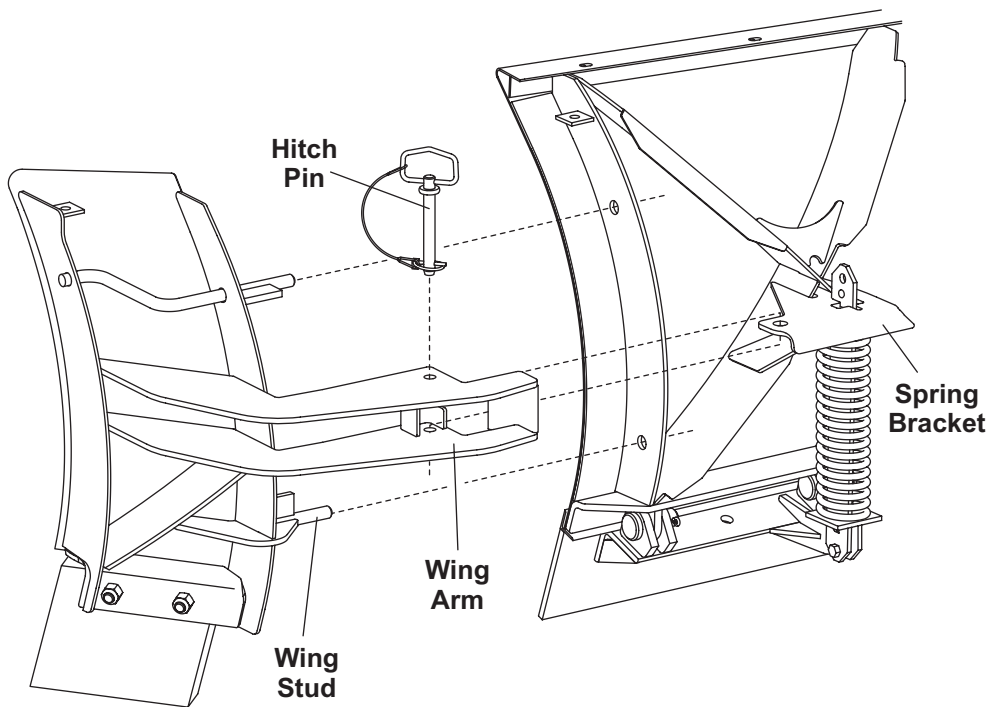
⚠ CAUTION

Use standard methods and practices when attaching snowplow and installing accessories including proper personal protective safety equipment.

⚠ CAUTION

See your FISHER® outlet/Web site for specific vehicle application recommendations before installation. Blade wing weight information may be found in the Kit Selection Guide.

1. Insert the wing studs into the holes in the outermost rib while aligning the holes in the wing arm with the hole in the spring bracket.
2. Insert the hitch pin into the wing arm and spring bracket holes, and secure with the hairpin cotter.
3. Repeat Steps 1 and 2 on the other side.



Copyright © 2007 Douglas Dynamics, L.L.C. All rights reserved. This material may not be reproduced or copied, in whole or in part, in any printed, mechanical, electronic, film or other distribution and storage media, without the written consent of Fisher Engineering. Authorization to photocopy items for internal or personal use by Fisher Engineering outlets or snowplow owner is granted.

Fisher Engineering reserves the right under its product improvement policy to change construction or design details and furnish equipment when so altered without reference to illustrations or specifications used. Fisher Engineering or the vehicle manufacturer may require or recommend optional equipment for snow removal. Do not exceed vehicle ratings with a snowplow. Fisher Engineering offers a limited warranty for all snowplows and accessories. See separately printed page for this important information. The following are registered (®) or unregistered (™) trademarks of Douglas Dynamics, L.L.C.: FISHER®, XtremeV™.

Printed in U.S.A.