



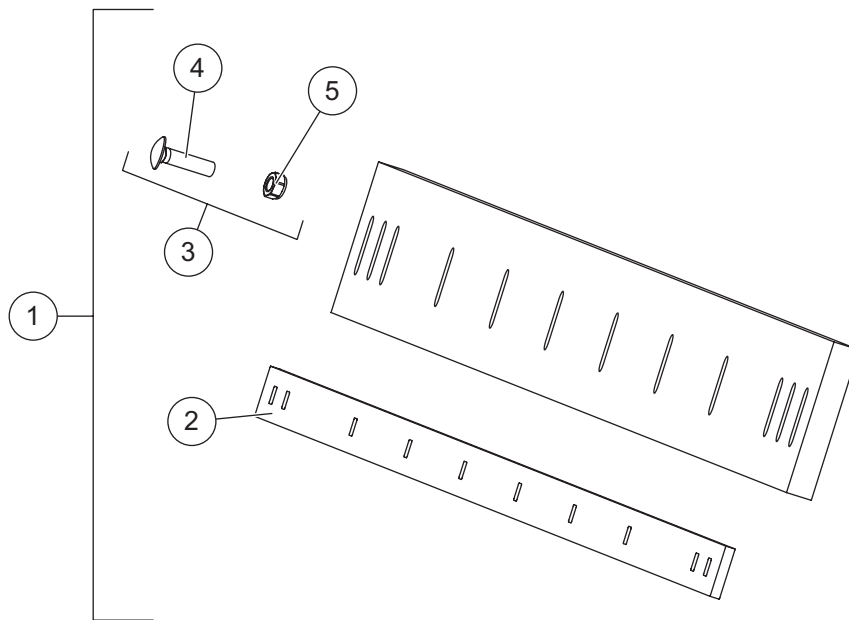
84530, 84531
84532, 84533

TrynEx International, LLC, 531 Ajax Drive, Madison Heights, MI 48071-2429 • www.snowexproducts.com

October 1, 2015
Lit. No. 48158, Rev. 01

Rubber Cutting Edge HD Snowplows

PARTS LIST



1" Rubber Cutting Edge Kit – HD Snowplows					
Item	Description	Part Number			
		7-1/2' Blade	8' Blade	8-1/2' Blade	9' Blade
1	1" Rubber Cutting Edge Kit	84530	84531	84532	84533
2	Bolting Bar	54546	54547	54548	54549
3	Bolt Bag – Rubber Cutting Edge	52568			

52568 Bolt Bag							
Item	Part	Qty	Description	Item	Part	Qty	Description
4		10	5/8-11 x 3 Carriage Bolt G5	5		10	5/8-11 Hex Locknut GB
G = Grade							

INSTALLATION INSTRUCTIONS

⚠ WARNING
Do not exceed GVWR or GAWR, including blade and ballast. The rating label is found on the driver-side vehicle door cornerpost.

⚠ WARNING
Blade can drop unexpectedly. Place A-frame on jack stands. Failure to do so could result in serious personal injury.

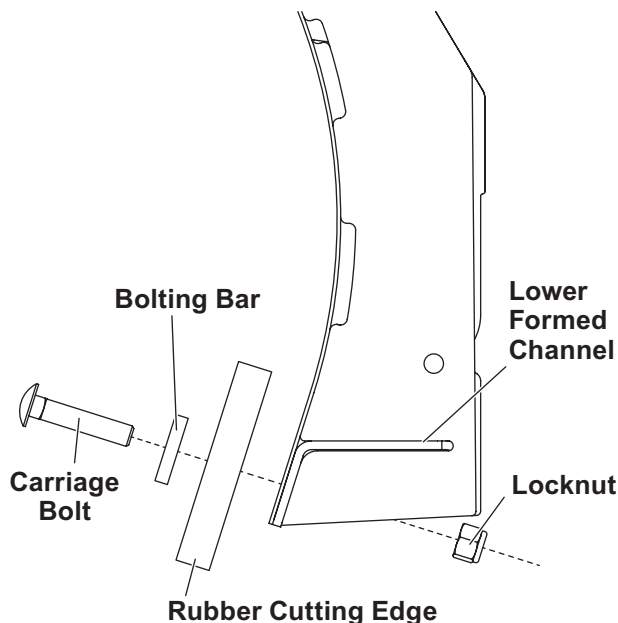
⚠ CAUTION
Read this document before installing the rubber cutting edge.

⚠ CAUTION
Use standard methods and practices when attaching snowplow and installing accessories, including proper personal protective safety equipment.

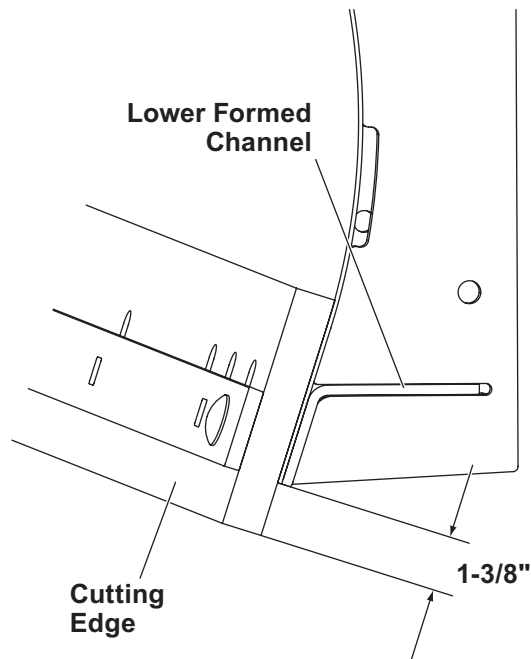
⚠ CAUTION
See your SnowEx® outlet/website for specific vehicle application recommendations before installation. The Power Match selection system has specific vehicle and snowplow requirements.

1. Park the vehicle on a smooth, level, hard surface, such as concrete. Raise the blade, then turn the control OFF. From the side of the blade assembly, place jack stands under the A-frame.
2. Turn the control ON and lower the blade so the A-frame rests securely on the jack stands. Turn the control OFF. Turn the vehicle ignition to the "OFF" position and remove the key.
3. Remove the existing cutting edge and fasteners from the blade.

4. Align the retaining bar on the outside face of the rubber cutting edge. Insert the supplied carriage bolts through the bolting bar, rubber cutting edge and lower formed channel. Attach a locknut to each carriage bolt and hand-tighten.



5. Adjust the position of the rubber cutting edge so that it extends approximately 1-3/8" beyond the bottom of the blade lower formed channel as shown. Tighten all the carriage bolts until the rubber starts to bulge.



6. Turn the vehicle ignition and snowplow control ON. Raise the blade slightly. Turn the control OFF and remove the jack stands.
7. Stand 8 feet clear of the blade, and lower the blade to the ground.
8. Level the A-frame according to the snowplow Installation Instructions or Owner's Manual.

CUTTING EDGE WEAR ADJUSTMENT

1. As the rubber cutting edge wears, loosen the bolts and slide the cutting edge down so that approximately 1-3/8" is again exposed below the lower formed channel. Retighten the bolts until the rubber starts to bulge.
2. When it cannot be adjusted downward any further, reverse the cutting edge and reinstall it with the unworn edge extending approximately 1-3/8" beyond the blade lower formed channel.

Copyright © 2015 Douglas Dynamics, LLC. All rights reserved. This material may not be reproduced or copied, in whole or in part, in any printed, mechanical, electronic, film or other distribution and storage media, without the written consent of TrynEx International, LLC. Authorization to photocopy items for internal or personal use by TrynEx International, LLC outlets or snowplow owner is granted.

TrynEx International, LLC reserves the right under its product improvement policy to change construction or design details and furnish equipment when so altered without reference to illustrations or specifications used. TrynEx International, LLC or the vehicle manufacturer may require or recommend optional equipment for snow removal. Do not exceed vehicle ratings with a snowplow. TrynEx International, LLC offers a limited warranty for all snowplows and accessories. See separately printed page for this important information. The following is a registered (®) trademark of Douglas Dynamics, LLC: SnowEx®.

Printed in U.S.A.
