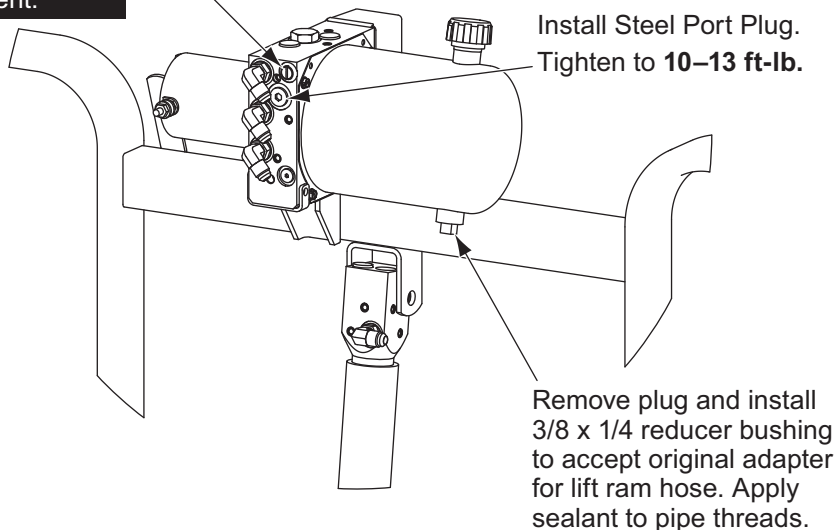


**48601 OR 48602 HYDRAULIC UNIT INSTALLATION INSTRUCTIONS
FOR SNOWPLOWS WITH SQUARE BASE LIFT RAM**

**Blade Drop Speed
Adjustment.**



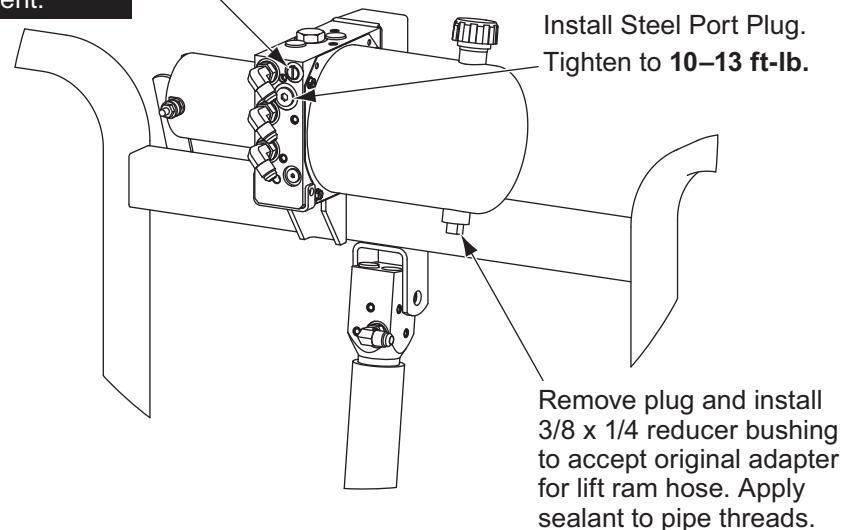
Lit. No. 48616, Rev. 00

Printed in U.S.A.

August 15, 2009

**48601 OR 48602 HYDRAULIC UNIT INSTALLATION INSTRUCTIONS
FOR SNOWPLOWS WITH SQUARE BASE LIFT RAM**

**Blade Drop Speed
Adjustment.**



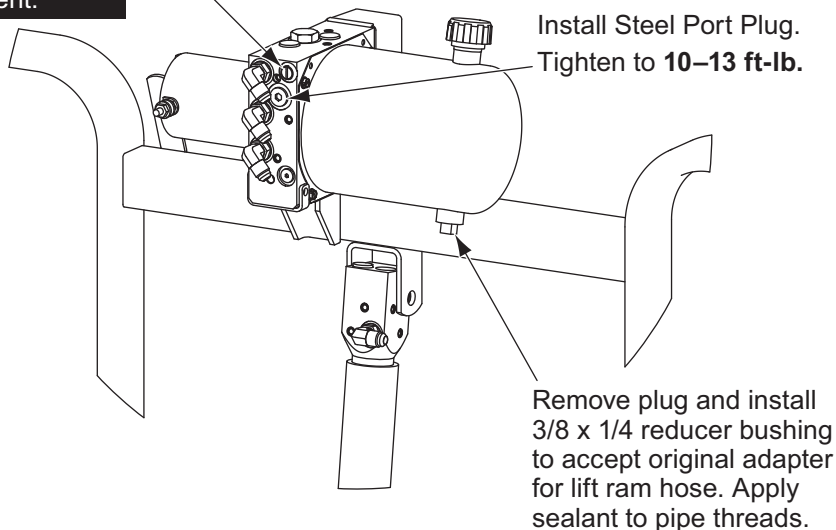
Lit. No. 48616, Rev. 00

Printed in U.S.A.

August 15, 2009

**48601 OR 48602 HYDRAULIC UNIT INSTALLATION INSTRUCTIONS
FOR SNOWPLOWS WITH SQUARE BASE LIFT RAM**

**Blade Drop Speed
Adjustment.**



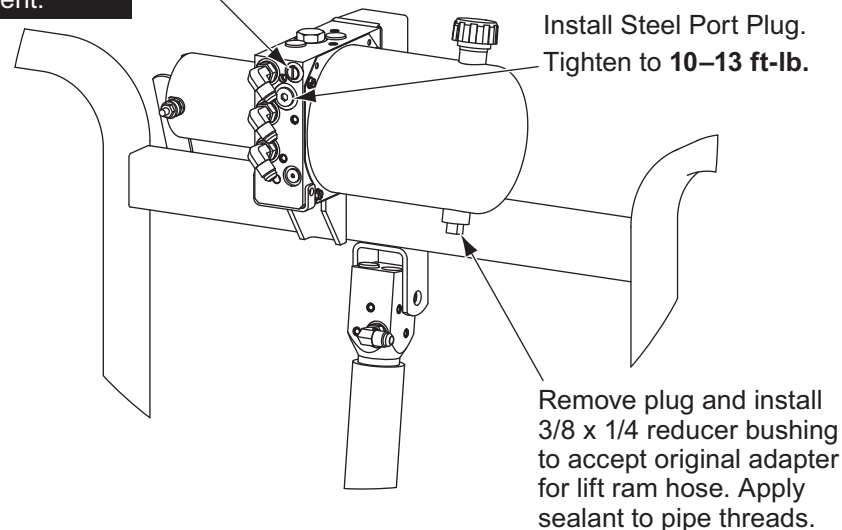
Lit. No. 48616, Rev. 00

Printed in U.S.A.

August 15, 2009

**48601 OR 48602 HYDRAULIC UNIT INSTALLATION INSTRUCTIONS
FOR SNOWPLOWS WITH SQUARE BASE LIFT RAM**

**Blade Drop Speed
Adjustment.**



Lit. No. 48616, Rev. 00

Printed in U.S.A.

August 15, 2009

 A DIVISION OR SUBSIDIARY OF DOUGLAS DYNAMICS, L.L.C.

Lit. No. 48616, Rev. 00

Printed in U.S.A.

August 15, 2009

 A DIVISION OR SUBSIDIARY OF DOUGLAS DYNAMICS, L.L.C.

Lit. No. 48616, Rev. 00

Printed in U.S.A.

August 15, 2009

 A DIVISION OR SUBSIDIARY OF DOUGLAS DYNAMICS, L.L.C.

Lit. No. 48616, Rev. 00

Printed in U.S.A.

August 15, 2009

 A DIVISION OR SUBSIDIARY OF DOUGLAS DYNAMICS, L.L.C.

Lit. No. 48616, Rev. 00

Printed in U.S.A.

August 15, 2009