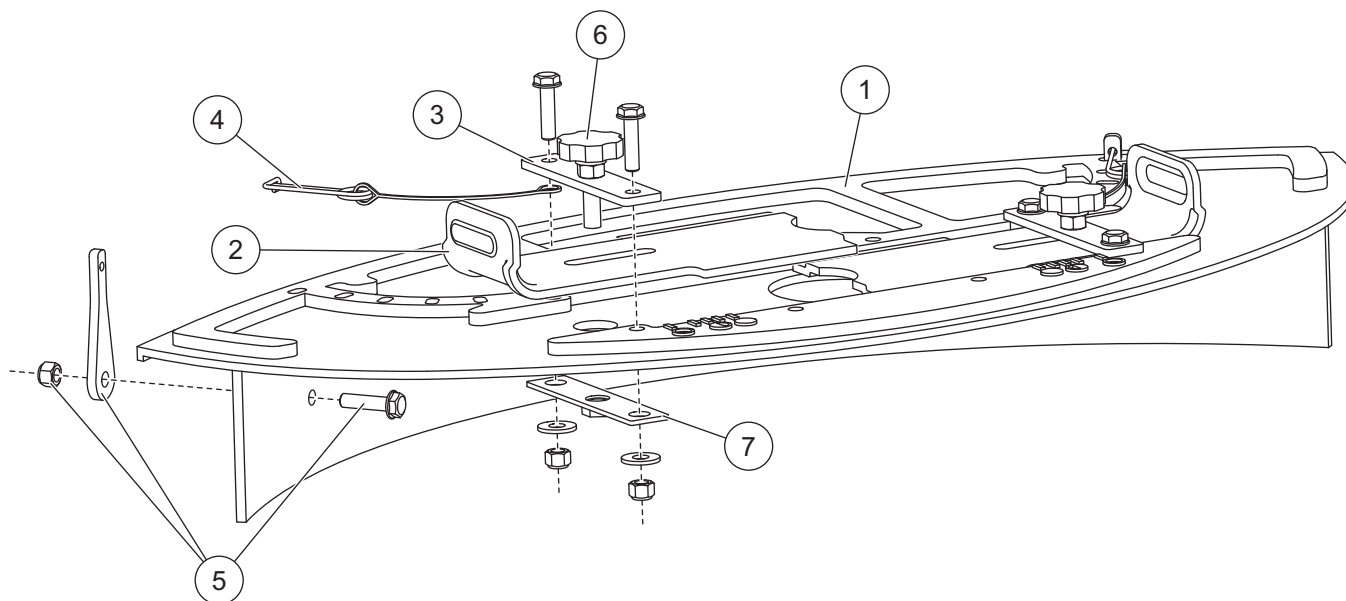


# Baseplate Retrofit Kit

## Model 2500 Tailgate Spreaders

### PARTS LIST



48853 2500 TG Baseplate Retrofit Kit

Item	Part	Qty	Description	Item	Part	Qty	Description
1	48854	1	Bottom Plate – Model 2500	6	48859	2	Control Knob Kit
2	48855	2	Gate	7	48857	2	Weldnut Strap
3	48856	2	Control Strap Poly	ns	96167	1	Bearing
4	48861	2	Lanyard w/Safety Pin	ns	48862	1	Bolt Bag
5	48872	2	Deflector Pin Kit				

ns = not shown

#### **⚠ WARNING**

Do not exceed GVWR or GAWR ratings as found on the driver-side vehicle door cornerpost.

#### **⚠ CAUTION**

Use standard methods and practices when attaching spreader and installing accessories including proper personal protective safety equipment.

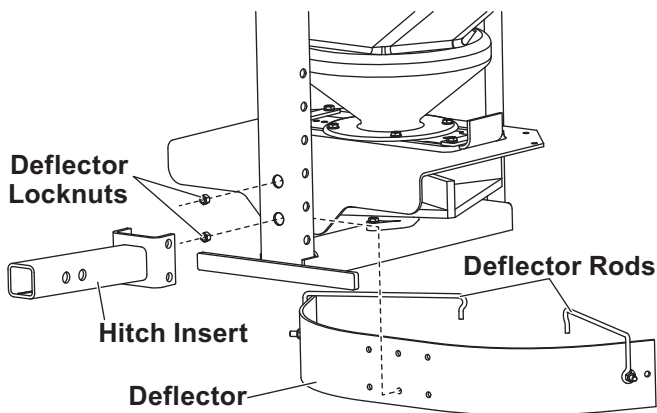
#### **⚠ CAUTION**

Read this document before installing the baseplate retrofit kit.

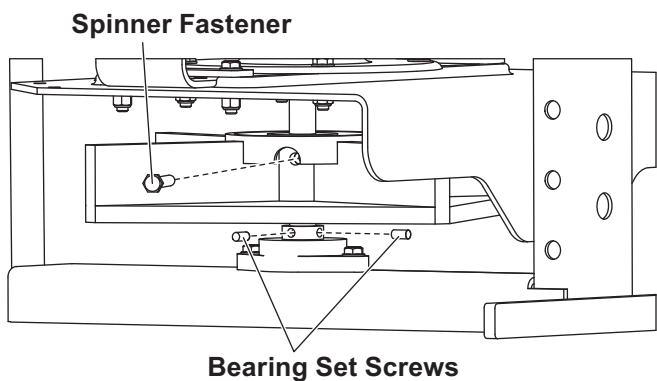
48853

### INSTALLATION INSTRUCTIONS

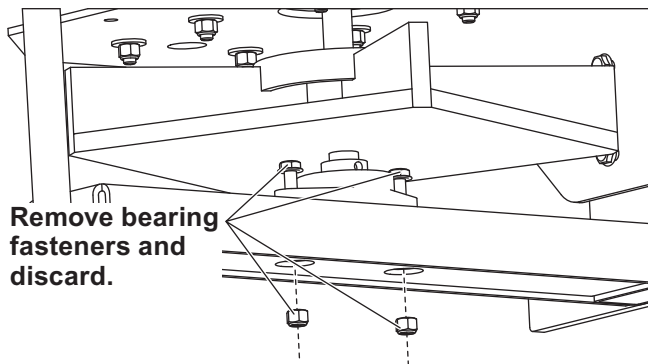
1. Park the vehicle on a smooth, level, hard surface, such as concrete. Turn the vehicle ignition to the "OFF" position and remove the key.
2. Empty all material from the spreader tub and remove the spreader from the truck. Remove the hitch assembly to allow access to the deflector fasteners.
3. Remove and discard the two cap screws and locknuts that attach the center of the deflector to the spreader frame. Remove and discard the deflector and deflector rods.



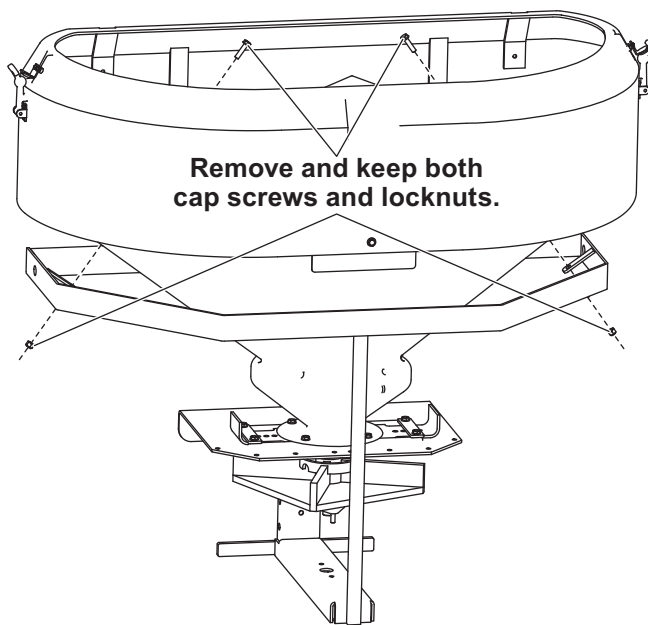
4. Remove and retain the spinner fastener and both bearing set screws.



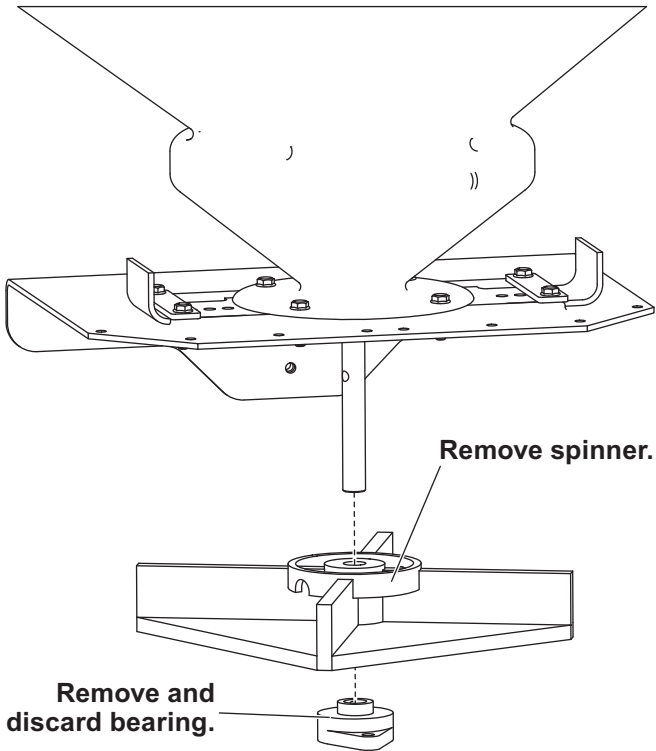
5. Remove and discard the cap screws and locknuts holding the bearing to the frame.



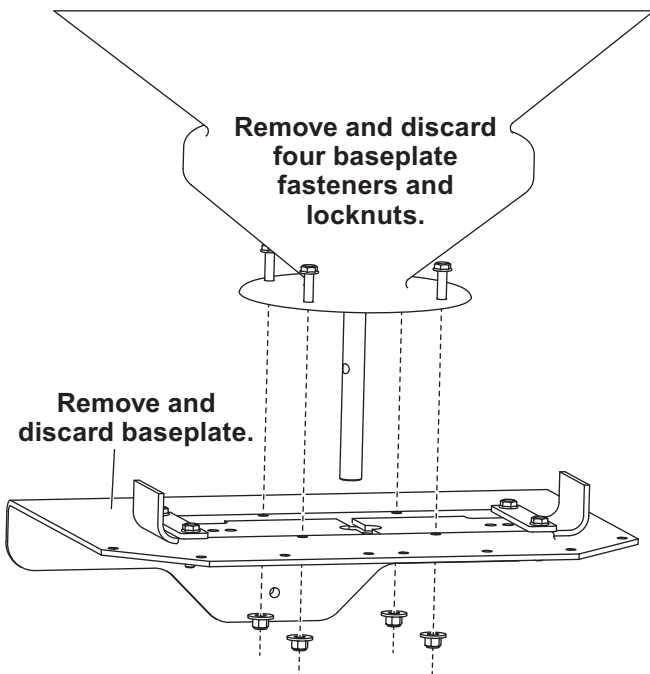
6. Remove and retain the two cap screws and locknuts securing the tub to the frame, and lift the tub off the frame.



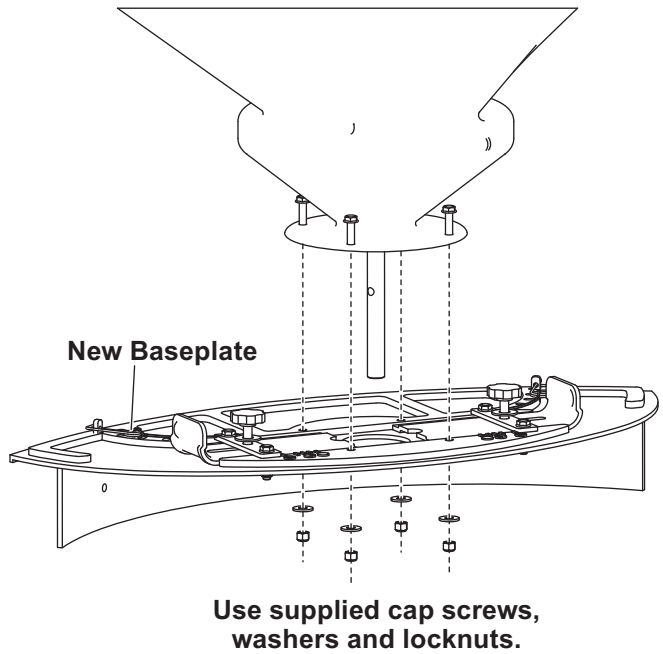
7. Remove the bearing from the spinner shaft and remove the spinner. Discard the bearing.



8. Remove the four fasteners attaching the baseplate to the spreader tub. Remove and discard the baseplate.



9. Place the new baseplate in the same position, and secure it to the tub using the four new cap screws, washers and locknuts included in the bolt bag.



10. Reinstall the spinner and install the new bearing on the spinner shaft. Insert the two new cap screws through the holes in the bearing before reinstalling the tub.
11. Secure the tub to the frame using the original fasteners.
12. Secure the bearing to the frame with two new locknuts. Reinstall the bearing set screws and the spinner fastener removed in Step 4.
13. Secure the center of the deflector to the spreader frame with two new cap screws and locknuts.
14. Reinstall the hitch insert.

Copyright © 2010 Douglas Dynamics, L.L.C. All rights reserved. This material may not be reproduced or copied, in whole or in part, in any printed, mechanical, electronic, film or other distribution and storage media, without the written consent of the company. Authorization to photocopy items for internal or personal use by the company's outlets or spreader owner is granted.

The company reserves the right under its product improvement policy to change construction or design details and furnish equipment when so altered without reference to illustrations or specifications used. This equipment manufacturer or the vehicle manufacturer may require or recommend optional equipment for spreaders. Do not exceed vehicle ratings with a spreader. The company offers a limited warranty for all spreaders and accessories. See separately printed page for this important information.

**Printed in U.S.A.**

---