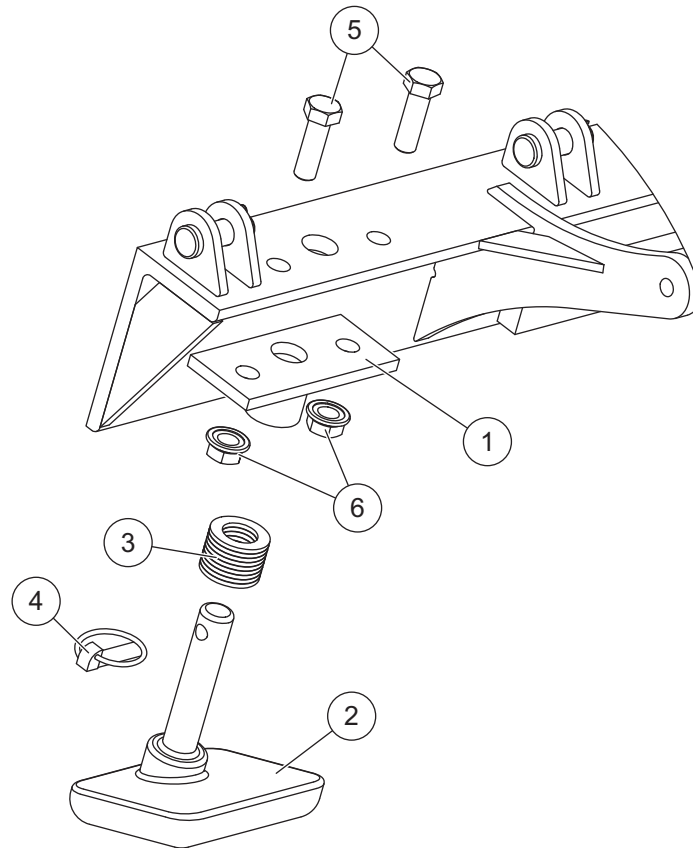




# Shoe Kit

## XLS™, XtremeV™, and XV2™ Snowplows

### PARTS LIST



50700 / 86870 Shoe Kit – XLS, XtremeV, XV2							
Item	Part	Qty	Description	Item	Part	Qty	Description
1	29743	2	Shoe Bracket	3	91192	18	Flat Washer, Special
2	50695	2	Shoe – Rectangle, Solid Cast	4	308K	2	Packet – Linchpin
ns	86884	2	Shoe – High Wear	ns	50697	1	Bolt Bag
50697 Bolt Bag							
5		4	5/8-11 x 2 Hex Cap Screw G5	6		4	5/8-11 Hex Flange Distorted Thread Locknut GG
ns = not shown				G = Grade			

**INSTALLATION INSTRUCTIONS**

**⚠ WARNING**

Do not exceed GVWR or GAWR, including blade and ballast. The rating label is found on the driver-side vehicle door cornerpost.

**⚠ WARNING**

Blade can drop unexpectedly. Place blade on jack stands. Failure to do so could result in serious personal injury.

**⚠ CAUTION**

Read this document before installing the shoe kit.

**⚠ CAUTION**

Use standard methods and practices when attaching snowplow and installing accessories, including proper personal protective safety equipment.

**⚠ CAUTION**

See your FISHER® outlet/website for specific vehicle application recommendations before installation. Shoe kit weight information may be found in the eMatch selection system.

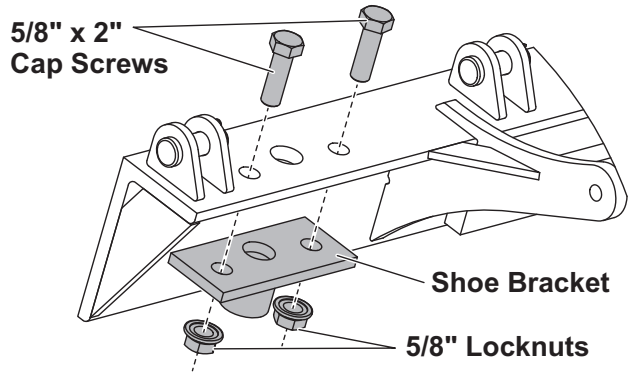
1. Park the vehicle on a smooth, level, hard surface, such as concrete. Raise the blade, then turn the control OFF.
2. From the side of the blade assembly, place jack stands under the T-frame.
3. Turn the control ON and lower the blade onto the jack stands. Turn the control OFF. Turn the vehicle ignition to the "OFF" position and remove the key.

**XV2™ and XLS™ Snowplows with Three Holes in the Base Angle**

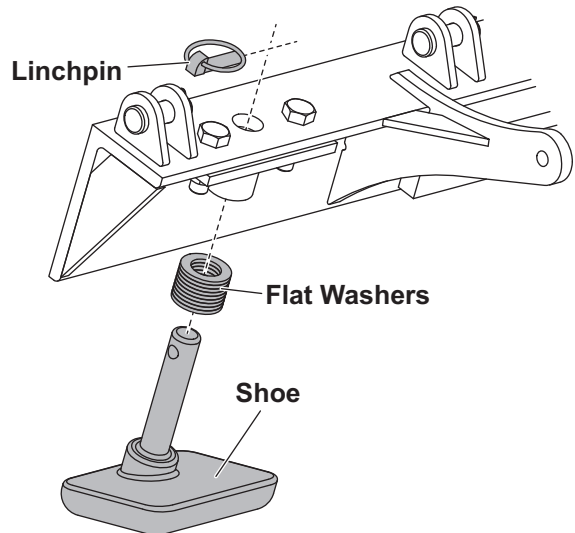
1. Align the shoe bracket holes with the holes in the base angle.

**NOTE: All three holes in the bracket must line up with the three holes in the base angle.**

2. Insert a 5/8" x 2" cap screw down through each of the two outer holes in the base angle and shoe bracket. Attach 5/8" locknuts and tighten to 150 ft-lb.



3. Repeat for the opposite side.
4. Place flat washers on the shoe and insert the shoe up through the center hole in the shoe bracket and base angle. Secure with a linchpin.



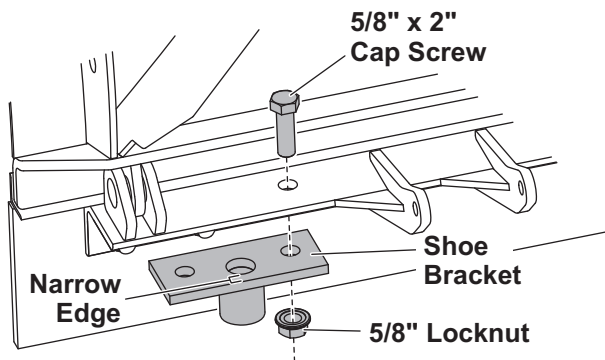
5. Repeat for the opposite side.
6. Turn the vehicle ignition and snowplow control ON. Raise the blade slightly. Turn the control OFF and remove the jack stands.
7. Stand 8 feet clear of the blade, and lower the blade to the ground.

## XtremeV™ Snowplows with One Hole in the Base Angle

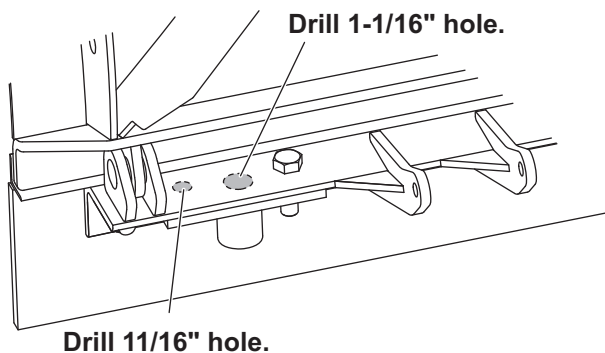
(9.5' XtremeV base angle shown.)

1. Align the innermost hole in the shoe bracket with the existing hole in the base angle. Insert a 5/8" x 2" cap screw down through the hole in the base angle and shoe bracket. Attach a 5/8" locknut and hand tighten.

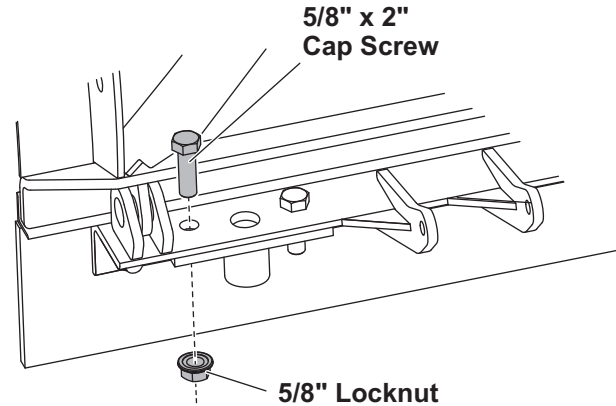
**NOTE: The narrowest edge of the bracket must be facing away from the base angle.**



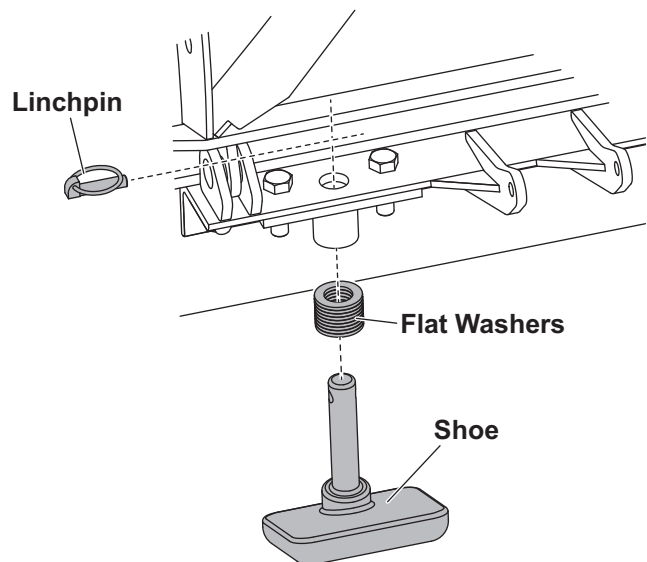
2. Align the edge of the shoe bracket with the edge of the base angle and clamp in place. Using the holes in the bracket as a guide, drill one 1-1/16" hole and one 11/16" hole in the base angle, as shown below.



3. Insert a 5/8" x 2" cap screw down through the outermost hole in the base angle and the shoe bracket. Attach a 5/8" locknut and tighten both fasteners to 150 ft-lb.



4. Repeat for the opposite side.
5. Place flat washers on the shoe and insert the shoe up through the center hole in the shoe bracket and base angle. Secure with a linchpin.



6. Repeat for the opposite side.
7. Turn the vehicle ignition and snowplow control ON. Raise the blade slightly. Turn the control OFF and remove the jack stands.
8. Stand 8 feet clear of the blade, and lower the blade to the ground.

Copyright © 2019 Douglas Dynamics, LLC. All rights reserved. This material may not be reproduced or copied, in whole or in part, in any printed, mechanical, electronic, film, or other distribution and storage media, without the written consent of Fisher Engineering. Authorization to photocopy items for internal or personal use by Fisher Engineering outlets or snowplow owner is granted.

Fisher Engineering reserves the right under its product improvement policy to change construction or design details and furnish equipment when so altered without reference to illustrations or specifications used. Fisher Engineering or the vehicle manufacturer may require or recommend optional equipment for snow removal. Do not exceed vehicle ratings with a snowplow. Fisher Engineering offers a limited warranty for all snowplows and accessories. See separately printed page for this important information. The following are registered (®) or unregistered (™) trademarks of Douglas Dynamics, LLC: FISHER®, XLS™, XtremeV™, XV2™.

**Printed in U.S.A.**

---