



**Light Truck Snowplow**  
**Blade Assembly 77700, 77705**  
**Big Box Assembly 77800**  
**Parts List**





**www.storksplows.com**  
**TABLE OF CONTENTS**

---

**LIGHT TRUCK BLADE ASSEMBLY** ..... 4

**A-FRAME ASSEMBLY** ..... 6

**HEADGEAR ASSEMBLY** ..... 8

**HYDRAULIC AND ELECTRICAL COMPONENTS** ..... 10

    Hydraulic Unit Components ..... 10

    Lift and Angle Ram Components ..... 12

    Hoses and Fittings ..... 12

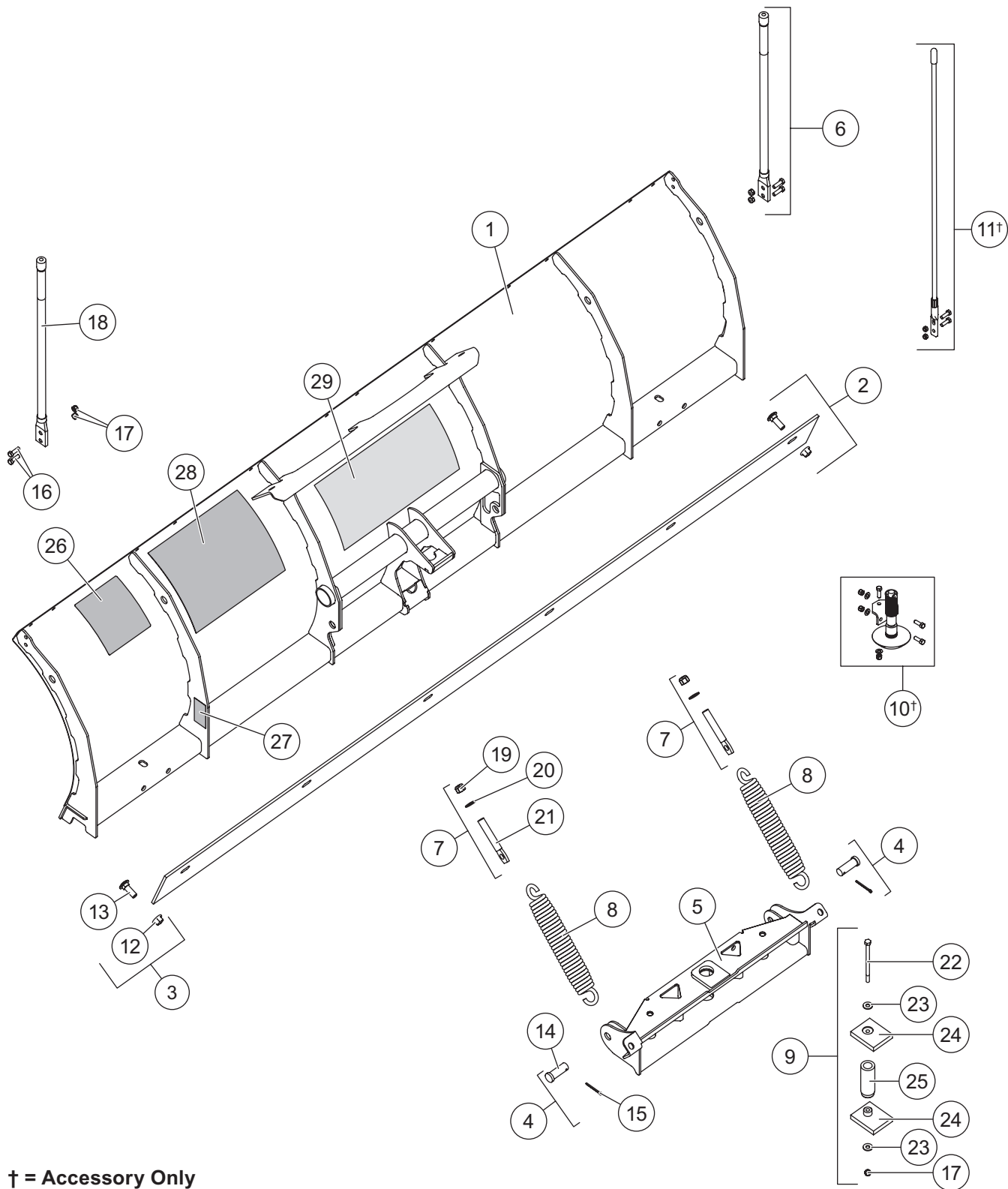
    Electrical Components ..... 13

**VEHICLE-SIDE WIRING DIAGRAM** ..... 14

**HEADLAMP KIT** ..... 15

www.storksplows.com  
LIGHT TRUCK BLADE ASSEMBLY

Blade Components

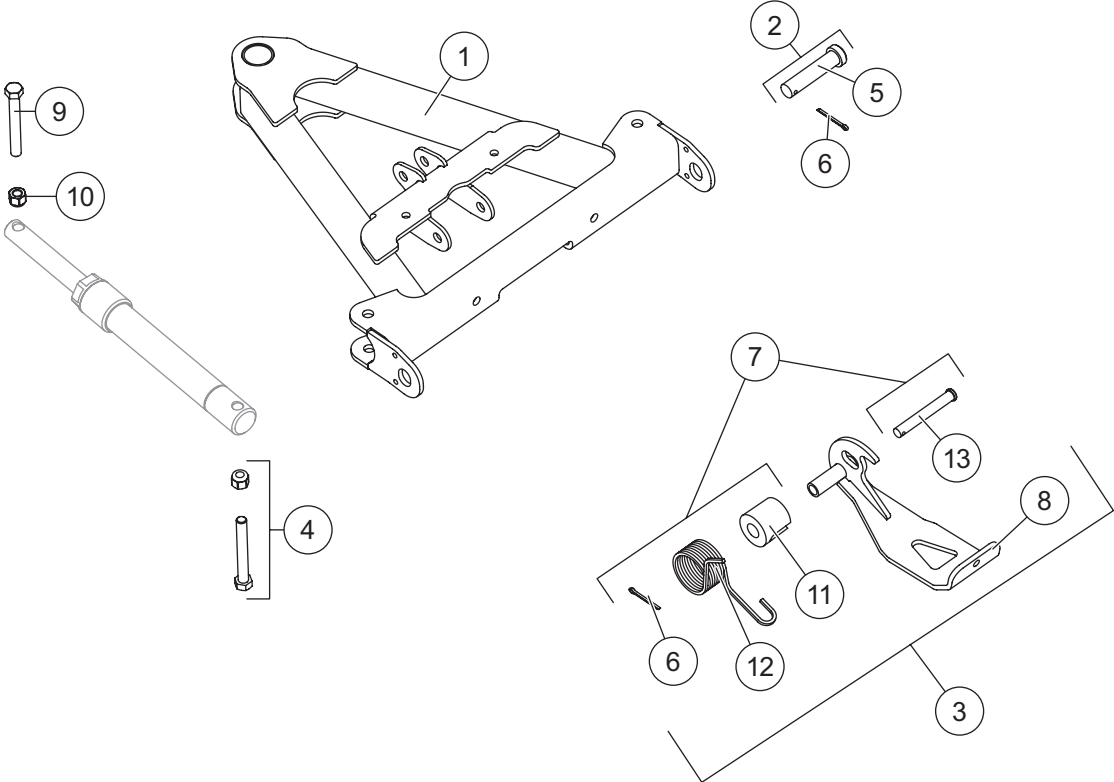


† = Accessory Only

**LIGHT TRUCK BLADE ASSEMBLY**

77700/77705 Blade Components							
Item	Part	Qty	Description	Item	Part	Qty	Description
1	84554	1	6800LT Blade with Labels	7	84702	2	Eyebolt Kit
	84556	1	7200LT Blade with Labels	8	B61167	2	Trip Spring
2	B61458	1	1/4" Steel Cutting Edge Kit – 6800LT	9	84629	1	Center Pivot Bolt Kit
	B61531	1	1/4" Steel Cutting Edge Kit – 7200LT	10†	84506	1	Shoe Kit – HD, RD, LT
3	B61255	1	Cutting Edge Bolt Bag – LT	11†	84477	1	36" Poly Blade Guide Kit
4	84631	2	3/4 x 2 Clevis Pin Kit with Cotter	ns	84640	1	Blade Label Kit – LT
5	84573	1	Quadrant LT	ns†	84524	1	Rubber Deflector Kit – LT
6	84525	1	24" Blade Guide Kit				
<b>Item 2 B61458/B61531 1/4" Steel Cutting Edge Kit</b>							
		1	1/4" Steel Cutting Edge	3	B61255	1	Cutting Edge Bolt Bag
<b>Item 3 B61255 Cutting Edge Bolt Bag</b>							
12		8	1/2-13 Hex Locknut GB	13		8	1/2-13 x 3-1/4 Carriage Bolt G8
<b>Item 4 84631 3/4 x 2 Clevis Pin Kit with Cotter</b>							
14		2	3/4 x 2 Clevis Pin	15		2	5/32 x 1-1/2 Cotter Pin
<b>Item 6 84525 24" Blade Guide Kit</b>							
16		4	5/16-18 x 1 Hex Cap Screw G5	18		2	24" Poly Blade Guide with Label
17		4	5/16-18 Hex Locknut GB				
<b>Item 7 84702 Eyebolt Kit</b>							
19		1	5/8-11 Hex Locknut GB	21		1	5/8-11 x 4 Eyebolt
20		1	5/8 Hardened Flat Washer				
<b>Item 9 84629 Center Pivot Bolt Kit</b>							
17		1	5/16-18 Hex Locknut GB	24	27615	2	Bumper, Personal Plow
22		1	5/16-18 x 5 Hex Cap Screw G5	25		1	Pivot Tube
23		2	5/16 Flat Washer Type A				
<b>84640 Blade Label Kit – LT</b>							
26	59900	1	Label, Warning/Caution, Snowplows	28	52204	1	Label, Automatixx® Attach/Detach
27	29256	1	Label, Foot Crush Warning	29	77701	1	Label, LT Blade Center
ns = not shown		† = Accessory Only				G = Grade	

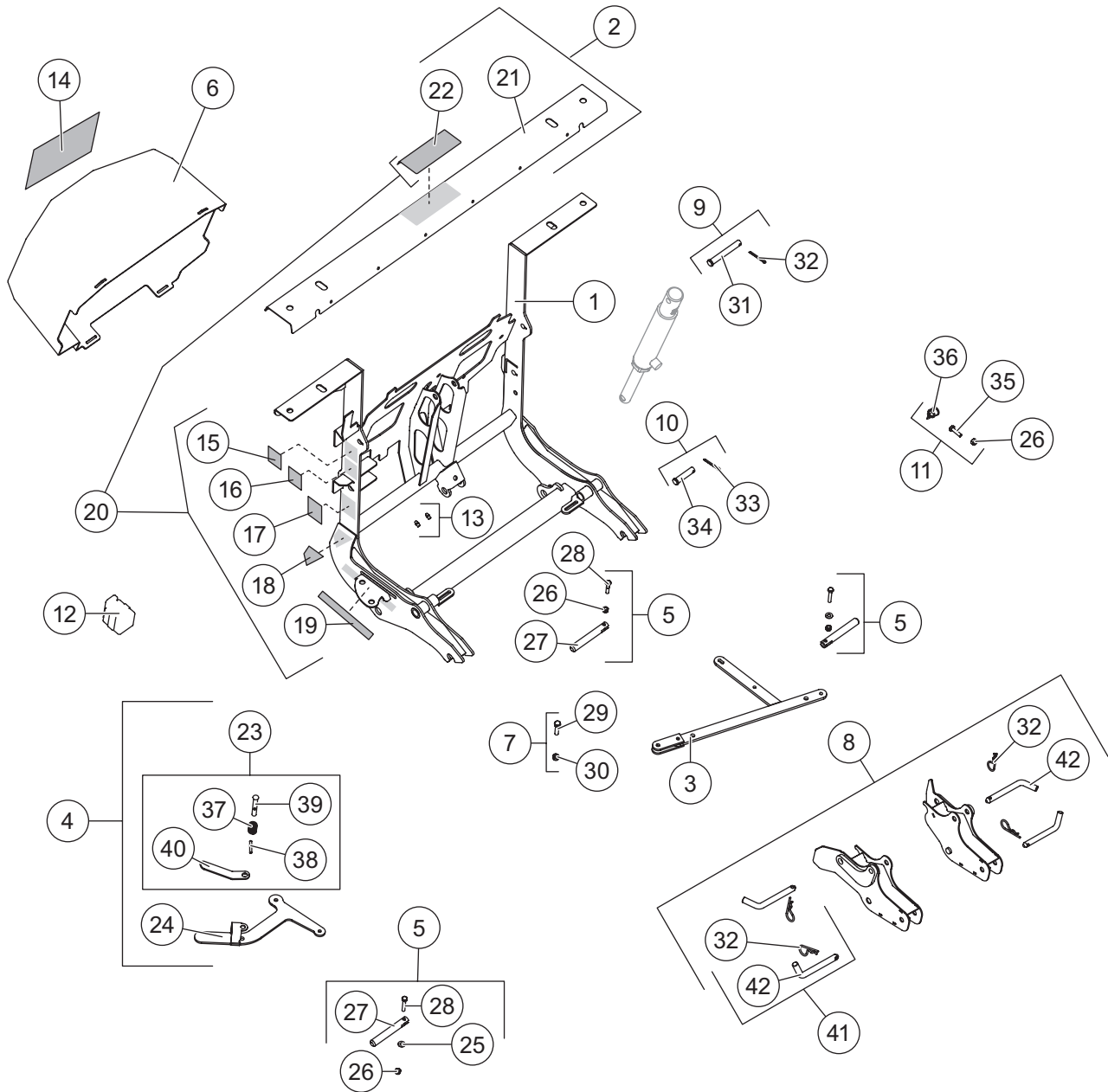
A-Frame Components



**A-FRAME ASSEMBLY**

<b>A-Frame Components</b>							
<b>Item</b>	<b>Part</b>	<b>Qty</b>	<b>Description</b>	<b>Item</b>	<b>Part</b>	<b>Qty</b>	<b>Description</b>
1	84587	1	A-Frame – LT	3	84592	1	Stand Kit – LT
2	84618	2	A-Frame Pin Kit – LT	4	84628	4	Angle Ram Bolt Kit – LT
<b>Item 2</b>				<b>84618 A-Frame Pin Kit – LT</b>			
5		1	3/4 x 3-1/4 Clevis Pin	6		1	5/32 x 1-1/2 Cotter Pin
<b>Item 3</b>				<b>84592 Stand Kit – LT</b>			
7	84615	1	Stand Hardware Kit	8		1	Stand
<b>Item 4</b>				<b>84628 Angle Ram Bolt Kit – LT</b>			
9		1	1/2-13 x 4 Hex Cap Screw G8	10		1	1/2-13 Hex Locknut GB
<b>Item 7</b>				<b>84615 Stand Hardware Kit</b>			
6		1	5/32 x 1-1/2 Cotter Pin	12		1	Stand Torsion Spring
11		1	Stand Spring Spacer	13		1	1/2 x 3-5/8 Clevis Pin
G = Grade							

Headgear Components



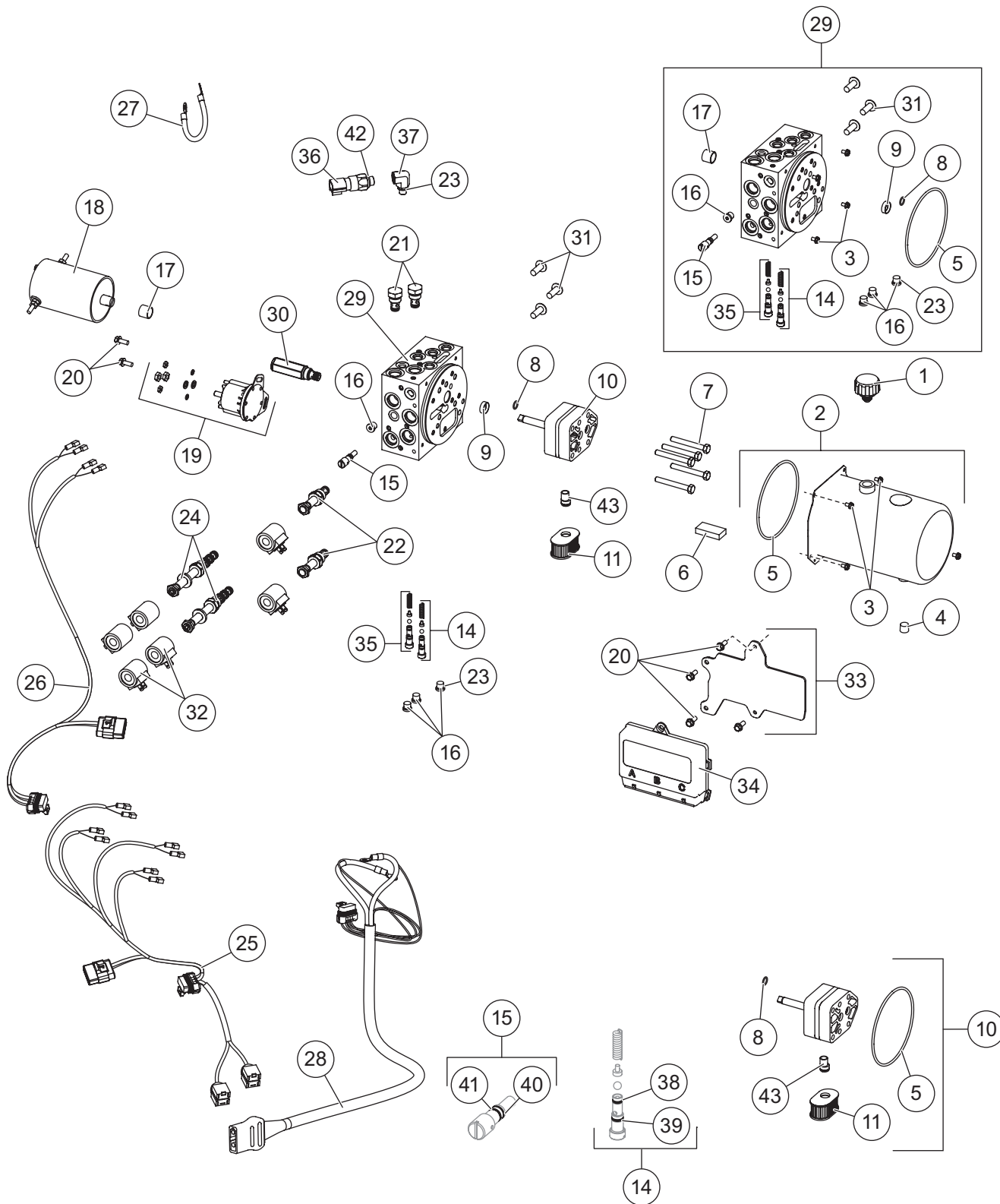


**www.storksplows.com**  
**HEADGEAR ASSEMBLY**

Headgear Components							
Item	Part	Qty	Description	Item	Part	Qty	Description
1	84617	1	Headgear – LT (incl. item 14)	11	84778	1	Clamp Loop Kit
2	84619	1	Light Bar Channel – LT	12	61246	1	Cable Boot
3	84597	1	Link Arm – LT	13	84616	1	Grease Zerk (3-Pack)
4	84594	1	Attach Handle Kit – LT	14	43859	1	Label, Hydraulic Info Straight Blades
5	84602	3	Hitch Pin Kit	15	52206	1	Label, Automatixx® Power Switch
6	84648	1	Hydraulic Cover – LT/RD (incl. item 14)	16	52207	1	Label, Automatixx Operation Switch
7	84635	1	Link Arm/Attach Handle Fastener Kit	17	69689	1	Label, SECURITY GUARD™ Logo
8	84839	1	LT Receiver Kit	18	77717	1	Label, Automatix Upper
9	84626	1	Lift Ram Base Pin Kit	19	77718	1	Label, Automatixx Lower
10	84627	1	Lift Ram Rod Pin Kit	20	84646	1	Headgear Label Kit
<b>Item 2 84619 Light Bar Channel – LT</b>							
21		1	Light Bar	22	84553	1	Label, SnowEx® Light Bar, Center
<b>Item 4 84594 Attach Handle Kit – LT</b>							
23	84596	1	Attach Handle Release Cam Kit	24	84004	1	Handle
<b>Item 5 84602 Attach Pin Kit – LT</b>							
25		1	1/4 Flat Washer	27		1	Hitch Pin
26		1	1/4-20 Hex Locknut GB	28		1	1/4-20 x 1-1/2 Hex Cap Screw SS
<b>Item 7 84635 Link Arm/Attach Handle Fastener Kit</b>							
29		1	5/16-18 x 1-1/4 Hex Cap Screw G5	30		1	5/16-18 Hex Locknut GB
<b>Item 9 84626 Lift Ram Base Pin Kit</b>							
31		1	1/2 x 3-5/8 Clevis Pin	32		1	5/32 x 1-1/2 Cotter Pin
<b>Item 10 84627 Lift Ram Rod Pin Kit</b>							
33		1	5/32 x 1-1/2 Cotter Pin	34		1	1/2 x 2-1/8 Clevis Pin HT
<b>Item 11 84778 Power Cable Clamp Loop Kit</b>							
26		1	1/4-20 Hex Locknut GB	36		1	#10 Clamp Loop
35		1	1/4-20 x 1 Hex Cap Screw G5				
<b>Item 20 84646 Headgear Label Kit</b>							
15	52206	1	Label, Automatixx Power Switch	18	77717	1	Label, Automatix Upper
16	52207	1	Label, Automatixx Operation Switch	19	77718	1	Label, Automatixx Lower
17	69689	1	Label, SECURITY GUARD Logo	22	84553	1	Label, SnowEx Light Bar, Center
<b>Item 23 84596 Attach Handle Release Cam Kit</b>							
37		1	Stand Lock Pin Spring	39		1	Handle Lock Pin
38		1	3/16 x 1-3/8 Roll Pin SS	40		1	Handle Lock Pin Lever
<b>Item 41 84610 Receiver Pin Kit – LT</b>							
32		4	Hairpin Cotter	42		4	1/2 x 4 Hitch Pin
			HT = Heat Treated				G = Grade

# HYDRAULIC AND ELECTRICAL COMPONENTS

## Hydraulic Unit Components



**HYDRAULIC AND ELECTRICAL COMPONENTS**

52650 Hydraulic Unit						
Item	Part	Qty	Description	Item	Part	Qty Description
1	48278	1	Breather	24	52285	2 Valve, 4-Way, 3-Position Closed Center
2	52289	1	Reservoir Kit	25	52108	1 Plow Control Harness, 4-Coil
3	66607	4	10-24 x 5/16 Machine Screw	26	52077	1 Plow Control Harness, 2-Coil
4	92079	1	Plug, Square 3/8 NPTF	27	29071	1 Vehicle Battery Cable 8"
5	66519	1	O-Ring 2-250	28	52291	1 Snowplow Battery Cable
6	73897	1	Magnet	29	52257	1 Manifold Assembly w/o Valves RD/LT
7	90073	5	5/16-18 x 2-1/4 Hex Cap Screw G5	30	42889	1 Relief Valve 4000 psi
8	56274	1	O-Ring -013	31	98043	3 3/8-16 x 1 Button Cap Screw
9*	66515	1	Pump Shaft Seal	32	52294	6 Coil
ns	52252	1	Seal Repair Tool Kit w/Seal	33	52293-1	1 Plate, Module
10	52287	1	Hydraulic Pump Kit	34	52292	1 Module, Plow Control
11	48281	1	Filter	35	52284	1 Relief Valve (1 set)
14	52282	1	Relief Valve (1 set)	36	84838	1 Pressure Switch
15	48517	1	Quill	37	52295	1 Elbow, 90° -4 M ORB/-6 F ORB
16	44344	4	Plug, Hex Socket -4 M ORB	38	55371	2 O-Ring -008
17†	56364	1	Bearing Sleeve	39	25731	2 O-Ring -010
ns	52251	1	Bearing Repair Tool Kit w/Bearing	40	48239	1 O-Ring -106
18	52299	1	Motor	41	48240	1 Back-Up Ring -106
19	52290	1	Motor Relay Kit, FLEET FLEX	42	56569	5 O-Ring -906
20	44355	6	1/4-20 x 5/8 Hex Washer-Head Thread-Rolling Screw	43	10887	1 Inlet Fitting
21	48287	2	Check Valve	ns		3 Fuse, 5-Amp Mini Automotive Blade-Style (for items 25 and 26)
22	48288	2	Valve, 2-Way NC w/Rev Flow			
23	44343	5	O-Ring -904			
O-Ring Service Kits						
-	52298-1	-	O-Ring Kit	-	48310	- Seal Kit, 2-Way Valves
-	48309	-	Seal Kit, 3-Way & 4-Way Valves			
Item 2 52289 Reservoir Kit						
3	66607	4	10-24 x 5/16 Machine Screw	5	66519	1 O-Ring 2-250
4	92079	1	Plug, Square 3/8 NPTF			
Item 29 52257 Manifold Assembly w/o Valves HD						
3	66607	4	10-24 x 5/16 Machine Screw	16	44344	4 Plug, Hex Socket -4 M ORB
5	66519	1	O-Ring 2-250	17	56364	1 Bearing Sleeve
8	56274	1	O-Ring -013	23	44343	5 O-Ring -904
9	66515	1	Pump Shaft Seal	31	98043	3 3/8-16 x 1 Button Cap Screw
14	52282	1	Relief Valve (1 set)	35	52284	1 Relief Valve (1 set)
15	48517	1	Quill			
			ns = not shown	G = Grade		

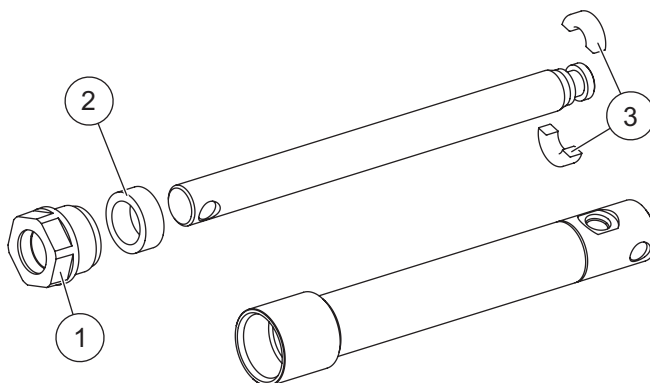
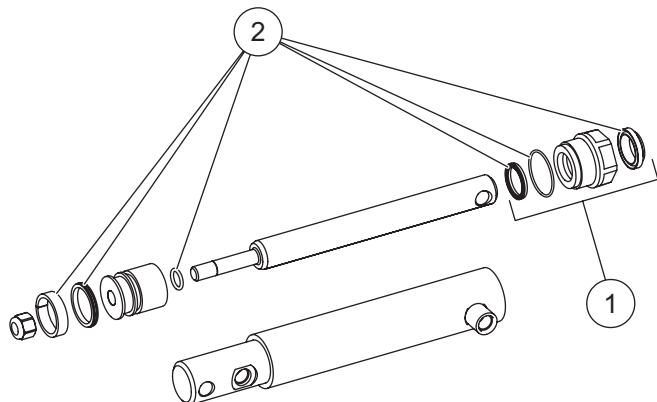
\* Use 52252 tool to install.

† Use 52251 tool to install.

Go to [www.snowexproducts.com](http://www.snowexproducts.com) for hydraulic unit service information and specifications.

HYDRAULIC AND ELECTRICAL COMPONENTS

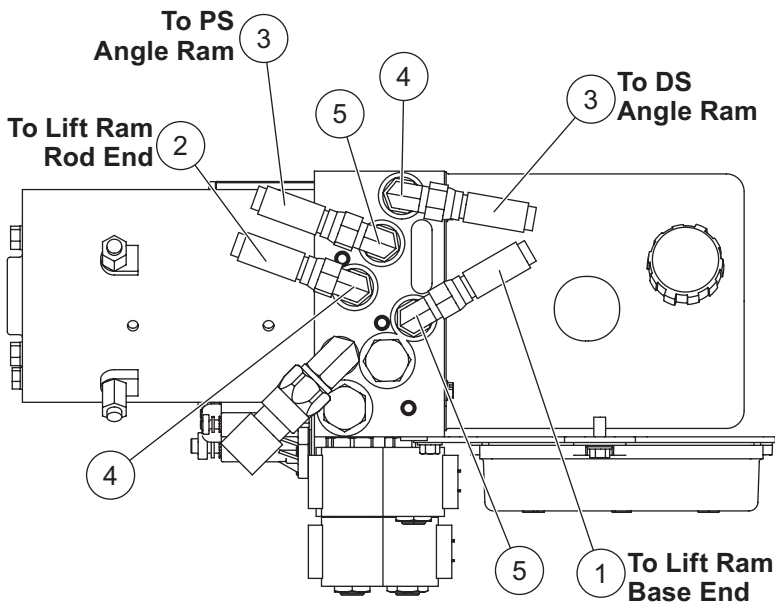
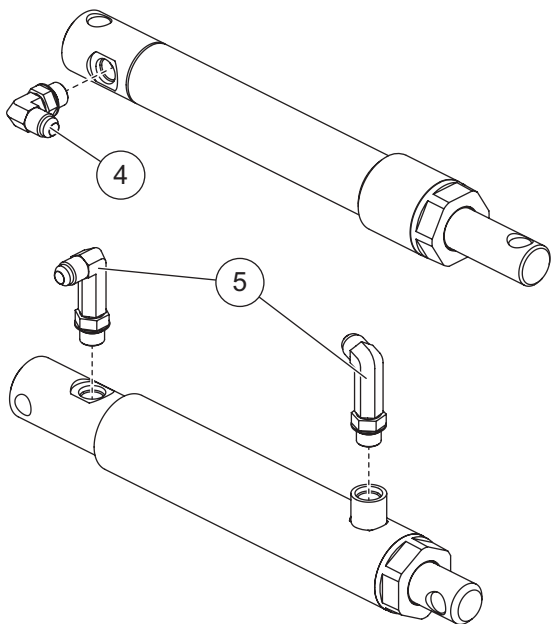
Lift and Angle Ram Components



84430 Lift Ram Assembly 1-1/2 x 6 DA			
Item	Part	Qty	Description
1	52277	1	1" Gland Assembly
2	52302	1	Seal Kit 1-1/2" DA Ram

84426 Angle Ram Assembly 1 x 7			
Item	Part	Qty	Description
1	52277	1	1" Gland Nut Assembly
2	56803	1	Spacer
3	52276	1	1" Split Bearing Kit

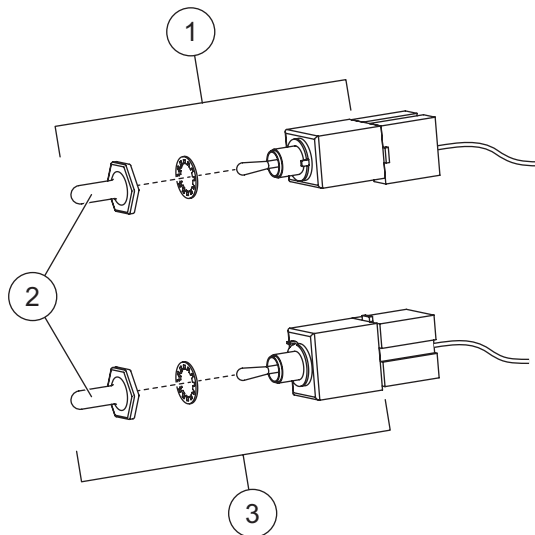
Hoses and Fittings



Hoses and Fittings							
Item	Part	Qty	Description	Item	Part	Qty	Description
1	84446	1	Hose, 1/4 x 14 w/F JIC Ends	5	40572	4	Elbow, Extra Long 90° -6 M JIC/-6 M ORB
2	84453	1	Hose, 1/4 x 20 w/F JIC Ends	ns	56823	1	Hose Wrap
3	52534	2	Hose, 3/8 x 32 w/F JIC Ends				
4	40571	4	Elbow, 90° -6 M JIC/-6 M ORB				
F = Female				ns = not shown		M = Male or Metric	

HYDRAULIC AND ELECTRICAL COMPONENTS

Electrical Components

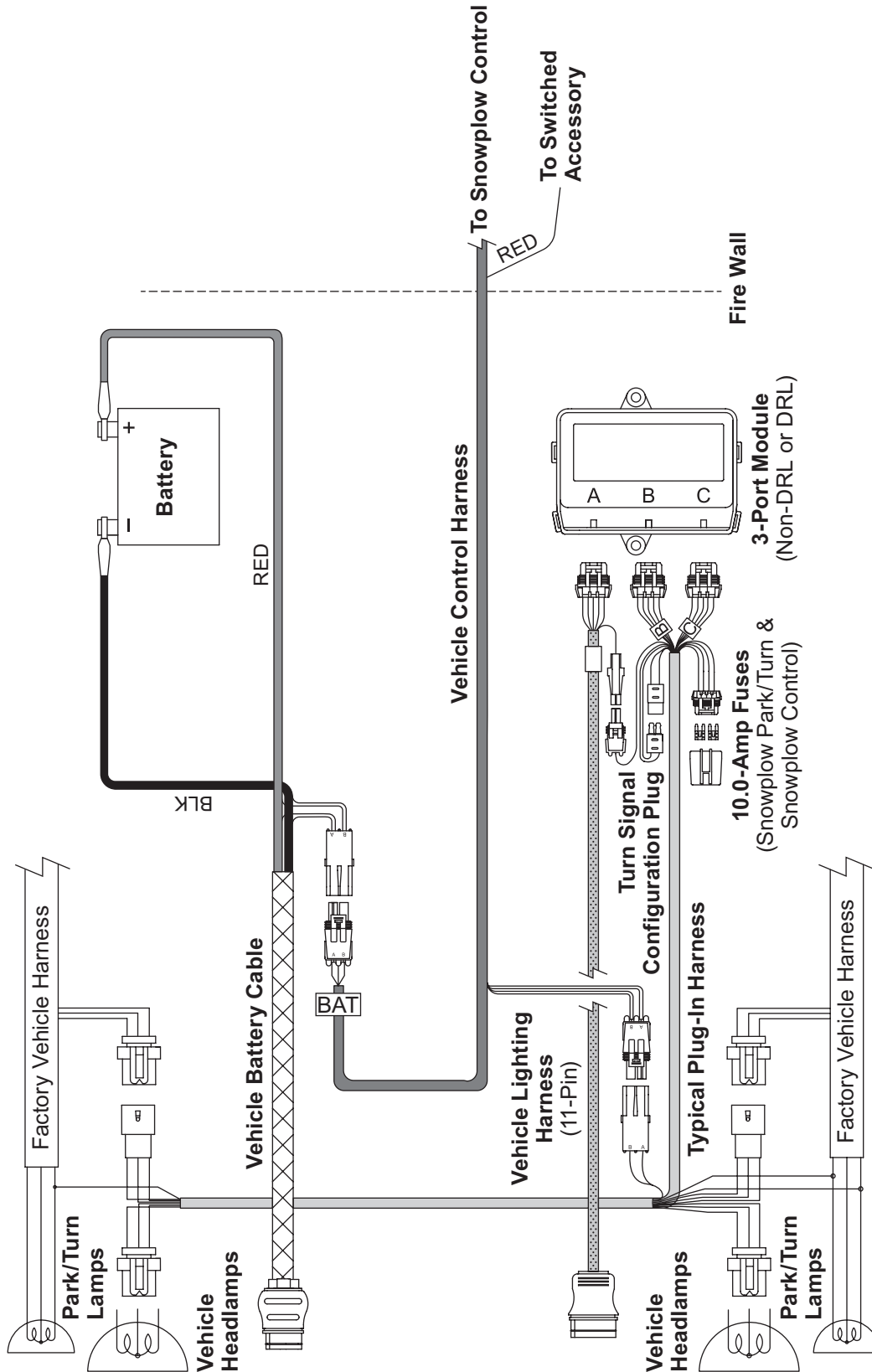


Plow-Side Electrical Components							
Item	Part	Qty	Description	Item	Part	Qty	Description
1	40575	1	Toggle Switch (MOM-ON, OFF, ON)	3	40576	1	Toggle Switch (MOM-ON, OFF, MOM-ON)
2	48259	2	Switch Boot				
Vehicle-Side Electrical Components							
*	42014	1	Vehicle Battery Cable	ns	48325	2	Plug Cover
*	28587	1	Vehicle Control Harness				
ns = not shown							

\* For diagram see Vehicle-Side Harness Diagram.

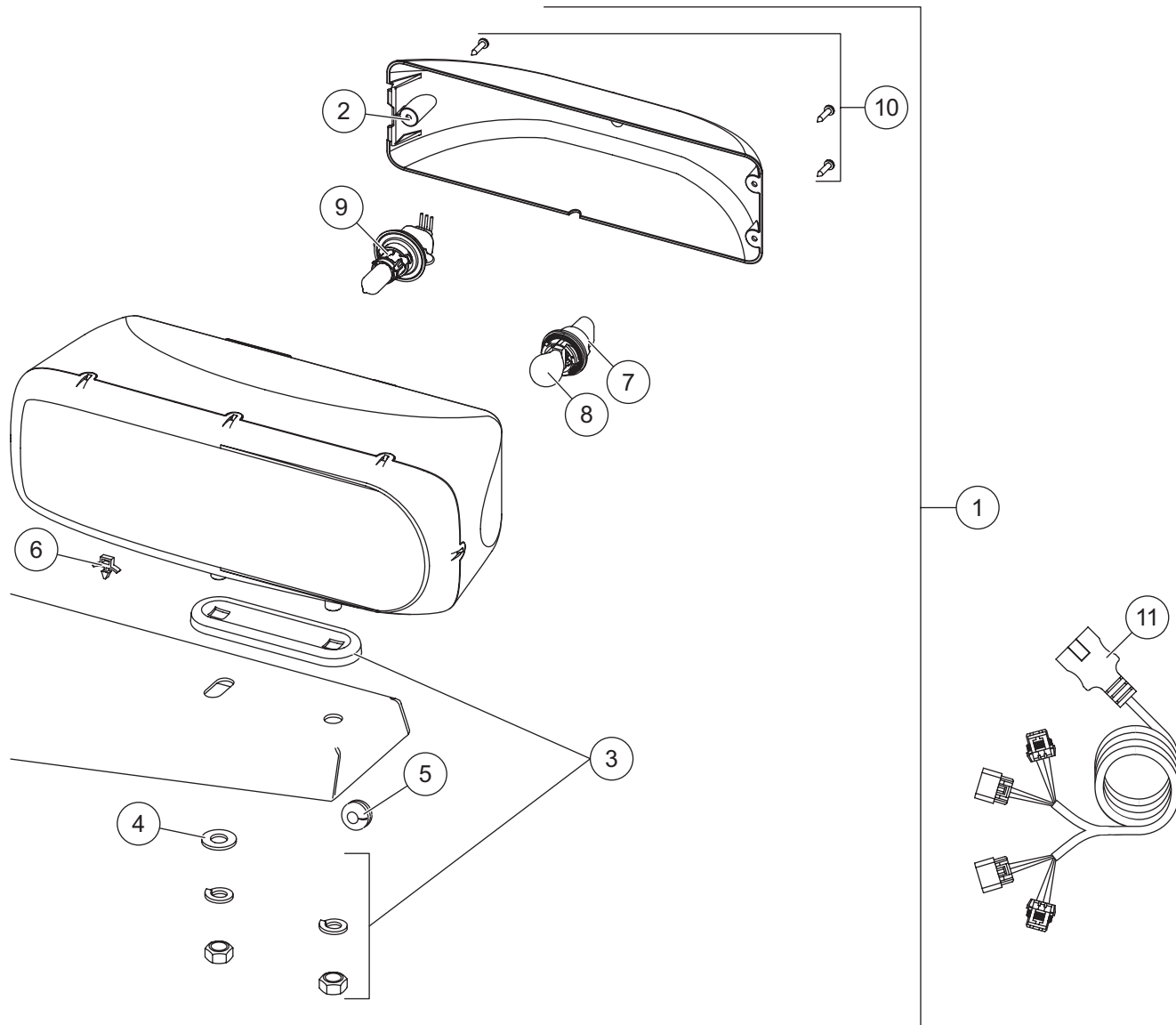
# VEHICLE-SIDE HARNESS DIAGRAM

Vehicle-Side Harness Diagram



# HEADLAMP KIT

## Headlamp Kit



**28800-1 Headlamp Kit (Pair)**

Item	Part	Qty	Description	Item	Part	Qty	Description
1	28801-1	1	Headlamp Service Kit – DS	6	56595	6	Cable Tie Anchor
ns	28802-1	1	Headlamp Service Kit – PS	7	28805	2	Park/Turn Socket Service Kit
2	28803-1	2	Rear Cover Kit (fits 2- or 3-screw)	8		2	Park/Turn Bulb (trade no. 4157NAK)
3	28804	2	Mounting Hardware Kit	9	28806	2	H13 Headlamp Bulb Service Kit
4	91105	2	1/2 Flat Washer	10	28808-1	2	Cover Screws Service Kit (3 screws)
5	66130	2	Rubber Grommet	11	28213K	1	Harness Service Kit

ns = not shown



TrynEx International, LLC  
531 Ajax Drive  
Madison Heights, MI 48071-2429  
[www.snowexproducts.com](http://www.snowexproducts.com)

 A DIVISION OF DOUGLAS DYNAMICS, LLC

Copyright © 2016 Douglas Dynamics, LLC. All rights reserved. This material may not be reproduced or copied, in whole or in part, in any printed, mechanical, electronic, film or other distribution and storage media, without the written consent of TrynEx International, LLC. Authorization to photocopy items for internal or personal use by TrynEx International, LLC outlets or snowplow owner is granted.

TrynEx International, LLC reserves the right under its product improvement policy to change construction or design details and furnish equipment when so altered without reference to illustrations or specifications used. TrynEx International, LLC or the vehicle manufacturer may require or recommend optional equipment for snow removal. Do not exceed vehicle ratings with a snowplow. TrynEx International, LLC offers a limited warranty for all snowplows and accessories. See separately printed page for this important information. The following are registered (®) or unregistered (™) trademarks of Douglas Dynamics, LLC: Automatix®, SECURITY GUARD™, SnowEx®.

**Printed in U.S.A.**

---