



7600, 8000
Regular Duty Snowplow
Blade Assembly 77710 & 77715
Big Box Assembly 77810
Parts List



www.storksplows.com
TABLE OF CONTENTS

REGULAR DUTY BLADE ASSEMBLY 4

A-FRAME AND HEADGEAR ASSEMBLY 6

 A-Frame Components 6

 Headgear Components..... 8

HYDRAULIC AND ELECTRICAL COMPONENTS 10

 Hydraulic Unit Components 10

 Lift and Angle Rams 12

 Hoses and Fittings 12

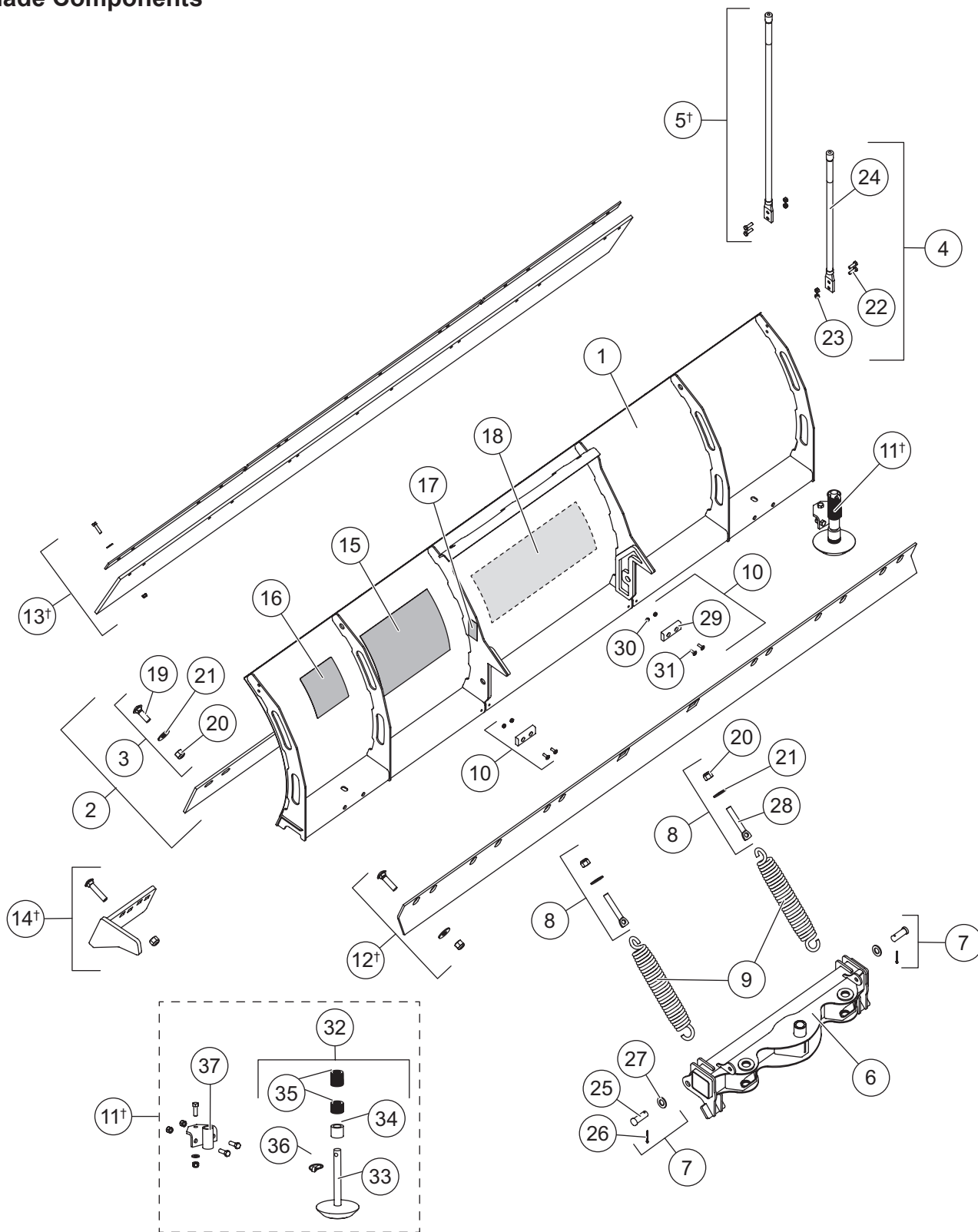
 Electrical Components..... 13

VEHICLE-SIDE HARNESS DIAGRAM..... 14

HEADLAMPS 15

www.storksplows.com
REGULAR DUTY BLADE ASSEMBLY

Blade Components



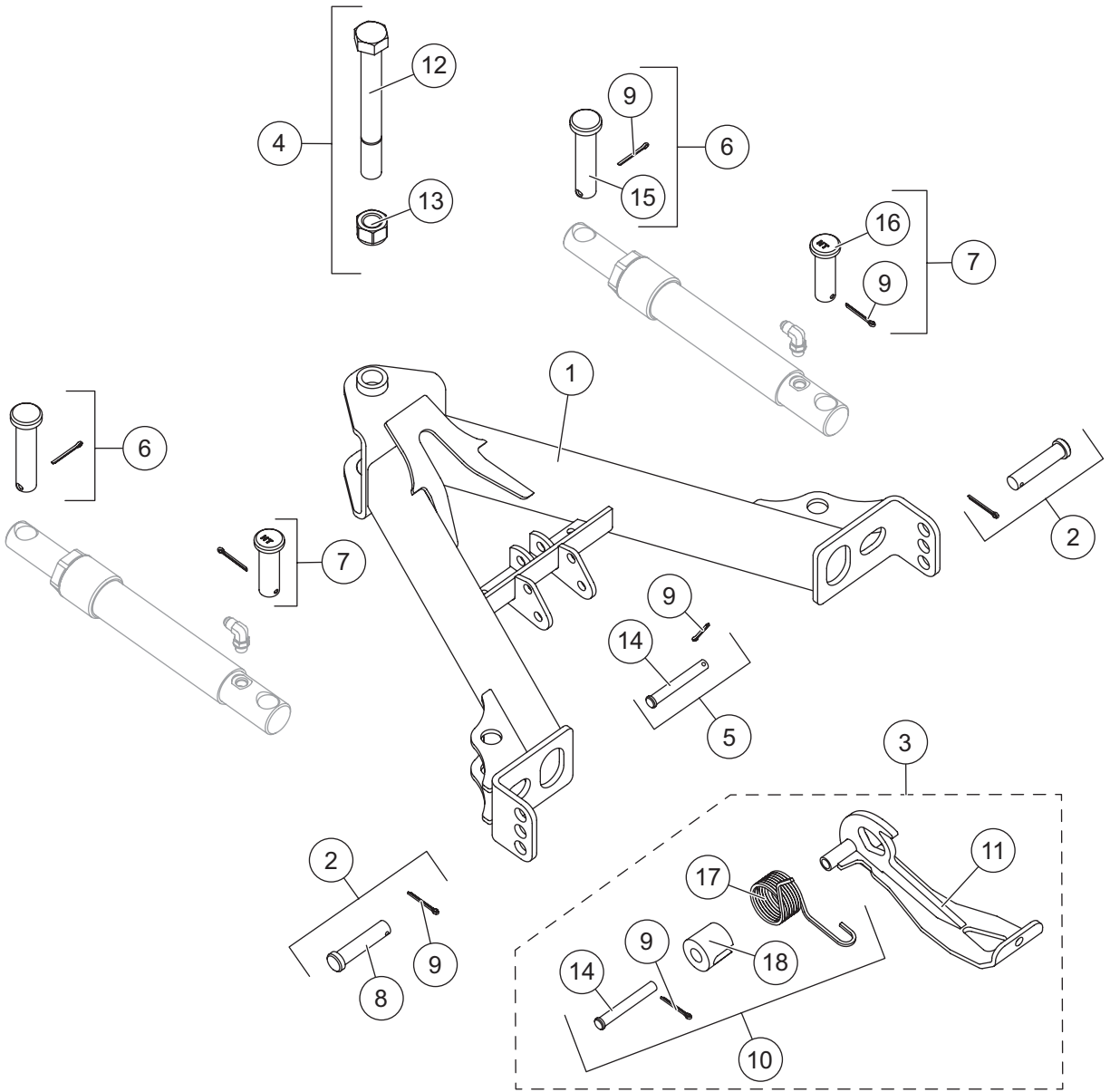
REGULAR DUTY BLADE ASSEMBLY

77710/77715 Blade Assembly							
Item	Part	Qty	Description	Item	Part	Qty	Description
1	84557	1	7600RD Blade with Labels	9	23039	2	Trip Spring
	84558	1	8000RD Blade with Labels	10	63976	2	Push Stop Kit
2	84445	1	5/16" Cutting Edge Kit – 7600RD	11†	84506	1	Shoe Assembly Kit
	84467	1	5/16" Cutting Edge Kit – 8000RD	12†	84463	1	Back Drag Edge – 7.5'
ns†	42417	1	3/8" Cutting Edge Kit – 7600RD		84464	1	Back Drag Edge – 8'
	40552	1	3/8" Cutting Edge Kit – 8000RD	13†	84514	1	Rubber Deflector Kit – 7.5'
ns†	40695	1	1/2" Cutting Edge Kit – 7600RD		84517	1	Rubber Deflector Kit – 8'
	40696	1	1/2" Cutting Edge Kit – 8000RD	14†	43885	1	Curb Guard Kit
3	69425	1	Cutting Edge Kit Bolt Bag	15	52203	1	Label – Automatixx™ Attach/Detach
4	84525	1	24" Blade Guide Kit	16	59900	1	Label – Warning/Caution, Snowplows
5†	84477	1	36" Poly Blade Guide Kit	17	29256	2	Label – Foot Crush Warning
6	84574	1	Quadrant – RD	18	77702	1	Label – RD Blade Center
7	84631	2	3/4 x 2 Clevis Pin Kit w/Cotter	ns	84641	1	Blade Label Kit RD
8	84702	2	Eyebolt Kit				
Item 2 84445/84467 5/16" Steel Cutting Edge Kit							
	1	1	5/16 Steel Cutting Edge	3	69425	1	Cutting Edge Bolt Bag
Item 3 69425 Cutting Edge Bolt Bag							
19		10	5/8-11 x 2 Carriage Bolt G5	21	90576	10	5/8 Hardened Flat Washer
20		10	5/8-11 Hex Locknut GB				
Item 4 84525 24" Blade Guide Kit							
22		4	5/16-18 x 1 Hex Cap Screw G5	24		2	24" Poly Blade Guide with Label
23		4	5/16-18 Hex Locknut GB				
Item 7 84631 3/4 x 2 Clevis Pin Kit w/Cotter							
25		1	3/4 x 2 Clevis Pin	27		1	3/4 Flat Washer
26		1	5/32 x 1-1/2 Cotter Pin				
Item 8 84702 Eyebolt Kit							
20		1	5/8-11 Hex Locknut GB	28		1	5/8-11 x 4 Eyebolt
21		1	5/8 Hardened Flat Washer				
Item 10 63976 Push Stop Kit							
29		1	Bumper	31		2	1/4-20 x 3/4 Button Cap Screw w/Flange Hex Socket
30		2	1/4-20 Hex Locknut				
Item 11† 84506 Shoe Assembly Kit							
32	42301	2	Disc Shoe Assembly	36	93010	2	7/16 x 1-3/4 Linchpin
33	60217	2	Disc Shoe	37	84736	2	Shoe Bracket
34	60045	2	Spacer	ns	84732	1	Bolt Bag
35	91192	52	Round Flat Washer, Special				
ns 84641 Blade Label Kit							
15	52203	1	Label, Automatixx Attach/Detach	17	29256	1	Label, Foot Crush Warning
16	59900	1	Label, Warning/Caution, Snowplows	18	77703	1	Label, HD Blade Center
ns = not shown				G = Grade			

† = Accessory Only

www.storksplows.com
REGULAR DUTY A-FRAME ASSEMBLY

A- Frame Components

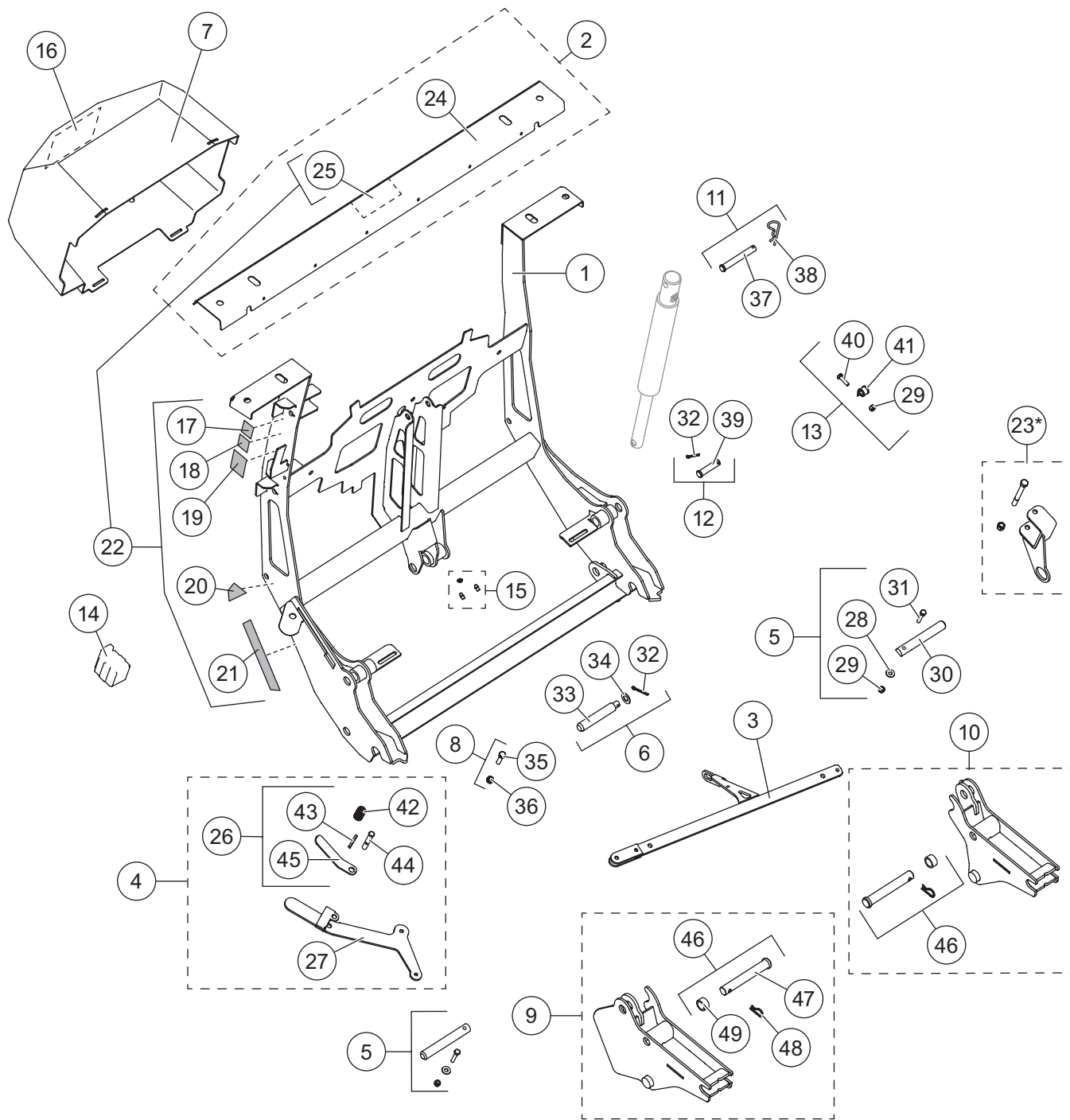


REGULAR DUTY A-FRAME ASSEMBLY

A-Frame Components							
Item	Part	Qty	Description	Item	Part	Qty	Description
1	84588	1	A-Frame – RD	6	84633	2	1 x 4-3/4 Clevis Pin Kit – Angle Ram Rod End
2	84618	2	A-Frame Pin Kit – RD				
3	84593	1	Stand Kit	7	84634	2	1 x 3-1/4 Clevis Pin Kit – Angle Ram Base End
4	69494	1	Pivot Bolt Kit				
5	84454	1	1/2 x 3-5/8 Clevis Pin Kit w/Cotter				
Item 2				84618 A-Frame Pin Kit – RD			
8		1	3/4 x 3-1/4 Clevis Pin	9		1	5/32 x 1-1/2 Cotter Pin
Item 3				84593 Stand Kit			
10	84615	1	Stand Hardware Kit	11		1	Stand
Item 4				69494 Pivot Bolt Kit			
12		1	1-8 x 9 Hex Cap Screw Special G5	13		1	1-8 Locknut GB
Item 5				84454 1/2 x 3-5/8 Clevis Pin Kit			
9		1	5/32 x 1-1/2 Cotter Pin	14		1	1/2 x 3-5/8 Clevis Pin
Item 6				84633 1 x 4-3/4 Clevis Pin Kit – Angle Ram Rod End			
9		1	5/32 x 1-1/2 Cotter Pin	15		1	1 x 4-3/4 Clevis Pin
Item 7				84634 1 x 3-1/4 Clevis Pin Kit – Angle Ram Base End			
9		1	5/32 x 1-1/2 Cotter Pin	16		1	1 x 3-1/4 Clevis Pin G5
Item 10				84615 Stand Hardware Kit			
9		1	5/32 x 1-1/2 Cotter Pin	17		1	Stand Torsion Spring
14		1	1/2 x 3-5/8 Clevis Pin	18		1	Stand Spring Spacer
G = Grade							

REGULAR DUTY HEADGEAR COMPONENTS

Headgear Components



* For use only on headgear without a welded reinforcement gusset for the stand pin bushing.

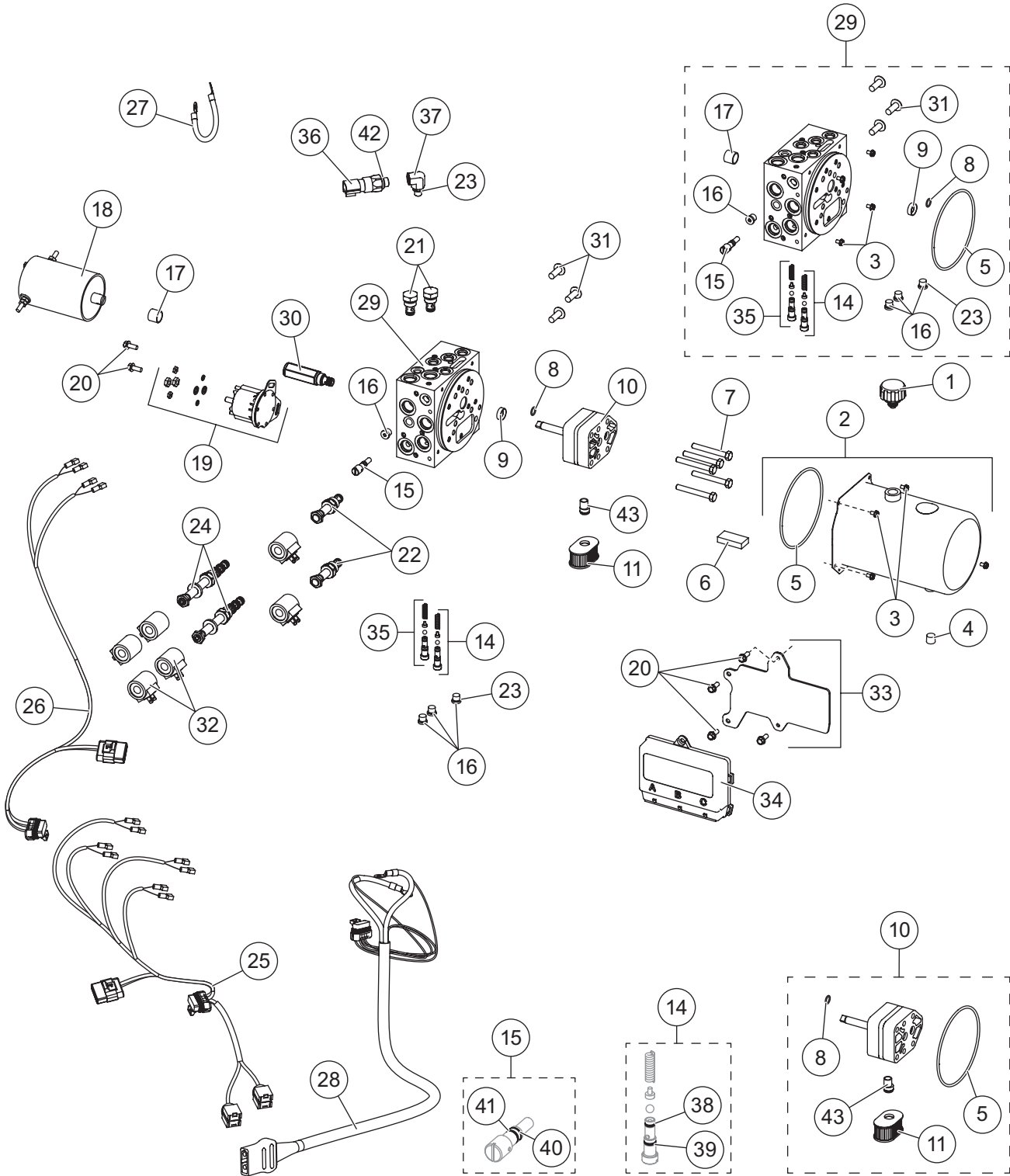
REGULAR DUTY HEADGEAR COMPONENTS

RD Headgear Components							
Item	Part	Qty	Description	Item	Part	Qty	Description
1	84620	1	Headgear – RD (incl. item 15)	13	84778	1	Power Cable Clamp Loop Kit
2	84619	1	Light Bar Channel – RD	14	61246	1	Cable Boot
3	84598	1	Link Arm – RD	15	84616	1	Grease Zerk (3-Pack)
4	84794	1	Attach Handle Kit – RD	16	43859	1	Label – Hydraulic Info Straight Blades
5	84603	2	Attach Pin Kit	17	52206	1	Label – Automatixx® Power Switch
6	84601	1	Link Arm Jack Stand Pin Kit	18	52207	1	Label – Automatixx Operation Switch
7	84648	1	Hydraulic Cover – RD (incl. item 15)	19	69689	1	Label – SECURITY GUARD™ Logo
8	84635	1	Link Arm/Attach Handle Fastener Kit	20	77717	1	Label – Automatixx, Upper
9	84606	1	RD Receiver Kit, DS (incl. item 46)	21	77718	1	Label – Automatixx, Lower
10	84607	1	RD Receiver Kit, PS (incl. item 46)	22	84456	1	Headgear Label Kit – RD
11	84632	1	Lift Ram Base Pin Kit	23*	84790	–	Stand Pin Support Kit
12	84626	1	Lift Ram Rod Pin Kit				
Item 2 84619 Light Bar Channel – RD							
24		1	Light Bar	25	84553	1	Label – SnowEx Light Bar, Center RD
Item 4 84794 Attach Handle Kit – RD							
26	84596	1	Attach Handle Release Cam Kit	27	84457	1	Handle
Item 5 84603 Attach Pin Kit							
28		1	1/4 Flat Washer	30		1	Hitch Pin
29		1	1/4-20 Hex Locknut GB	31		1	1/4-20 x 1-1/2 Hex Cap Screw SS
Item 6 84601 Link Arm Jack Stand Pin Kit							
32		1	5/32 x 1-1/2 Cotter Pin	34		1	1/2 Flat Washer Type B Narrow SS
33		1	Stand Actuator Pin				
Item 8 84635 Link Arm/Attach Handle Fastener Kit							
35		1	5/16-18 x 1-1/4 Hex Cap Screw G5	36		1	5/16-18 Hex Locknut GB
Item 11 84632 Lift Ram Base Pin Kit							
37	84401	1	5/8 x 4-1/4 Clevis Pin	38		1	1/8 Hairpin Cotter
Item 12 84626 Lift Ram Rod Pin Kit							
32		1	5/32 x 1-1/2 Cotter Pin	39	84403	1	1/2 x 3-5/8 Clevis Pin
Item 13 84778 Power Cable Clamp Loop Kit							
29		1	1/4-20 Hex Locknut GB	41	65340	1	#10 Clamp Loop
40		1	1/4-20 x 1 Hex Cap Screw G5				
Item 22 84456 Headgear Label Kit – RD							
17	52206	1	Label – Automatixx Power Switch	20	77717	1	Label – Automatixx, Upper
18	52207	1	Label – Automatixx Operation Switch	21	77718	1	Label – Automatixx, Lower RD
19	69689	1	Label – SECURITY GUARD Logo	25	84553	1	Label – SnowEx Light Bar, Center RD
Item 26 84596 Attach Handle Release Cam Kit							
42		1	Stand Lock Pin Spring	44		1	Handle Lock Pin
43		1	3/16 x 1-3/8 Roll Pin SS	45		1	Handle Lock Pin Lever
Item 46 84611 Receiver Pin Kit							
47	95739	1	3/4 x 5 Clevis Pin HT	49	63211	1	Spacer
48	42142	1	R-Pin Cotter				
		SS = Stainless Steel				HT = Heat Treated	
						G = Grade	

* For use only on headgear without a welded reinforcement gusset for the stand pin bushing.

HYDRAULIC AND ELECTRICAL COMPONENTS

Hydraulic Unit Components



HYDRAULIC AND ELECTRICAL COMPONENTS

52649 Hydraulic Unit							
Item	Part	Qty	Description	Item	Part	Qty	Description
1	48278	1	Breather	24	52285	2	Valve, 4-Way, 3-Position Closed Center
2	52289	1	Reservoir Kit	25	52108	1	Plow Control Harness, 4-Coil
3	66607	4	10-24 x 5/16 Machine Screw	26	52077	1	Plow Control Harness, 2-Coil
4	92079	1	Plug, Square 3/8 NPTF	27	29071	1	Vehicle Battery Cable 8"
5	66519	1	O-Ring 2-250	28	52291	1	Snowplow Battery Cable
6	73897	1	Magnet	29	52257	1	Manifold Assembly w/o Valves RD/LT
7	90073	5	5/16-18 x 2-1/4 Hex Cap Screw G5	30	42889	1	Relief Valve 4000 psi
8	56274	1	O-Ring -013	31	98043	3	3/8-16 x 1 Button Cap Screw
9*	66515	1	Pump Shaft Seal	32	52294	6	Coil
ns	52252	1	Seal Repair Tool Kit w/Seal	33	52293-1	1	Plate, Module
10	52288	1	Hydraulic Pump Kit	34	52292	1	Module, Plow Control
11	48281	1	Filter	35	52284	1	Relief Valve (1 set)
14	52282	1	Relief Valve (1 set)	36	84838	1	Pressure Switch
15	48517	1	Quill	37	52295	1	Elbow, 90° -4 M ORB/-6 F ORB
16	44344	4	Plug, Hex Socket -4 M ORB	38	55371	2	O-Ring -008
17†	56364	1	Bearing Sleeve	39	25731	2	O-Ring -010
ns	52251	1	Bearing Repair Tool Kit w/Bearing	40	48239	1	O-Ring -106
18	52299	1	Motor	41	48240	1	Back-Up Ring - 06
19	52290	1	Motor Relay Kit, FLEET FLEX	42	56569	5	O-Ring -906
20	44355	6	1/4-20 x 5/8 Hex Washer-Head Thread-Rolling Screw	43	10887	1	Inlet Fitting
21	48287	2	Check Valve	ns		3	Fuse, 5-Amp Mini Automotive Blade-Style (for items 25 and 26)
22	48288	2	Valve, 2-Way NC w/Rev Flow				
23	44343	5	O-Ring -904				
Item 2 52289 Reservoir Kit							
3	66607	4	10-24 x 5/16 Machine Screw	5	66519	1	O-Ring 2-250
4	92079	1	Plug, Square 3/8 NPTF				
Item 29 52257 Manifold Assembly w/o Valves - RD/LT							
3	66607	4	10-24 x 5/16 Machine Screw	16	44344	4	Plug, Hex Socket -4 M ORB
5	66519	1	O-Ring 2-250	17	56364	1	Bearing Sleeve
8	56274	1	O-Ring -013	23	44343	4	O-Ring -904
9	66515	1	Pump Shaft Seal	31	98043	3	3/8-16 x 1 Button Cap Screw
14	52282	1	Relief Valve (1 set)	35	52284	1	Relief Valve (1 set)
15	48517	1	Quill				
O-Ring Service Kits							
-	52298-1	-	O-Ring Kit	-	48310	-	Seal Kit, 2-Way Valves
-	48309	-	Seal Kit, 3-Way & 4-Way Valves				
ns = not shown				G = Grade			

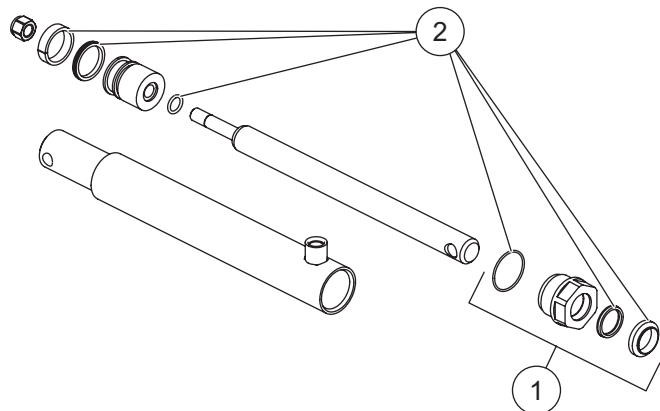
* Use 52252 tool to install.

† Use 52251 tool to install.

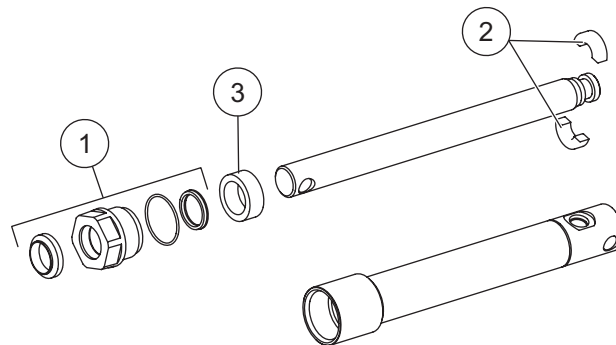
Go to www.snowexproducts.com for hydraulic unit service information and specifications.

HYDRAULIC AND ELECTRICAL COMPONENTS

Lift and Angle Ram Components

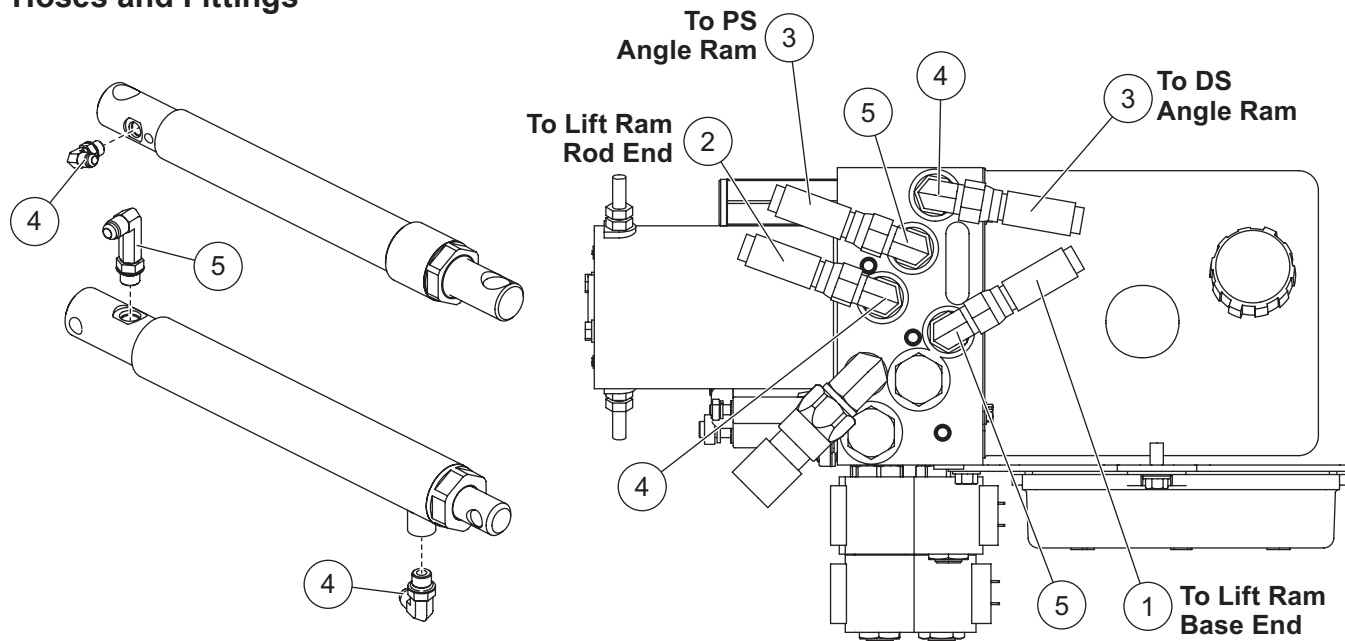


84424 Lift Ram Assembly 1-1/2 x 9 DA			
Item	Part	Qty	Description
1	52277	1	Gland Nut Assembly
2	52302	1	Seal Kit 1-1/2 DA Ram



84427 Angle Ram Assembly 1-1/2 x 8			
Item	Part	Qty	Description
1	48985	1	Gland Nut Assembly
2	57879	1	1-1/2" Split Bearing Kit
3	56537	1	Spacer

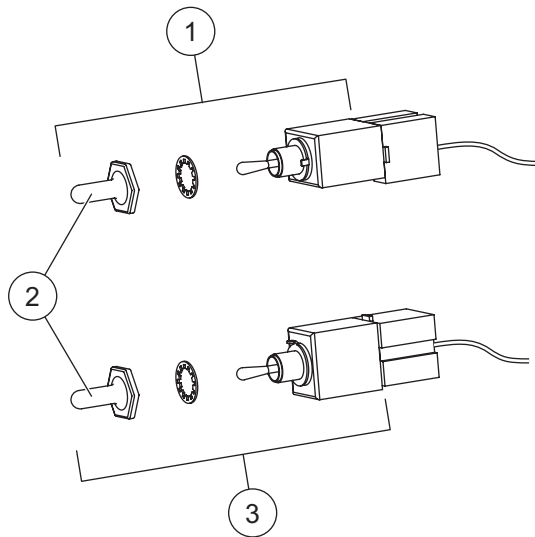
Hoses and Fittings



Hoses and Fittings							
Item	Part	Qty	Description	Item	Part	Qty	Description
1	84446	1	Hose, 1/4 x 14 w/F JIC Ends	5	40572	3	Elbow, Extra Long 90° -6M JIC/ -6 M ORB
2	40570	1	Hose, 1/4 x 22 w/F JIC Ends	ns	56823	1	Hose Wrap
3	52304	2	Hose, 3/8 x 36 w/F JIC Ends				
4	40571	5	Elbow, 90° -6 M JIC/-6 M ORB				
			F = Female			M = Male	
						ns = not shown	

HYDRAULIC AND ELECTRICAL COMPONENTS

Electrical Components

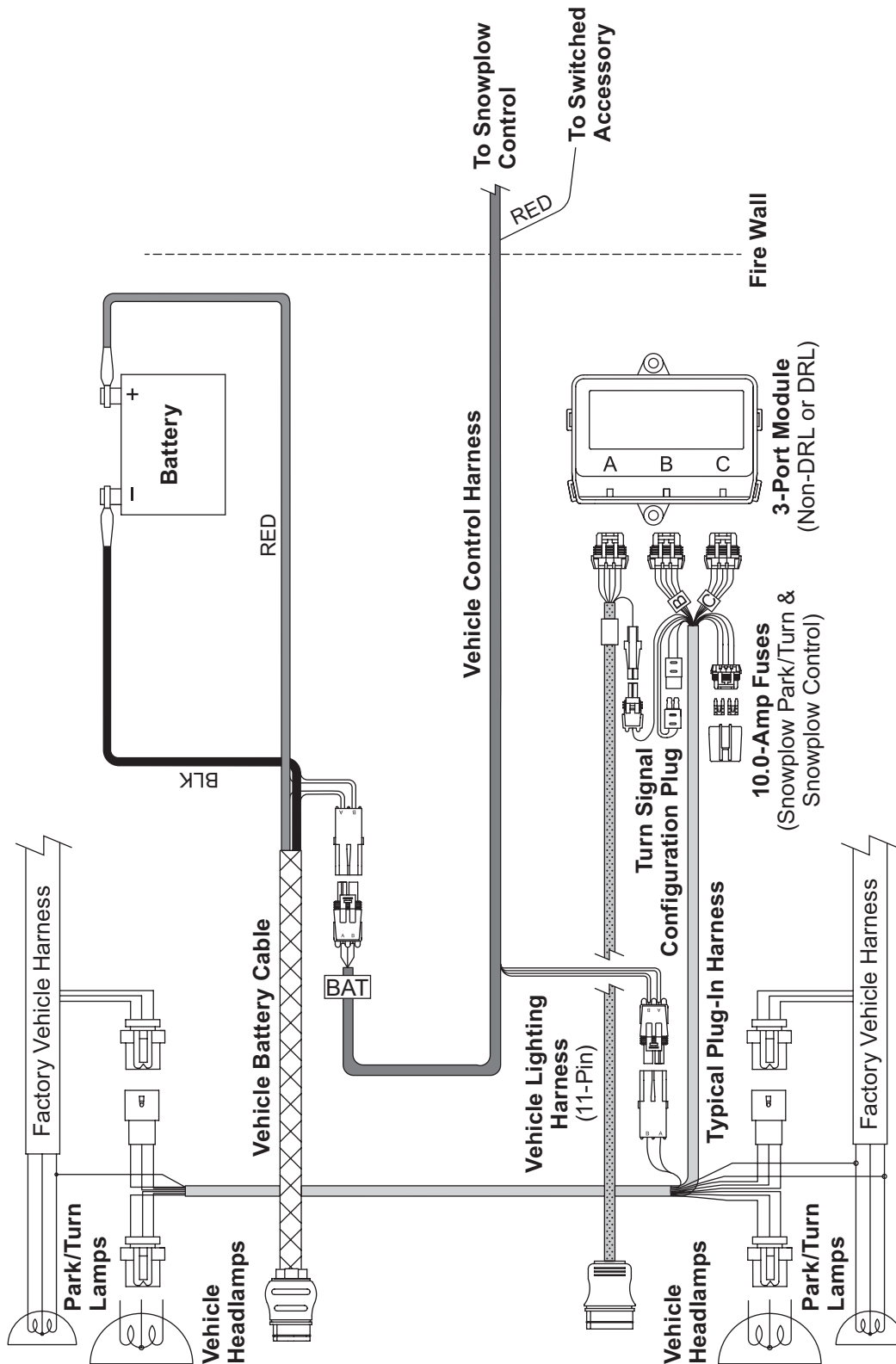


Plow-Side Electrical Components							
Item	Part	Qty	Description	Item	Part	Qty	Description
1	40575	1	Toggle Switch (MOM-ON, OFF, ON)	3	40576	1	Toggle Switch (MOM-ON, OFF, MOM-ON)
2	48259	2	Switch Boot				
Vehicle-Side Electrical Components							
*	42014	1	Vehicle Battery Cable	ns	48325	2	Plug Cover
*	28587	1	Vehicle Control Harness				
ns = not shown							

* For diagram see Vehicle-Side Harness Diagram.

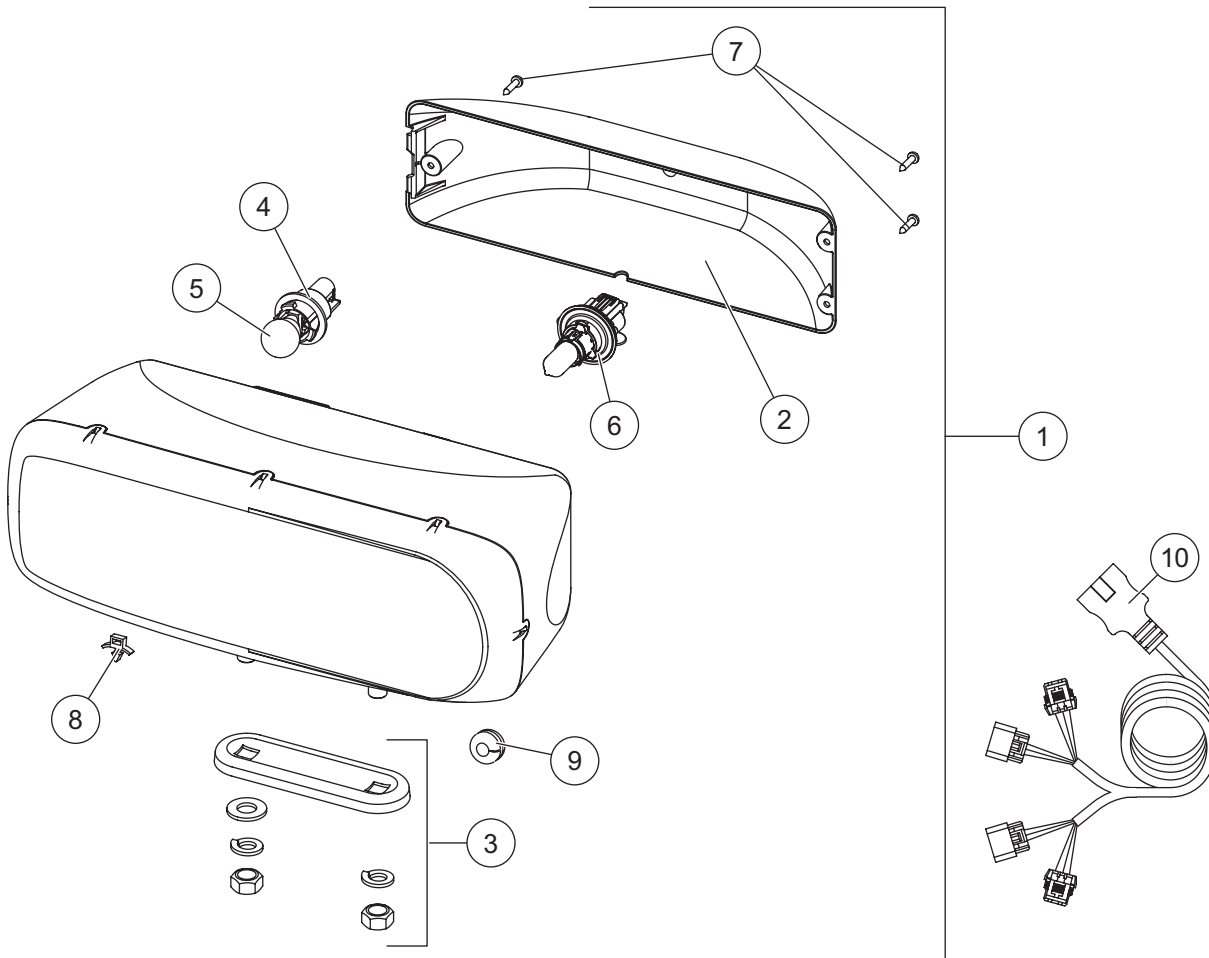
VEHICLE-SIDE HARNESS DIAGRAM

Vehicle-Side Harness Diagram



HEADLAMPS

Headlamp Components



28800-1 Headlamp Kit (Pair)							
Item	Part	Qty	Description	Item	Part	Qty	Description
1	28802-1	1	Headlamp Service Kit – PS	6	28806	2	H13 Headlamp Bulb Service Kit
ns	28801-1	1	Headlamp Service Kit – DS	7	28808-1	2	Cover Screws Service Kit (3 screws)
2	28803-1	2	Rear Cover Kit (fits 2- or 3-screw)	8	56595	6	Cable Anchor Tie
3	28804	2	Mounting Hardware Kit	9	66130	2	Rubber Grommet
4	28805	2	Park/Turn Socket Service Kit	10	28213K	1	Harness Service Kit
5		2	Park/Turn Bulb (Trade No. 4157NAK)				

ns = not shown



TrynEx International, LLC
531 Ajax Drive
Madison Heights, MI 48071-2429
www.snowexproducts.com

 A DIVISION OF DOUGLAS DYNAMICS, LLC

Copyright © 2016 Douglas Dynamics, LLC. All rights reserved. This material may not be reproduced or copied, in whole or in part, in any printed, mechanical, electronic, film or other distribution and storage media, without the written consent of TrynEx International, LLC. Authorization to photocopy items for internal or personal use by TrynEx International, LLC outlets or snowplow owner is granted.

TrynEx International, LLC reserves the right under its product improvement policy to change construction or design details and furnish equipment when so altered without reference to illustrations or specifications used. TrynEx International, LLC or the vehicle manufacturer may require or recommend optional equipment for snow removal. Do not exceed vehicle ratings with a snowplow. TrynEx International, LLC offers a limited warranty for all snowplows and accessories. See separately printed page for this important information. The following are registered (®) or unregistered (™) trademarks of Douglas Dynamics, LLC: Automatix™, SnowEx®.

Printed in U.S.A.
