



IMPACT™ UTV V-Plow

Blade Assembly 74360
Center Assembly 77865

Parts List

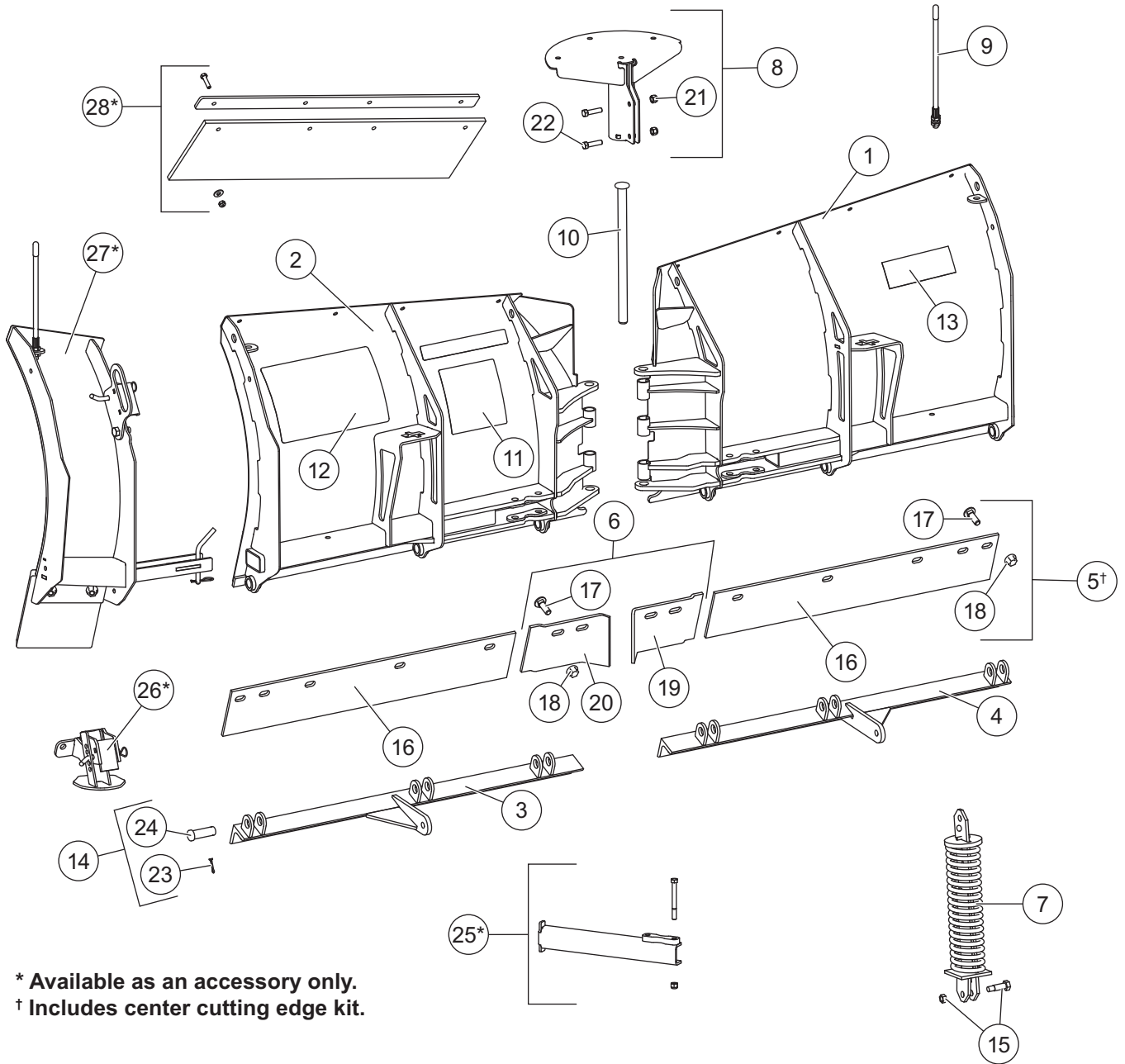


TABLE OF CONTENTS

IMPACT™ BLADE ASSEMBLY	4
HEADGEAR AND T-FRAME ASSEMBLY	6
HYDRAULIC COMPONENTS	6
Hydraulic Unit.....	8
Lift and Angle Rams	10
Hoses and Fittings.....	11
VEHICLE-SIDE HARNESS DIAGRAM	12

IMPACT™ UTV V-PLOW BLADE 74360

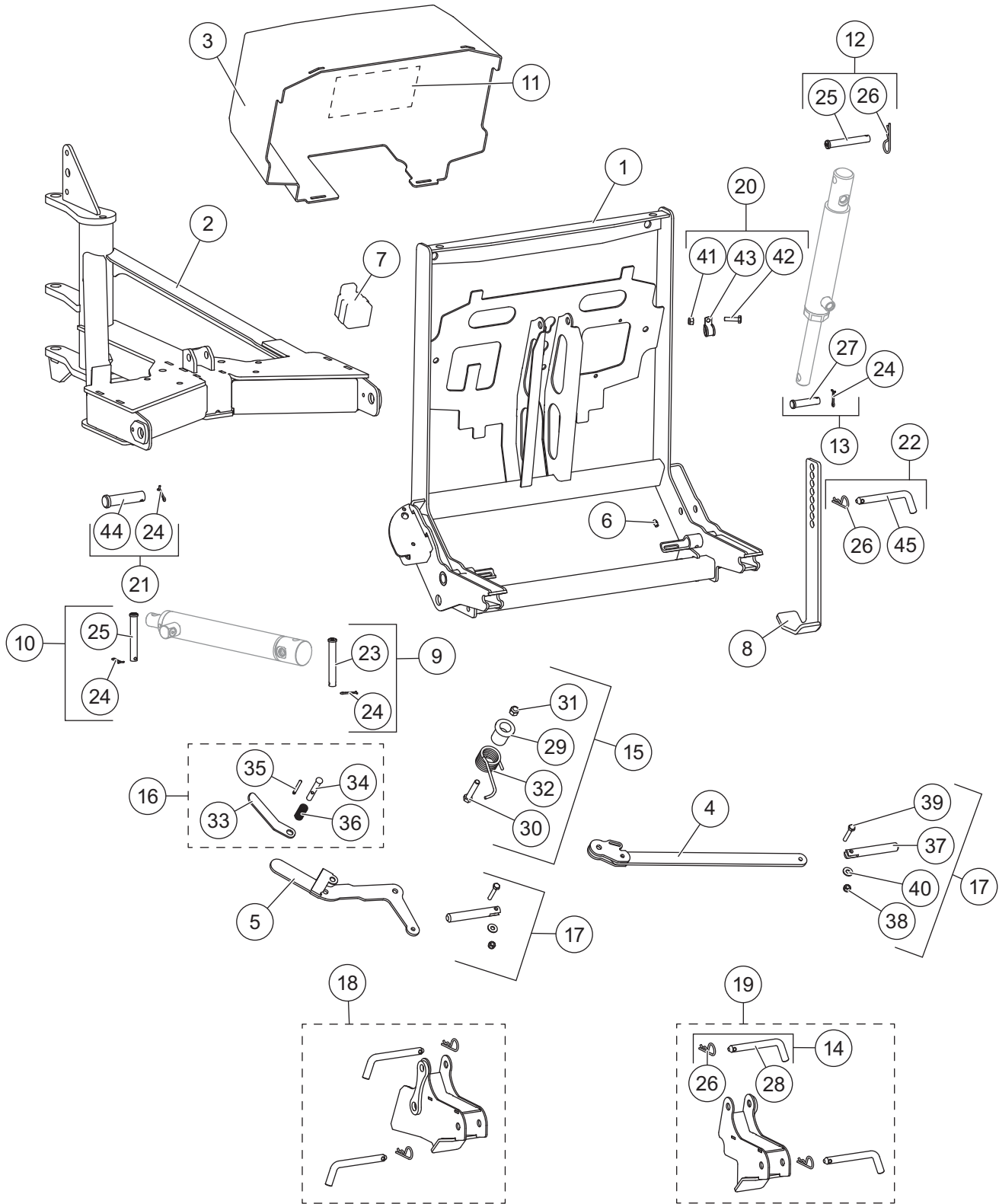
Blade Components and Accessories



* Available as an accessory only.
† Includes center cutting edge kit.

IMPACT™ UTV V-PLOW HEADGEAR AND T-FRAME ASSEMBLY

Headgear and T-Frame Components

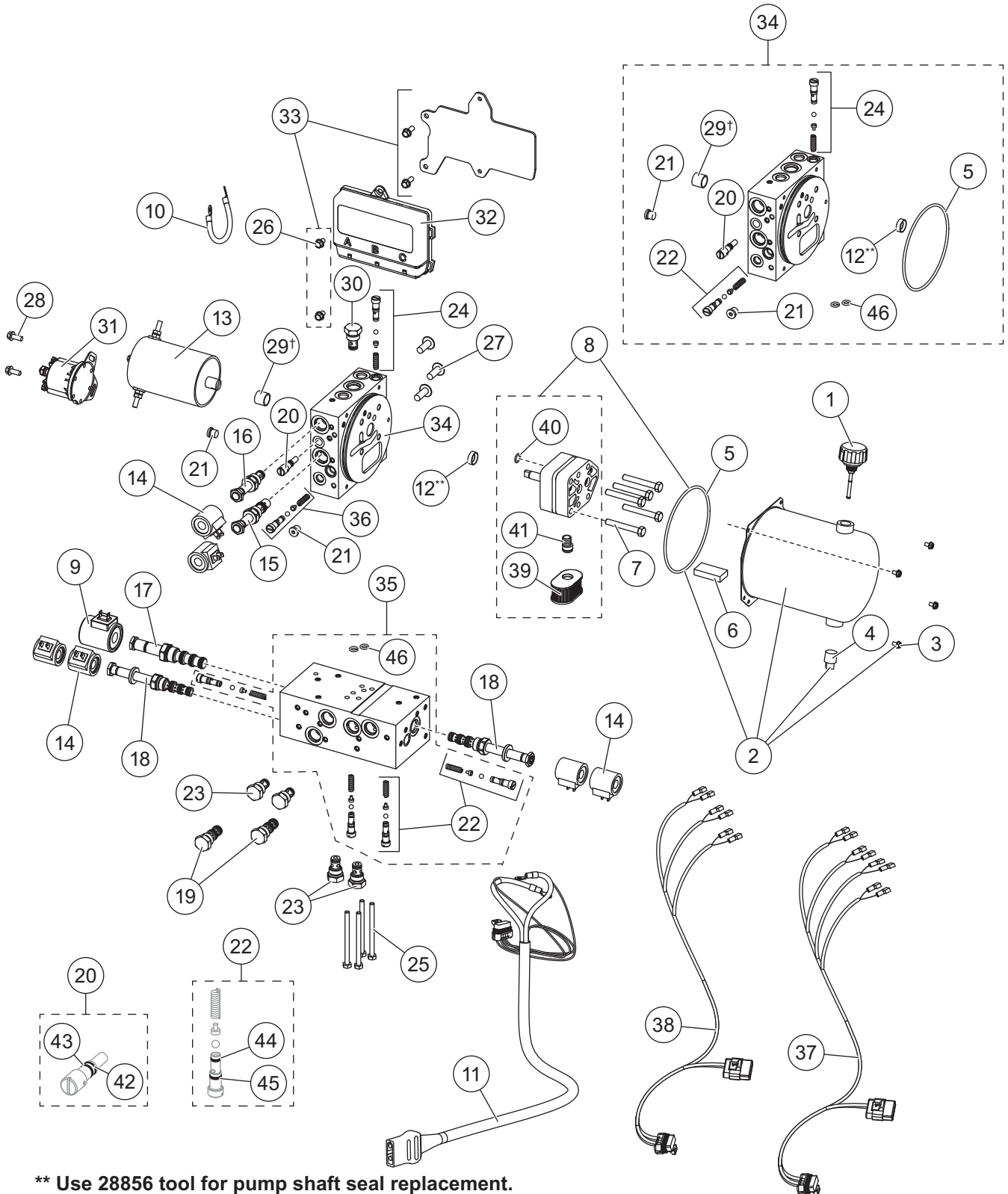


IMPACT™ UTV V-PLOW HEADGEAR AND T-FRAME ASSEMBLY

IMPACT Headgear and T-Frame Components							
Item	Part	Qty	Description	Item	Part	Qty	Description
1	84361	1	Headgear	12	85199	1	Lift Ram Base Pin Kit
2	83628	1	T-Frame	13	84627	1	Lift Ram Rod Pin Kit
3	84843	1	Hydraulic Cover (incl. item 11)	14	84610	4	Receiver Pin Kit
4	83635	1	Link	15	83636	1	Torsion Spring/Spacer Kit
5	83634	1	Handle	16	83633	1	Attach Handle Release Cam Kit
6	84616	1	Grease Zerk (pkg of 3)	17	84602	2	Hitch Pin Kit
7	61246	1	Cable Boot	18	83637	1	Receiver Kit, DS
8	84846	1	Stand	19	83638	1	Receiver Kit, PS
9	83629	2	Angle Ram Base Pin Kit	20	84778	1	Power Cable Clamp Loop Kit
10	85198	2	Angle Ram Rod Pin Kit	21	83630	1	T-Frame Pin Kit
11	43862	1	Label – Information, Hydraulic	22	83825	1	Stand Pin Kit
Item 9				83629 Angle Ram Base Pin Kit			
23		1	1/2 x 3-11/16 Clevis Pin HT	24		1	5/32 x 1-1/2 Cotter Pin
Item 10				85198 Angle Ram Rod Pin Kit			
24		1	5/32 x 1-1/2 Cotter Pin	25		1	1/2 x 2-7/8 Clevis Pin HT
Item 12				85199 Lift Ram Base Pin Kit			
25		1	1/2 x 2-7/8 Clevis Pin HT	26		1	1/8 Hairpin Cotter
Item 13				84627 Lift Ram Rod Pin Kit			
24		1	5/32 x 1-1/2 Cotter Pin	27		1	1/2 x 2-1/8 Clevis Pin HT
Item 14				84610 Receiver Pin Kit			
26		1	1/8 Hairpin Cotter	28		1	1/2 x 4 Clevis Pin
Item 15				83636 Torsion Spring/Spacer Kit			
29		1	Spacer, Handle Spring	31		1	3/8-16 Hex Locknut GB
30		1	3/8-16 x 2-1/4 Hex Cap Screw G5	32		1	Torsion Spring
Item 16				83633 Attach Handle Release Cam Kit			
33		1	Handle Lock Pin Lever	35		1	3/16 x 1-3/8 Spring Pin SS
34		1	Lock Pin	36		1	Stand Lock Pin Spring
Item 17				84602 Hitch Pin Kit			
37		1	Hitch Pin	39		1	1/4-20 x 1-1/2 Hex Cap Screw SS
38		1	1/4-20 Hex Locknut GB	40		1	1/4 Flat Washer Type A Wide
Item 18				83637 Receiver Kit, DS			
		1	Receiver, DS	14		2	Receiver Pin Kit
Item 19				83638 Receiver Kit, PS			
		1	Receiver, PS	14		2	Receiver Pin Kit
Item 20				84778 Power Cable Clamp Loop Kit			
41		1	1/4-20 Hex Locknut GB	43		1	#10 Clamp Loop
42		1	1/4-20 x 1 Hex Cap Screw G5				
Item 21				83630 T-Frame Pin Kit			
24		1	5/32 x 1-1/2 Cotter Pin	44		1	3/4 x 3 Clevis Pin
Item 22				83825 Stand Pin Kit			
26		1	1/8 Hairpin Cotter	45		1	3/8 x 2-3/8 Clevis Pin
			G = Grade				HT = Heat Treated
							SS = Stainless Steel

IMPACT™ UTV V-PLOW HYDRAULIC COMPONENTS

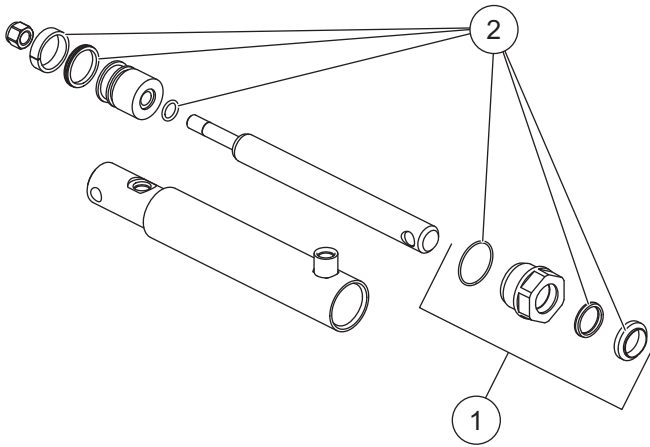
Hydraulic Unit Components



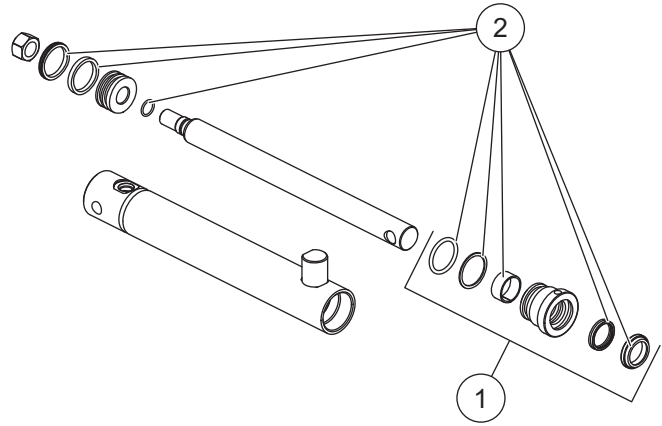
** Use 28856 tool for pump shaft seal replacement.
† Use 64589 tool for bearing sleeve replacement.

IMPACT™ UTV V-PLOW HYDRAULIC COMPONENTS

Lift and Angle Ram Components



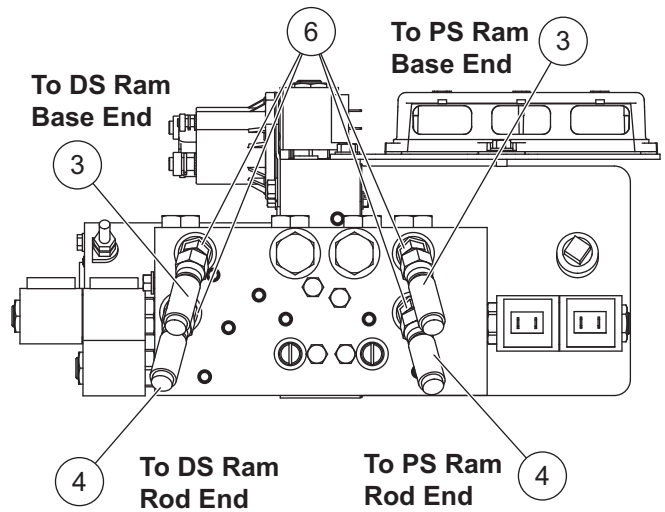
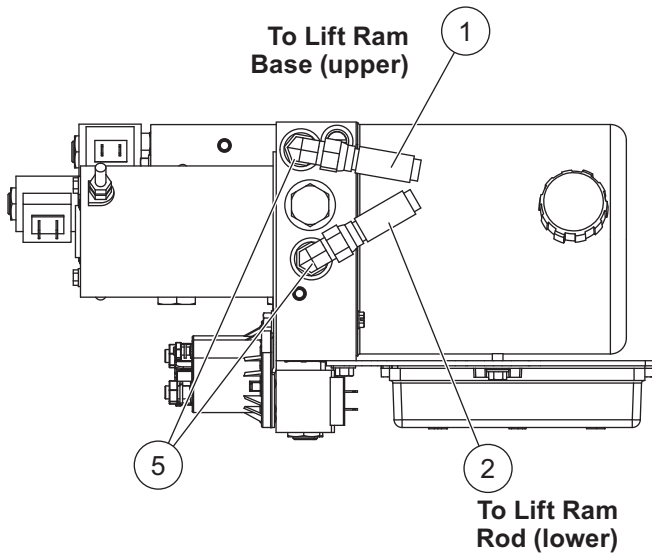
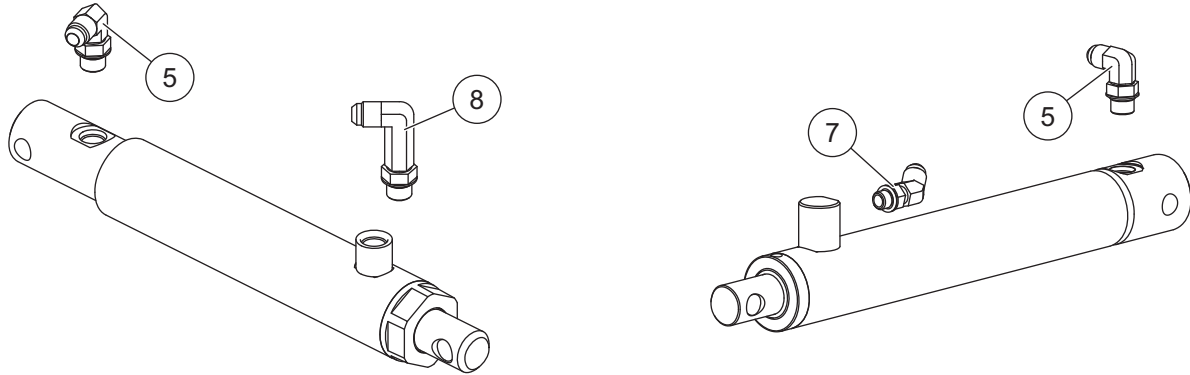
77484 Lift Ram Assembly 1-1/2 x 6			
Item	Part	Qty	Description
1	52277	1	1" Gland Nut Assembly
2	27788-1	1	Seal Kit 1-1/2 DA Ram



84435 Wing Ram Assembly 1-1/2 x 8-3/4 DA			
Item	Part	Qty	Description
1	52558	1	1" Gland Nut Assembly
2	52557	1	Seal Kit 1-1/2 DA Ram

IMPACT™ UTV V-PLOW HYDRAULIC COMPONENTS

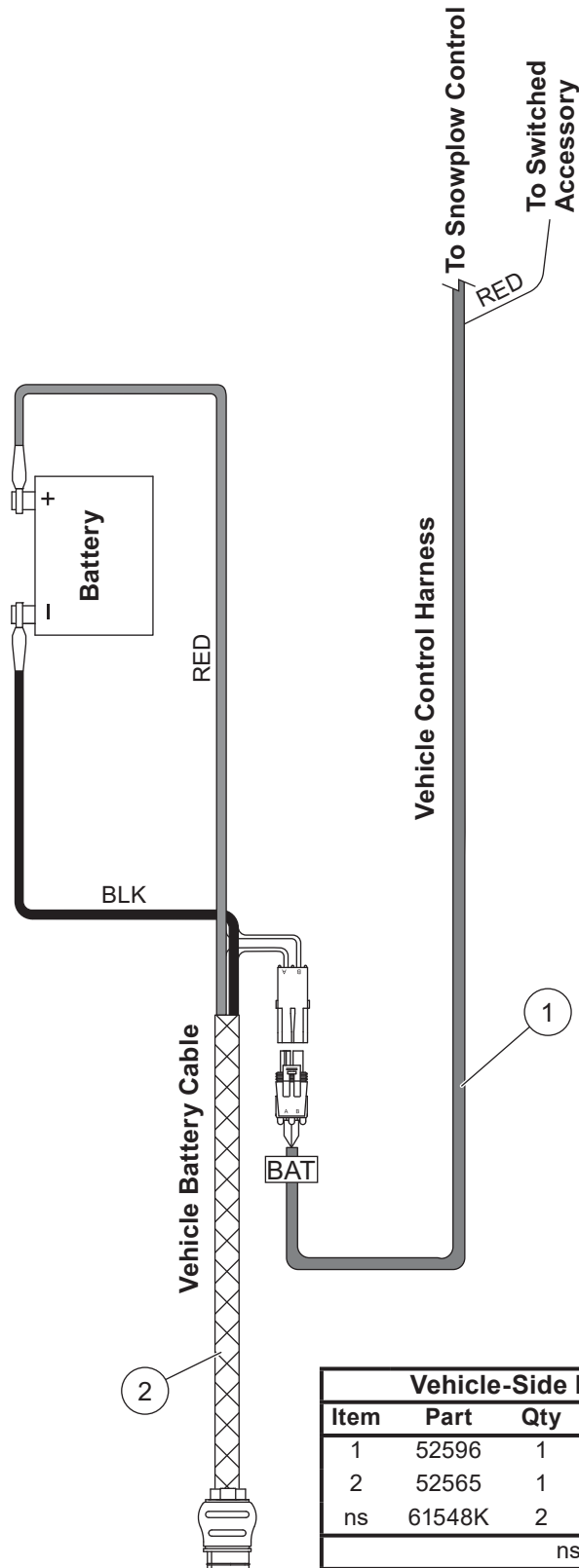
Hoses and Fittings



Hoses and Fittings							
Item	Part	Qty	Description	Item	Part	Qty	Description
1	84446	1	Hose, 1/4 x 14 w/F JIC Ends	6	26694	4	Elbow, 45° -6 M JIC/-6 M ORB
2	84453	1	Hose, 1/4 x 20 w/F JIC Ends	7	41093	2	Elbow, 45° -6 M JIC/-4 M ORB
3	48519	2	Hose, 1/4 x 32 w/F JIC Ends	8	64212-1	1	Elbow, Extra Long 90° -6 M JIC/-6 M ORB
4	64625	2	Hose, 1/4 x 36 w/F JIC Ends				
5	56615-1	5	Elbow, 90° -6 M JIC/-6 M ORB				
F = Female				M = Male			

IMPACT™ UTV V-PLOW VEHICLE-SIDE HARNESS DIAGRAM

Vehicle-Side Harness Diagram



Vehicle-Side Electrical Components			
Item	Part	Qty	Description
1	52596	1	Vehicle Control Harness
2	52565	1	Vehicle Battery Cable
ns	61548K	2	Plug Cover
ns = not shown			



Western Products
PO Box 245038
Milwaukee, WI 53224-9538
www.westernplows.com

 **A DIVISION OF DOUGLAS DYNAMICS, LLC**

Copyright © 2021 Douglas Dynamics, LLC. All rights reserved. This material may not be reproduced or copied, in whole or in part, in any printed, mechanical, electronic, film, or other distribution and storage media, without the written consent of Western Products. Authorization to photocopy items for internal or personal use by Western Products outlets or snowplow owner is granted.

Western Products reserves the right under its product improvement policy to change construction or design details and furnish equipment when so altered without reference to illustrations or specifications used. Western Products or the vehicle manufacturer may require or recommend optional equipment for snow removal. Do not exceed vehicle ratings with a snowplow. Western Products offers a limited warranty for all snowplows and accessories. See separately printed page for this important information. The following are registered (®) or unregistered (™) trademarks of Douglas Dynamics, LLC: IMPACT™, ULTRAFINISH™, WESTERN®.

Printed in U.S.A.