



**PRODIGY™**

**PRO PLUS®**

**PRODIGY™ & PRO PLUS®  
Skid Steer Snowplows**

**PRODIGY Blade Assembly 57700**

**PRO PLUS Blade Assembly 76901, 76974, 76980**

**PRODIGY A-Frame/Attachment Plate, Hydraulics 57820**

**PRO PLUS A-Frame/Attachment Plate, Hydraulics 75720**

**Parts List**





# TABLE OF CONTENTS

---

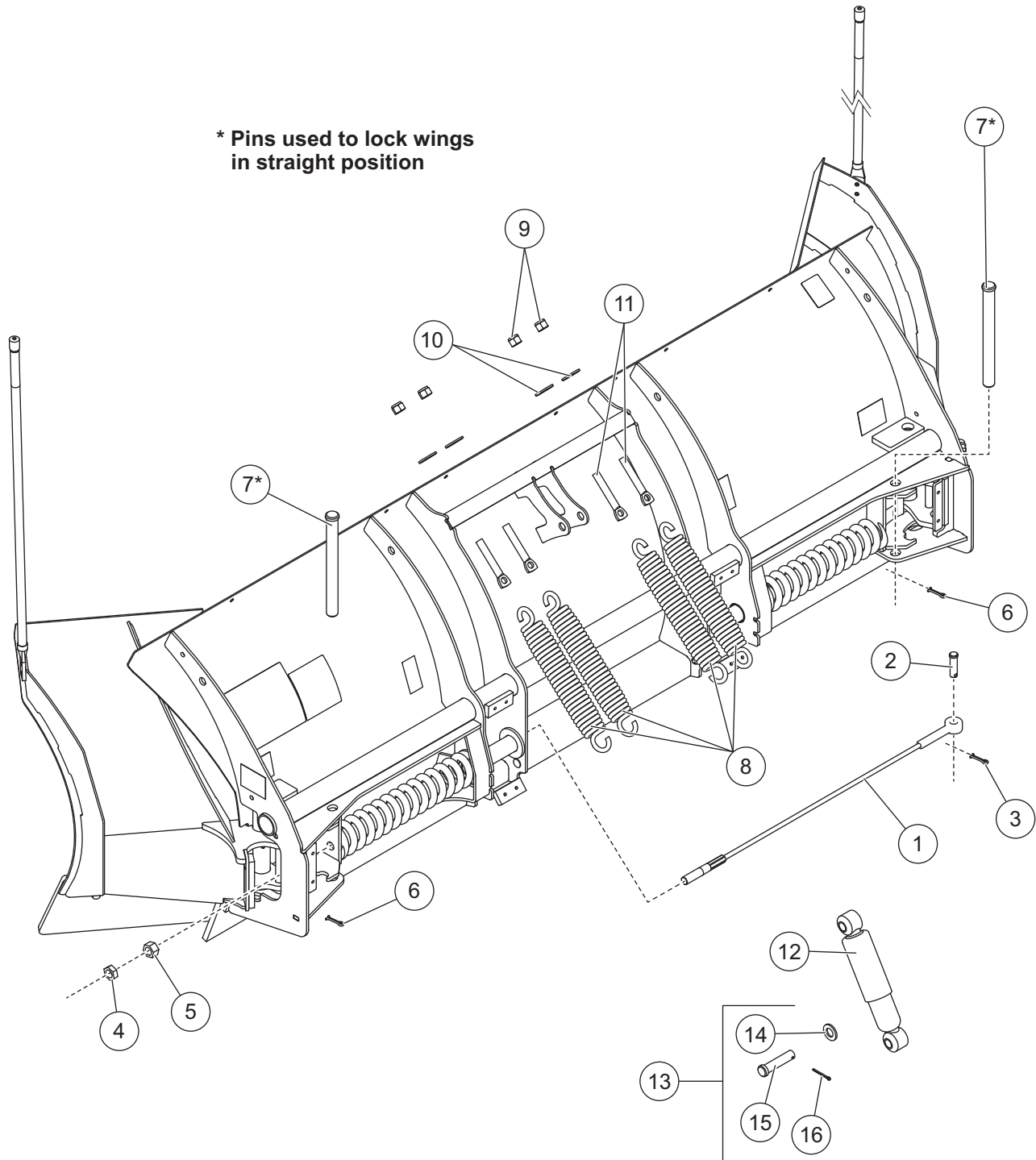
<b>PRODIGY™ BLADE</b> .....	4
Blade Components .....	4
A-Frame Components .....	8
<b>PRO PLUS® BLADES</b> .....	10
Blade Components .....	10
A-Frame Components .....	12
<b>ANGLE RAM COMPONENTS</b> .....	14
<b>HYDRAULIC COMPONENTS</b> .....	15





# SKID STEER SNOWPLOW PRODIGY™ BLADE – 57820

## Blade Components



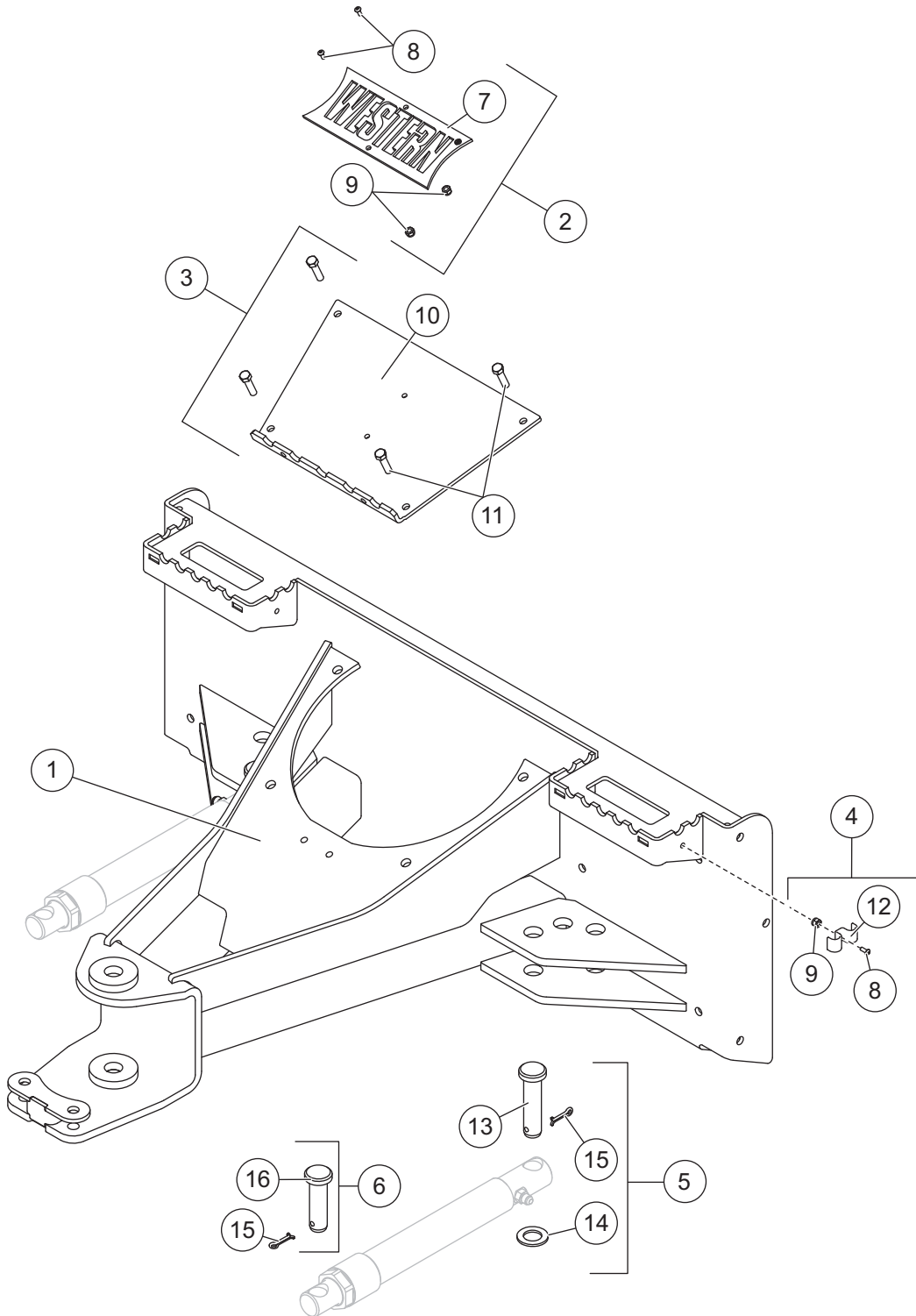
## SKID STEER SNOWPLOW PRODIGY™ BLADE – 57820

PRODIGY Blade Components							
Item	Part	Qty	Description	Item	Part	Qty	Description
1	42389	2	Cable Assembly w/Hardware (incl. items 2, 3, 4 and 5)	9	91416	4	5/8-11 Hex Nut G5
2	B61563	2	0.625 x 2.33 Clevis Pin	10	90576	4	5/8 Hardened Flat Washer
3	90601	2	1/4 x 1-1/2 Cotter Pin	11	90490	4	5/8-11 x 4 Eyebolt G2
4	B61615	2	3/4-10 Hex Jam Nut	12 <sup>‡</sup>	63979	1	Shock Absorber
5	B61343	2	3/4-10 Hex Nut	13 <sup>‡</sup>	93063K	2	Shock Absorber Hardware Kit
6	91962	2	1/8 Hairpin Cotter	14		2	3/4" Flat Washer
7	42738	2	3/4 x 9 Clevis Pin	15		2	3/4 x 4 Clevis Pin
8	23039	4	Trip Spring	16		2	5/32 x 1-1/2 Cotter Pin

‡ = Accessory Only

# SKID STEER SNOWPLOW PRODIGY™ BLADE – 57820

## A-Frame Components





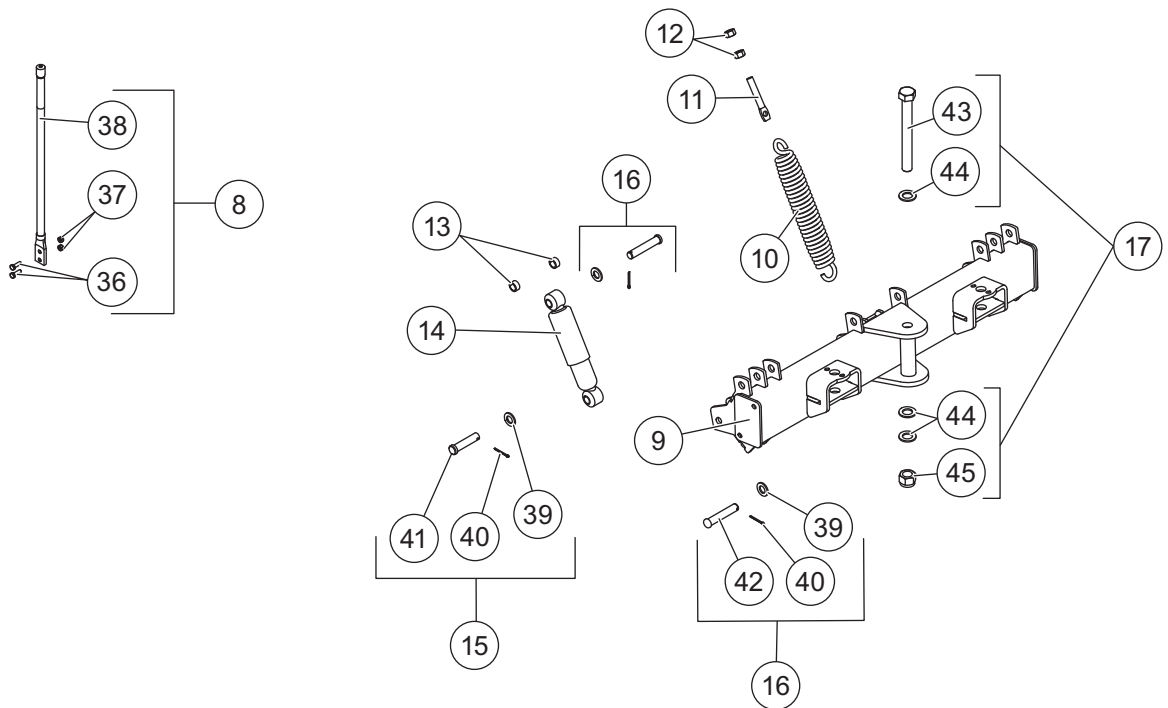
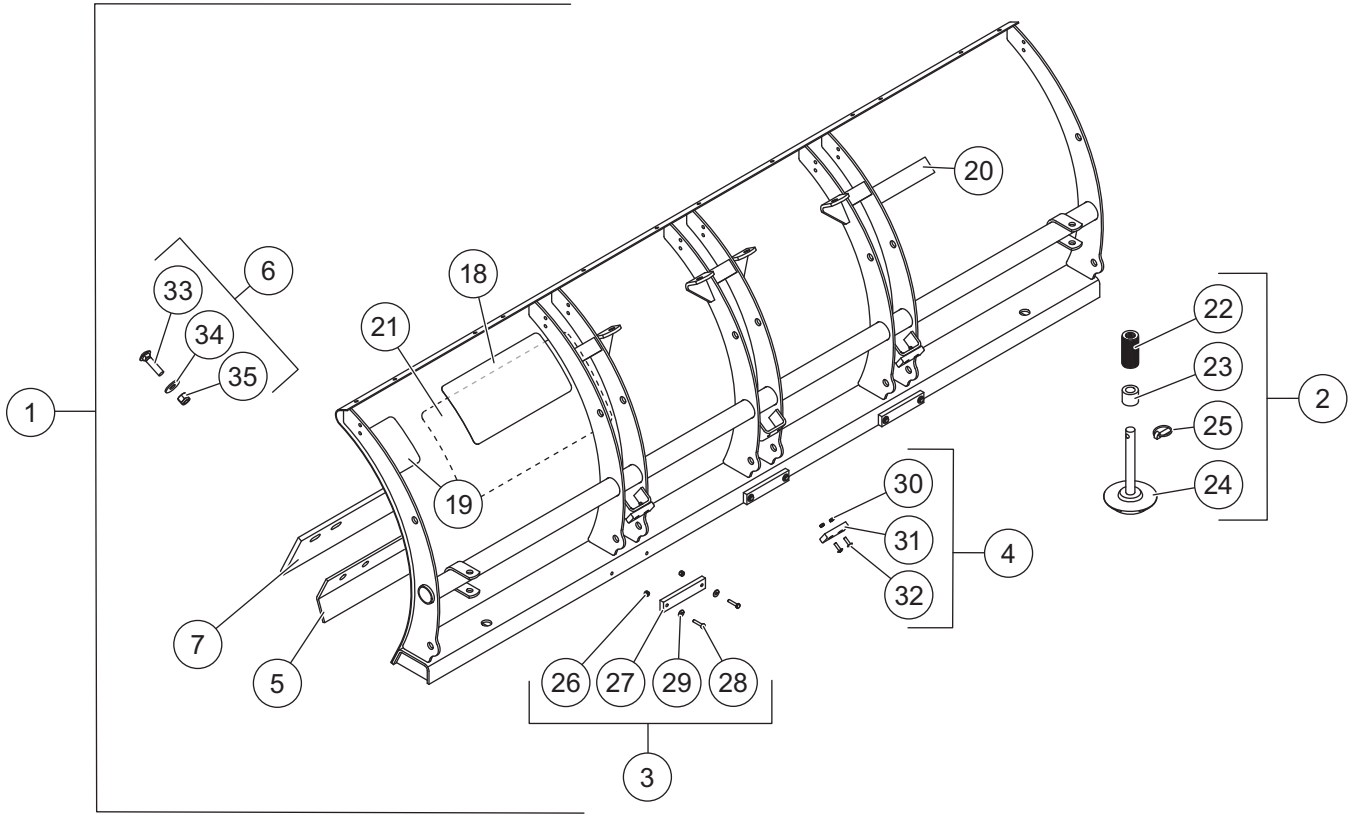
## SKID STEER SNOWPLOW PRODIGY™ BLADE – 57820

A-Frame Components – PRODIGY							
Item	Part	Qty	Description	Item	Part	Qty	Description
1	57970	1	A-Frame	4	57890	1	Hose Clamp Kit
2	57975	1	Logo Plate w/Hardware	5	57968	2	Ram Pin Kit
3	57978	1	Step Plate w/Hardware	6	50674	2	Ram Pin Kit
<b>Item 2</b>				<b>57975 Logo Plate w/Hardware</b>			
7		1	Logo Plate – WESTERN®	9		2	1/4-20 Hex Locknut
8		2	1/4-20 x 1-1/2 Button-Head Screw				
<b>Item 3</b>				<b>57978 Step Plate w/Hardware</b>			
10		1	Step Plate	11		4	3/8-16 x 1-1/2 Button-Head Screw
<b>Item 4</b>				<b>57890 Hose Clamp Kit</b>			
8		1	1/4-20 x 1-1/2 Button-Head Screw	12		1	Double Hose Clamp
9		1	1/4-20 Hex Locknut				
<b>Item 5</b>				<b>57968 Ram Pin Kit</b>			
13		1	1 x 4 Clevis Pin	15		1	1/4 x 1-1/2 Cotter Pin
14		1	1.03 ID x 1.75 OD Flat Washer				
<b>Item 6</b>				<b>50674 Ram Pin Kit</b>			
16		1	1 x 3-5/16 Clevis Pin	15		1	1/4 x 1-1/2 Cotter Pin

For hydraulic relief manifold and fittings, see p. 15.

# SKID STEER SNOWPLOW PRO PLUS® BLADE – 75720

## Blade Components

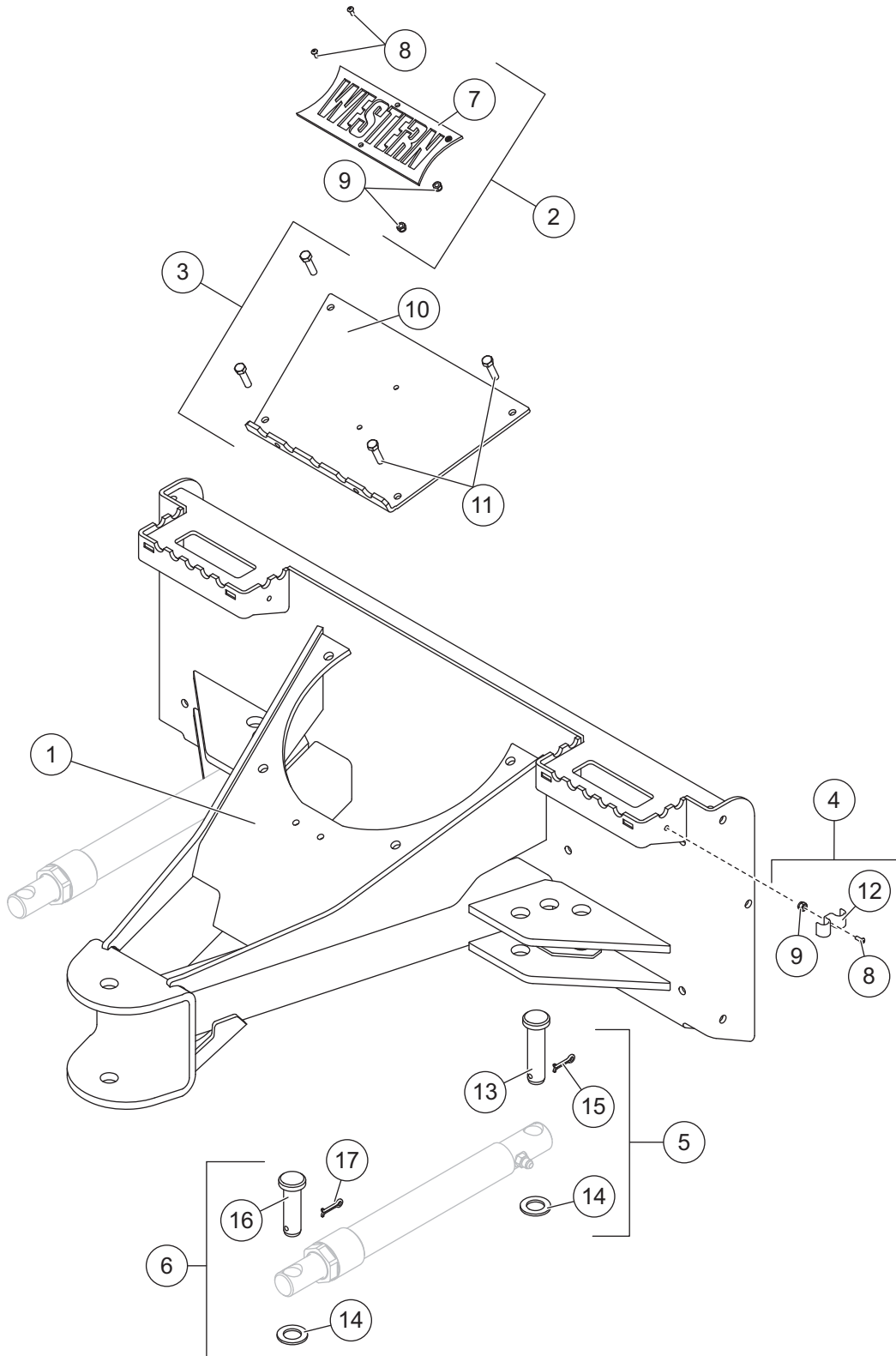


# SKID STEER SNOWPLOW PRO PLUS® BLADE – 75720

Blade Components – PRO PLUS							
Item	Part	Qty	Description	Item	Part	Qty	Description
1	66901	1	9' Blade Assembly	9	66930-1	1	Quadrant
	66974	1	8.5' Blade Assembly	10	23039	4	Trip Spring
	66980	1	8' Blade Assembly	11	90490	4	5/8-11 x 4 Eyebolt G2
2	49071	2	Shoe Kit	12	91416	4	5/8-11 Hex Nut G5
3	63977	2	Trip Stop Kit	13	63211	4	Spacer 0.758 ID x 1 OD x 0.5 LG
4	63976	1	Push Stop Kit	14	63979	2	Shock Absorber
5†	66991	1	9' Back Drag Edge	15	93063K	2	3/4 x 3-1/4 Clevis Pin Kit
	66999	1	8.5' Back Drag Edge	16	95335	5	3/4 x 4 Clevis Pin Kit
	66892	1	8' Back Drag Edge	17	63978	1	Pivot Bolt Kit – PP
6	29351	1	Cutting/Back Drag Edge Bolt Bag	18	57989	1	Label – Skid Steer Attach/Detach
7	63990	1	9' Cutting Edge Kit (incl. item 6)	19	59900	1	Label – Warning/Caution, Snowplows
	63985	1	8.5' Cutting Edge Kit (incl. item 6)	20	28404	1	Label – ULTRAFINISH™
	63980	1	8' Cutting Edge Kit (incl. item 6)	21	28548	1	Label – CONTRACTOR GRADE®
8	62595	1	Blade Guide Assembly (pkg of 2)				
<b>Item 2</b>				<b>49071 Shoe Kit</b>			
22	91192	29	Round Flat Washer Special	24		1	Heavy-Duty Disc Shoe
23	60045	1	Spacer	25	93010K	1	7/16 x 1-3/4 Linchpin
<b>Item 3</b>				<b>63977 Trip Stop Kit</b>			
26		2	1/4-20 Hex Locknut G5	28		2	1/4-20 x 1-1/4 Hex Cap Screw G5
27		1	Bumper	29		2	1/4 Flat Washer
<b>Item 4</b>				<b>63976 Push Stop Kit</b>			
30		2	1/4-20 Hex Jam Locknut GB	32		2	1/4-20 x 3/4 Button Cap Screw
31		1	Bumper				
<b>Item 6</b>				<b>29351 Cutting/Back Drag Bolt Bag</b>			
33	63986	10	5/8-11 x 2-1/2 Carriage Bolt G5	35	91337	10	5/8-11 Hex Locknut GB
34	90576	10	5/8 Hardened Flat Washer				
<b>Item 8</b>				<b>62595 Blade Guide Assembly</b>			
36	68494	4	5/16-18 x 1 Hex Cap Screw G5	38	62578	2	Blade Guide, Poly 24" w/Label
37	91332	4	5/16-18 Hex Locknut GB				
<b>Item 15</b>				<b>93063K 3/4 x 3-1/4 Clevis Pin Kit</b>			
39	91147	1	3/4 Flat Washer	41		1	3/4 x 3-1/4 Clevis Pin
40	91911K	1	5/32 x 1-1/2 Cotter Pin Kit				
<b>Item 16</b>				<b>95335 3/4 x 4 Clevis Pin Kit</b>			
39	91147	1	3/4 Flat Washer	42		1	3/4 x 4 Clevis Pin
40	91911K	1	5/32 x 1-1/2 Cotter Pin Kit				
<b>Item 17</b>				<b>63978 Pivot Bolt Kit – PP</b>			
43		1	1-8 x 9 Hex Cap Screw G5	45	91340	1	1-8 Hex Locknut GB
44	91192	3	Round Flat Washer, Special				
† = Accessory Only				G = Grade			

# SKID STEER SNOWPLOW PRO PLUS® BLADE – 75720

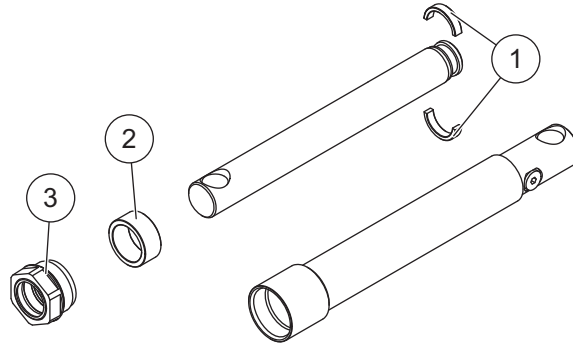
## A-Frame Components





# SKID STEER SNOWPLOW – 57820/75720

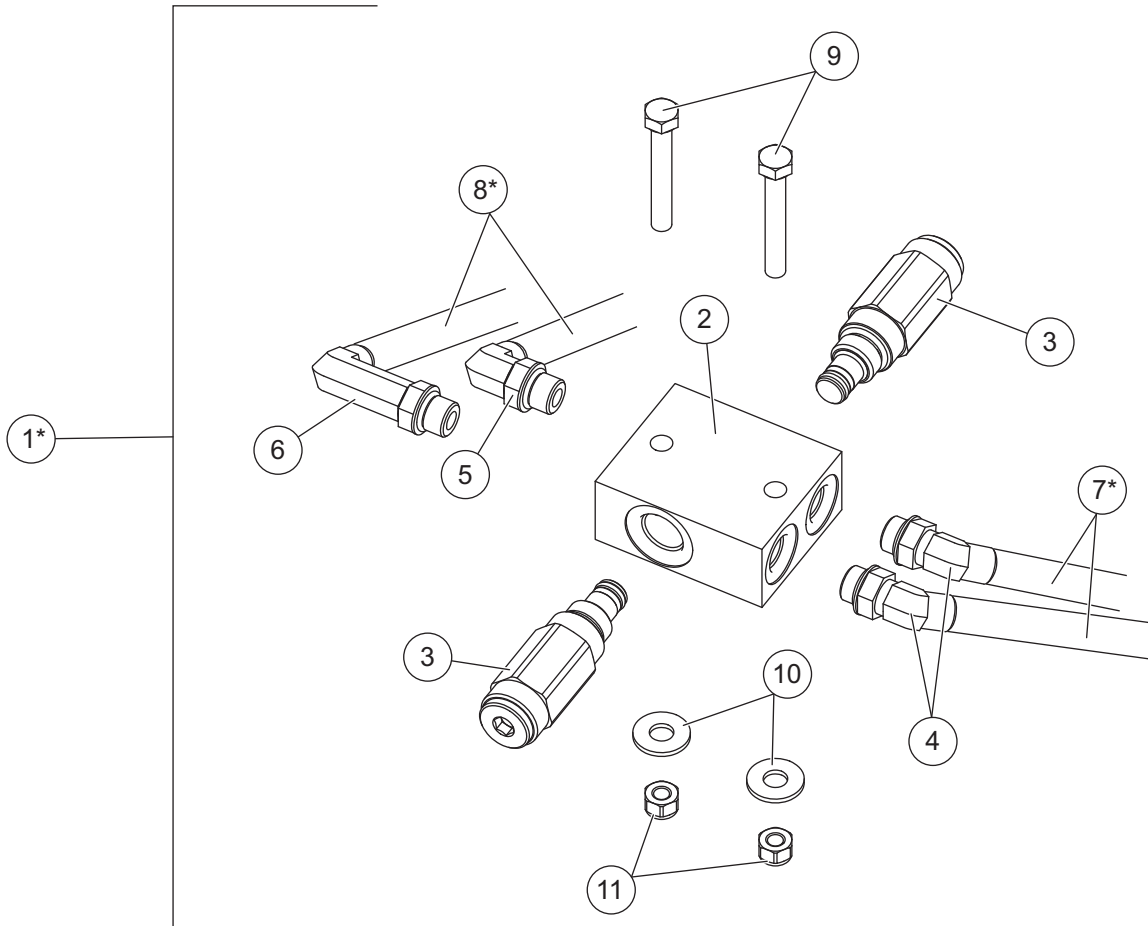
## Angle Ram Components



64148 Angle Ram Assembly 1-1/2 x 12 (PRO PLUS®)							
49460 Angle Ram Assembly 1-1/2 x 10 (PRODIGY™)							
Item	Part	Qty	Description	Item	Part	Qty	Description
1	64650	2	Split Bearing 1-1/2"	3	48985	1	Gland Nut Assembly
2	56537	1	Spacer				

# SKID STEER SNOWPLOW – 57820/75720

## Hydraulic Components



Hydraulic Components							
Item	Part	Qty	Description	Item	Part	Qty	Description
1*	57982	1	Relief Manifold w/Valves, Fittings & Hardware	6	64212-1	1	Elbow, Extra Long 90° –6 M JIC/ –6 M ORB
2	57984	1	Relief Manifold	7*	57965	2	Hose, 3/8 x 84 w/F JIC Ends
3	57895	2	Relief Valve, 3300 psi	8*	49496	2	Hose, 3/8 x 42 w/F JIC Ends
4	57877	2	Elbow, 45° –6 M JIC/–6 M ORB	ns	57983	1	Hardware Bag
5	56615-1	1	Elbow, 90° –6 M JIC/–6 M ORB	ns	57893	1	1/2 Coupler Set (accessory only)
57983 Hardware Bag							
9		2	5/16-18 x 2-1/4 Hex Cap Screw G5	11		2	5/16-18 Hex Locknut
10		2	5/16 Flat Washer				
			F = Female			M = Male	G = Grade

\* Hoses not included in item 1.



Western Products  
PO Box 245038  
Milwaukee, WI 53224-9538  
[www.westernplows.com](http://www.westernplows.com)

 A DIVISION OF DOUGLAS DYNAMICS, LLC

Copyright © 2013 Douglas Dynamics, LLC. All rights reserved. This material may not be reproduced or copied, in whole or in part, in any printed, mechanical, electronic, film or other distribution and storage media, without the written consent of Western Products. Authorization to photocopy items for internal or personal use by Western Products outlets or snowplow owner is granted.

Western Products reserves the right under its product improvement policy to change construction or design details and furnish equipment when so altered without reference to illustrations or specifications used. Western Products or the vehicle manufacturer may require or recommend optional equipment for snow removal. Do not exceed vehicle ratings with a snowplow. Western Products offers a limited warranty for all snowplows and accessories. See separately printed page for this important information. The following are registered (®) or unregistered (™) trademarks of Douglas Dynamics, LLC: CONTRACTOR GRADE®, PRO PLUS®, PRODIGY™, ULTRAFINISH™, WESTERN®.

**Printed in U.S.A.**