



Western Products  
 PO Box 245038  
 Milwaukee, WI 53224-9538  
 www.westernplows.com

**DD** A DIVISION OF DOUGLAS DYNAMICS, L.L.C.

**62123-1, 62124-1, 62220-1,  
 62530-1, 63700, 63670**

**Rubber Deflector Kits**

**Installation Instructions**

**INSTALLATION INSTRUCTIONS**

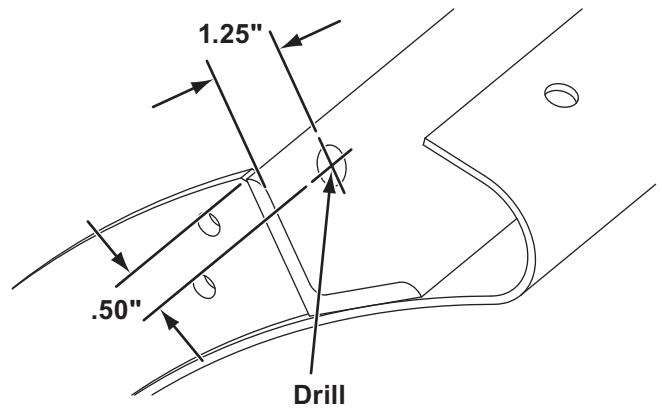
**⚠ WARNING**  
 Do not exceed GVWR or GAWR, including blade and ballast. The rating label is found on the driver-side vehicle door cornerpost.

**⚠ CAUTION**  
 Read this document before installing the Rubber Deflectors.

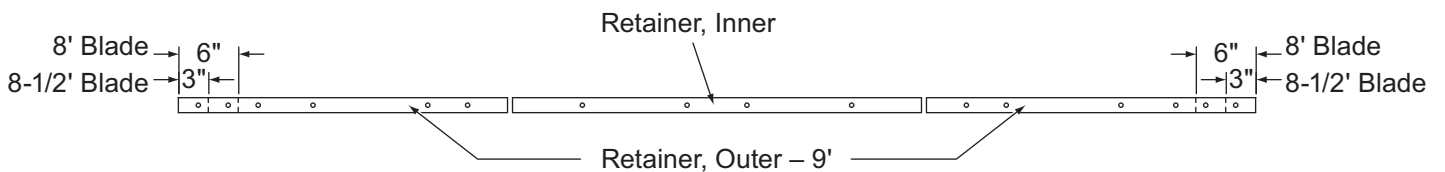
**⚠ CAUTION**  
 Use standard methods and practices when attaching snowplow and installing accessories including proper personal protective safety equipment.

**⚠ CAUTION**  
 See your WESTERN® outlet/Web site for specific vehicle application recommendations before installation. Rubber Deflector weight information may be found in the Selection List.

1. Drill a 17/32" (.531") hole in each end of the upper blade angle as shown.



2. Center the deflector lengthwise on top of the blade curl. If the deflector is longer than the blade, cut off the excess material equally from each end. If the retainer bars are longer than the blade, cut off the amounts from each outer end of the retainer bars as shown below.



**Resizing 8', 8-1/2' & 9' Deflector Retainers**

## 62123-1, 62124-1, 62220-1, 62530-1, 63670, 63700

---

- Center the deflector lengthwise against the blade curl. Align the retainer bars, equally spaced, to the back edge of the blade curl. Align the holes in the bars with the holes in the deflector. Clamp in place.
- Use the holes in each retainer bar as guides to drill 5/16" holes through both the deflector and the blade.

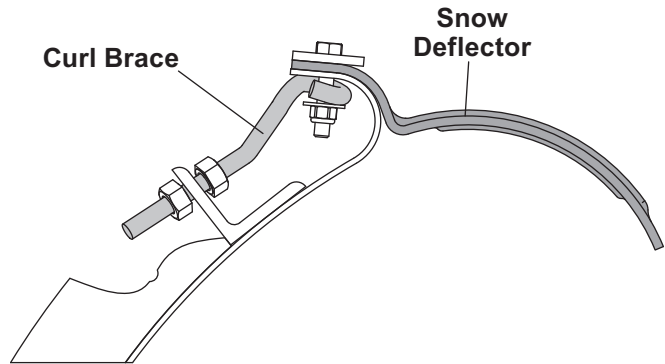
---

**NOTE: To touch up the paint around the holes drilled in the blade curl and blade angle, use WESTERN® red paint PN 59515 (not included).**

---

- Except for the end holes, loosely attach the deflector and the retainer bars to the blade curl with 5/16" x 1-1/4" cap screws and locknuts.
- Thread a 7/16" nut all the way onto each curl brace. Insert the threaded end of the curl braces into the holes drilled into the top angle of the blade.

- Align the curl brace to the bottom of the blade curl. Attach the curl brace to each end hole of the blade with a 5/16" x 1-3/4" cap screw, flat washer, and locknut. The flat washer must be against the curl brace.



- Tighten all 5/16" cap screws to 18 ft-lb. Run the nuts on the curl braces down against the upper blade angle. Secure each curl brace with a second nut under the blade angle.

Western Products reserves the right under its product improvement policy to change construction or design details and furnish equipment when so altered without reference to illustrations or specifications used. Western Products or the vehicle manufacturer may require or recommend optional equipment for snow removal. Do not exceed vehicle ratings with a snowplow. Western Products offers a limited warranty for all snowplows and accessories. See separately printed page for this important information. The following are registered (®) or unregistered (™) trademarks of Douglas Dynamics, L.L.C.: UltraMount®, WESTERN®.

Printed in U.S.A.