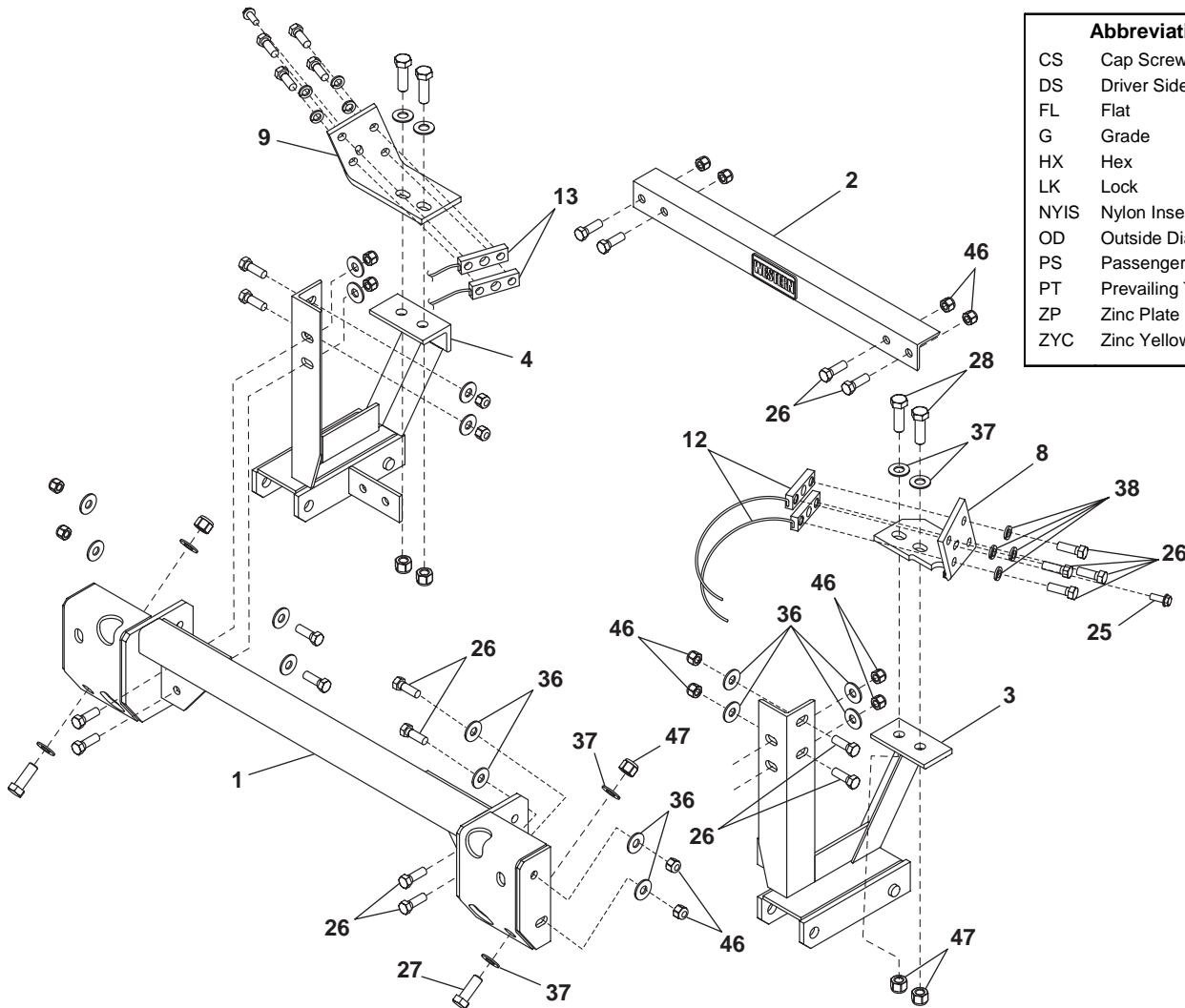




**PARTS LIST**  
**MODEL 1349**  
**MOUNT ASSEMBLY BOX NO. 63710**  
 Ford Bronco  
 F-150 4x4, F-250/350 4x4 and 2WD  
 Ford Super Duty 1980-1991

WESTERN PRODUCTS, P.O. BOX 245038, MILWAUKEE, WI 53224-9538  
 A DIVISION OF DOUGLAS DYNAMICS, L.L.C.



Abbreviations	
CS	Cap Screw
DS	Driver Side
FL	Flat
G	Grade
HX	Hex
LK	Lock
NYIS	Nylon Insert
OD	Outside Diameter
PS	Passenger Side
PT	Prevailing Torque
ZP	Zinc Plate
ZYC	Zinc Yellow Chromate

MODEL 1349 - MOUNT ASSEMBLY							
ITEM	PART NO.	QTY.	DESCRIPTION	ITEM	PART NO.	QTY.	DESCRIPTION
1	63718	1	MOUNT FRAME 1349	<b>* 63713 – BOLT BAG includes the following:</b>			
2	67774	1	BAR, CROSS	25	93169	2	3/8-16X1 HXW TRTS TY SW ZP
3	63711	1	MOUNT, DS	26	90210	24	1/2-13X1-1/2 HX CS G5 ZYC
4	63712	1	MOUNT, PS	27	63853	2	5/8-11X1-1/2 HX CS G5 ZP
8	61726	1	MOUNT BAR DS	28	90129	4	5/8-11X2 HX CS G5 ZP
9	61727	1	MOUNT BAR PS	35	91102	4	5/16 PLAIN WASHER TY A STD ZP
12	61652	2	NUT BAR DS	36	91105	12	1/2 PLAIN WASHER TY A STD ZYC
13	61653	2	NUT BAR PS	37	91139	8	5/8 PLAIN WASHER TY A SAE ZP
				38	91205	8	1/2 SP LK WASHER ZYC
				46	91335	16	1/2-13 PT HX LK NUT NYIS ZYC
				47	91337	6	5/8-11 PT HX LK NUT NYIS ZYC
				*	60495	1	EVAPORATOR BRACKET
				*	68494	4	5/16-18X1 HX CS G2 ZP
				*	91332	4	5/16-18 PT HX LK NUT NYIS ZYC

**\* Not Shown**

Copyright© 2002 Douglas Dynamics, L.L.C. All rights reserved. This material may not be reproduced or copied, in whole or in part, in any printed, mechanical, electronic, film or other distribution and storage media, without the written consent of Western Products. Authorization to photocopy items for internal or personal use by Western Products outlets is granted.

Western Products reserves the right under its Product Improvement Policy to change construction or design details and furnish equipment when so altered without reference to illustrations or specifications used herein. Western Products and the vehicle manufacturer may require and/or recommend optional equipment for snow removal. Western Products offers a limited warranty on all snowplows and accessories. See separately printed page for this important information. The following are registered® trademarks of Douglas Dynamics, L.L.C: UltraMount®, UNIMount®, and WESTERN®.