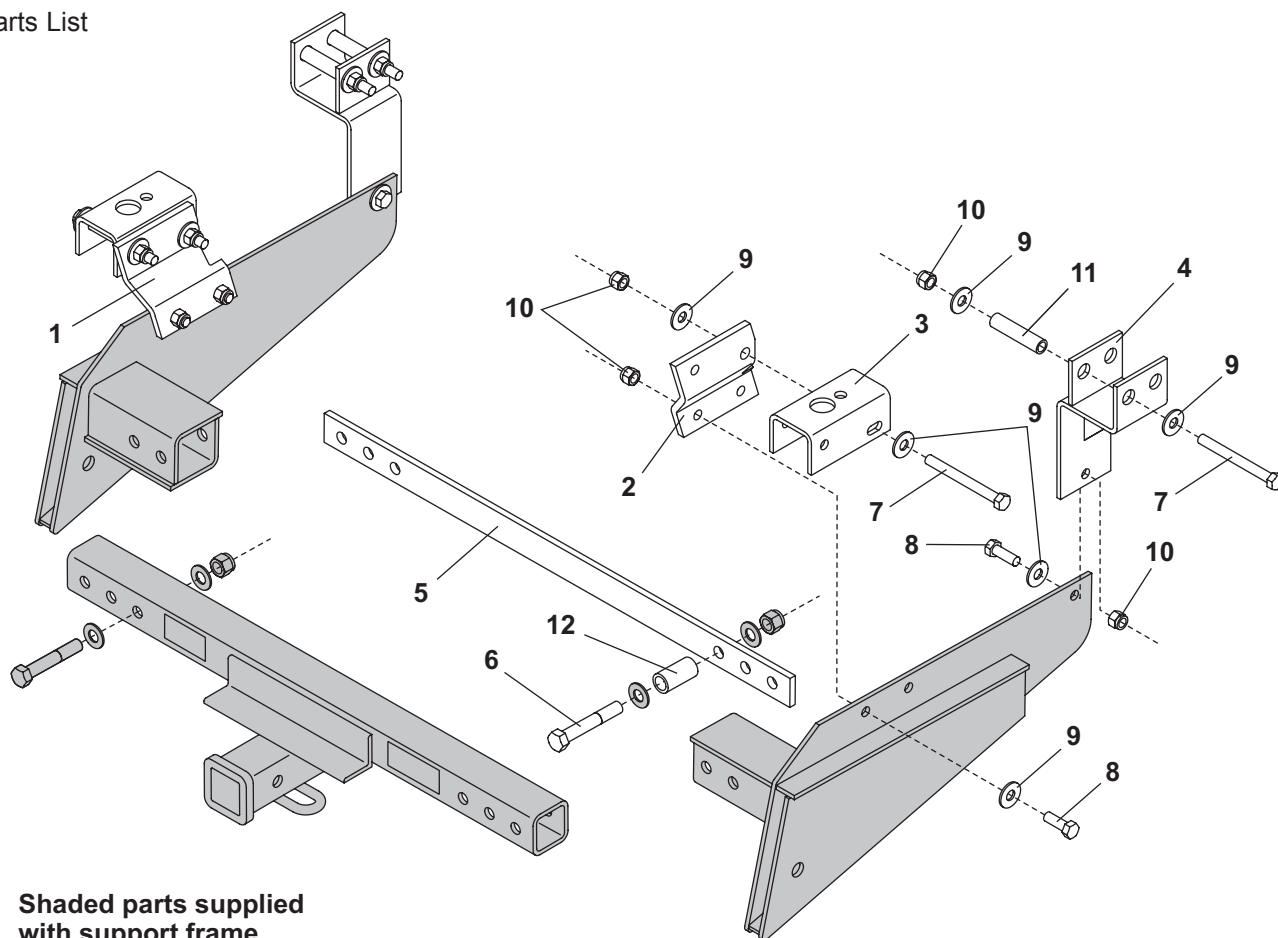


Parts List



Shaded parts supplied with support frame.

63827-1 Under-Frame Mount						
Item	Part	Qty	Description	Item	Part	Qty Description
1	63828	1	Bracket, Rear – DS	4	63830	2 Bracket, Front
2	63829	1	Bracket, Rear – PS	5	27940	1 Cross Brace
3	63834	2	Bracket, Support	ns	63839	1 Bolt Bag Assembly
63839 Bolt Bag Assembly						
6	27985	4	5/8-11 x 4-1/2 Hex Cap Screw, G8	10	91335	14 1/2-13 Hex Locknut, GB
7	90110	8	1/2-13 x 5 Hex Cap Screw, G5	11	63833	4 Spacer, Tube (3-1/4 Long)
8	90210	6	1/2-13 x 1-1/2 Hex Cap Screw, G5	12	27947	4 Spacer, Tube (2-1/2 Long)
9	91105	22	1/2 Flat Washer			
63870 Service Bolt Bag Assembly						
6	27985	2	5/8-11 x 4-1/2 Hex Cap Screw, G8	10	91335	4 1/2-13 Hex Locknut, GB
7	90110	2	1/2-13 x 5 Hex Cap Screw, G5	11	63833	2 Spacer, Tube (3-1/4 Long)
8	90210	2	1/2-13 x 1-1/2 Hex Cap Screw, G5	12	27947	2 Spacer, Tube (2-1/2 Long)
9	91105	6	1/2 Flat Washer			
G = Grade			ns = not shown			

Copyright © 2007 Douglas Dynamics, L.L.C. All rights reserved. This material may not be reproduced or copied, in whole or in part, in any printed, mechanical, electronic, film or other distribution and storage media, without the written consent of the company. Authorization to photocopy items for internal or personal use by the company's outlets or spreader owner is granted.

The company reserves the right under its product improvement policy to change construction or design details and furnish equipment when so altered without reference to illustrations or specifications used. This equipment manufacturer or the vehicle manufacturer may require or recommend optional equipment for spreaders. Do not exceed vehicle ratings with a spreader. The company offers a limited warranty for all spreaders and accessories. See separately printed page for this important information.