



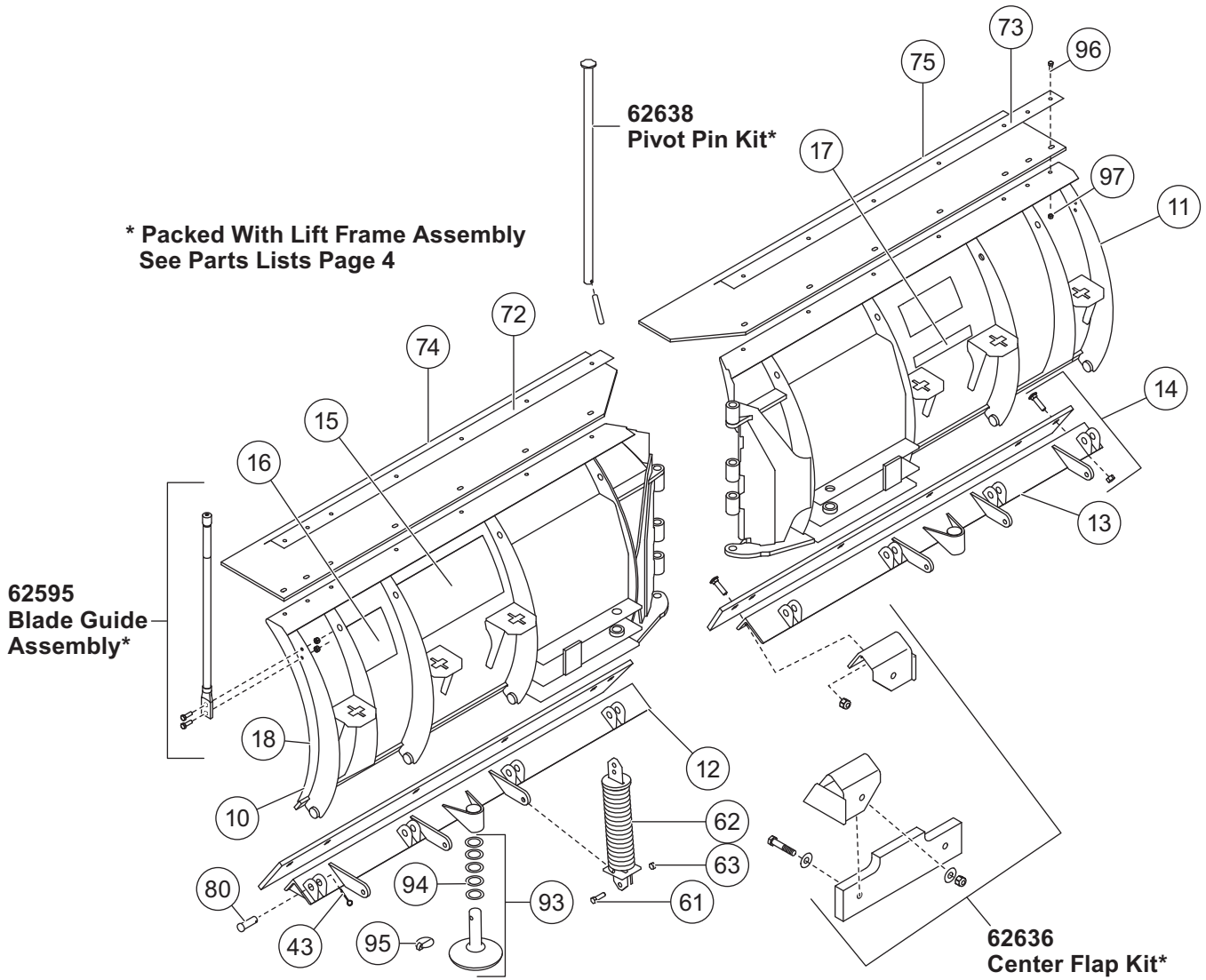
## MVP<sup>®</sup> Snowplow

Blade Assembly 63808 & 63819  
Rear T-Frame & Lift Assembly 56810

Parts List



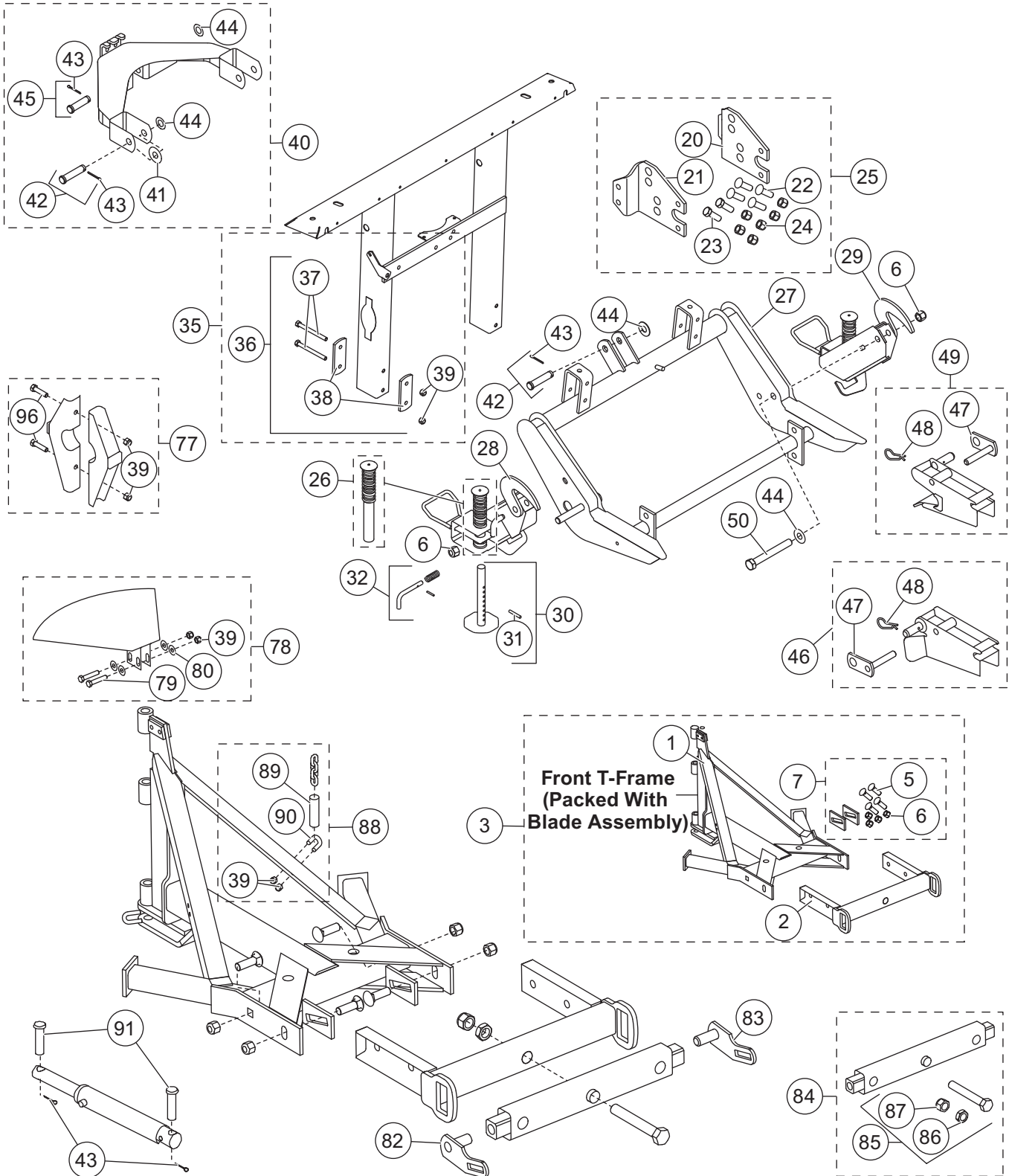
Blade Components



**www.storksplows.com**  
**MVP® BLADE 63808, 63819**

<b>MVP Blade Components</b>										
Item	Part	Qty		Description		Item	Part	Qty		Description
		8-1/2'	9-1/2'					8-1/2'	9-1/2'	
10	63956	1		Wing – DS 8-1/2'	Includes Trip Springs	62	21452	4	6	Removable Spring Assembly
	63958		1	Wing – DS 9-1/2'		63	90353	4	6	7/16-14 Hex Locknut GB
11	63957	1		Wing – PS 8-1/2'		72	21618	2		Bolting Bar – 8-1/2'
	63959		1	Wing – PS 9-1/2'			26983		1	Bolting Bar – DS 9-1/2'
12	64029	1		Base Angle – DS 8-1/2'		73	26984		1	Bolting Bar – PS 9-1/2'
	63960		1	Base Angle – DS 9-1/2'		74	62614	1		Rubber Deflector w/Logo – DS 8-1/2'
13	64030	1		Base Angle – PS 8-1/2'			63664		1	Rubber Deflector w/Logo – DS 9-1/2'
	63961		1	Base Angle – PS 9-1/2'		75	62613	1		Rubber Deflector – PS 8-1/2'
14	21608	2		3/8" Cutting Edge Kit – 8-1/2' Single			26586		1	Rubber Deflector – PS 9-1/2'
	28407†	2		1/2" Cutting Edge Kit – 8-1/2' Single		80	5523	8	8	3/4 x 2-3/16 Machine Pin
	63678		2	1/2" Cutting Edge Kit – 9-1/2' Single		93	62637	2	2	Disc Shoe Assembly
	64213	1		3/8" Cutting Edge/Center Flap Kit 8.5'		94	91192	5	5	Round Flat Washer – Special
	28409†	1		1/2" Cutting Edge/Center Flap Kit 8.5'		95	93010K	1	1	7/16 x 1-3/4 Linchpin
	66420		1	Cutting Edge/Center Flap Kit – 9.5'		96	68494	10	14	5/16-18 x 1 Hex Cap Screw G5
15	67796	1	1	Label – UltraMount® Attach/Detach		97	91332	10	14	5/16-18 Hex Locknut GB
16	59900	1	1	Label – Information (Warning)		ns	63740	1	1	Front T-Frame
17	28404	1	1	Label – ULTRAFINISH™		ns	28548	1	1	Blade Label Kit, UltraMount
18	40986	1	1	Label – CONTRACTOR GRADE®						
43	91911	8	8	5/32 x 1-1/2 Cotter Pin						
61	91000	4	6	7/16-14 1/2 x 1-1/2 Shoulder Bolt						
		ns = not shown			† = Accessory Only			G = Grade		

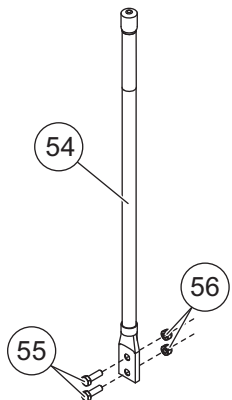
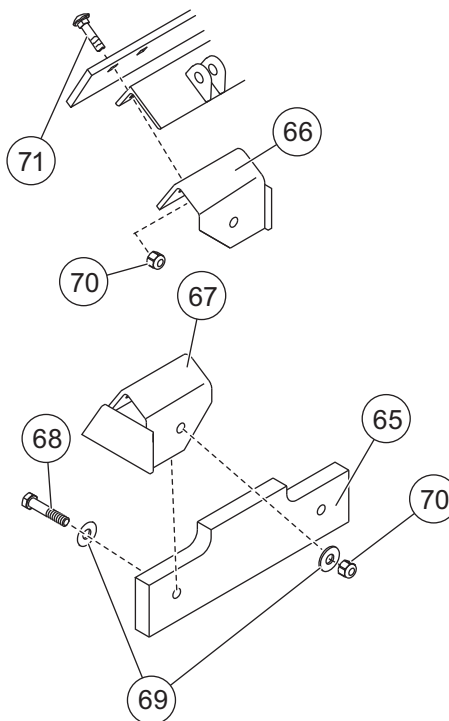
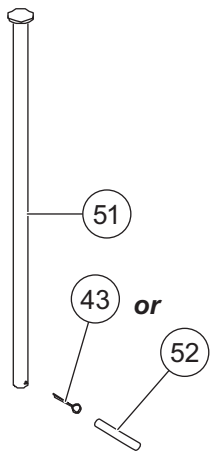
T-Frame and Lift Assembly Components



**MVP® CENTER ASSEMBLY 56810**

T-Frame and Lift Assembly Components							
Item	Part	Qty	Description	Item	Part	Qty	Description
3	64036	1	T-Frame Service Kit	46	67858	1	Receiver Kit DS
6	91338	6	3/4-10 Hex Locknut GB	47	67665	2	Receiver Pin
7	64037	1	Locking Plate Kit	48	91965K	2	5/32 Hairpin Cotter
25	67843	1	Pivot Plate Service Kit	49	67859	1	Receiver Kit PS
26	48523	1	Plunger w/ Spring	50	66451	2	3/4-10 x 6 Hex Cap Screw G5
27	67556-1	1	Lower Lift Frame	77	64031	2	Stacking Stop Kit
28	67845	1	Stand Assembly DS	78	63952	1	Center Deflector Assembly
29	67846	1	Stand Assembly PS	82	67974	1	Pivot Pin DS
30	67847	2	Stand Shoe Kit	83	67977	1	Pivot Pin PS
31	67635	2	1/4 x 2 Roll Pin	84	67842	1	Pivot Bar Kit
32	67844	2	Stand Lock Pin Kit	85	67855	1	Pivot Bolt Kit
35	67853-1	1	Upper Lift Frame Kit	88	49033	2	Chain Assembly
36	67939-1	1	Bolt Bag – Service Kit 67853	91	93077K	4	1 x 4 Rivet
40	67850-1	1	Lift Arm Kit	ns	62595	1	Blade Guide Assembly
42	93063K	3	3/4 x 3-1/4 Clevis Pin Kit	ns	62636	1	Center Flap Kit
43	91911	6	5/32 x 1-1/2 Cotter Pin	ns	62638	1	Pivot Pin Kit
44	91147	5	3/4 Flat Washer				
<b>Item 3 64036 T-Frame Service Kit</b>							
1	63740	1	Front T-Frame	7	64037	1	Locking Plate Kit
2	63745	1	Rear T-Frame				
<b>Item 7 64037 Locking Plate Kit</b>							
		2	Locking Plate	6	91338	4	3/4-10 Hex Locknut GB
5	63913	4	3/4-10 x 2-1/2 Carriage Bolt				
<b>Item 25 67843 Pivot Plate Service Kit</b>							
20	67707	1	Pivot Plate A	23	90127	2	5/8-11 x 1-1/2 Hex Cap Screw G5
21	67708	1	Pivot Plate B	24	91337	6	5/8-11 Hex Locknut GB
22	5572	4	5/8-11 x 2 Carriage Bolt G5				
<b>Item 35 67853-1 Upper Lift Frame Kit</b>							
		1	Upper Lift Frame	36	67939-1	1	Bolt Bag
<b>Item 36 67939-1 Bolt Bag (Service Kit 67853-1)</b>							
37		4	3/8-16 x 4 Hex Cap Screw G8	39	91333	4	3/8-16 Hex Locknut GB
38		4	Plate – Upper Lift Frame				
<b>Item 40 67850-1 Lift Arm Kit</b>							
		1	Lift Arm	43	91911	3	5/32 x 1-1/2 Cotter Pin
41	67727	2	Round Flat Washer – Special	44	91147	3	3/4 Flat Washer
42	93063K	2	3/4 x 3-1/4 Clevis Pin Kit	45	64617	1	3/4 x 3 Clevis Pin Kit
<b>Item 77 64031 Stacking Stop Kit</b>							
		2	Stacking Stop	96	66439	2	3/8-16 x 1-1/2 Hex Cap Screw G5
39	91333	2	3/8-16 Hex Locknut GB				
<b>Item 78 63952 Center Deflector Assembly</b>							
		1	Center Deflector	39	91333	2	3/8-16 Hex Locknut GB
80	90315	4	3/8 Flat Washer	79	90043	2	3/8-16 x 2 Hex Cap Screw G5
<b>Item 84 67842 Pivot Bar Kit</b>							
		1	Pivot Bar	85	67855	1	Pivot Bolt Kit
<b>Item 85 67855 Pivot Bolt Kit</b>							
		1	1-8 x 7 Hex Cap Screw G5	87	91340	1	1-8 Hex Locknut GB
86	67748	1	1-8 Hex Jam Nut G5				
<b>Item 88 49033 Chain Assembly</b>							
		2	Chain	89	65508	2	Plastic Tube
39	91333	4	3/8-16 Hex Locknut GB	90	90571	2	3/8-16 x 1-1/2 U-Bolt
ns = not shown				G = Grade			

Blade Service Kit Diagram



**MVP® SNOWPLOW BLADE SERVICE KITS**

<b>62638 Pivot Pin Kit</b>							
Item	Part	Qty	Description	Item	Part	Qty	Description
51		1	Pivot Pin	52	26463	1	1/4 x 2 Slotted Spring Pin
*Earlier models may require:							
43	91911	1	5/32 x 1-1/2 Cotter Pin				
<b>62595 Blade Guide Assembly</b>							
54	62578	2	Blade Guide Poly 24" with Decal	ns	63290	1	Bolt Bag Assembly – 62595
<b>63290 Bolt Bag Assembly – 62595</b>							
55	68494	4	5/16-18 x 1 Hex Cap Screw G5	56	91332	4	5/16-18 Hex Locknut GB
<b>62636 Center Flap Kit</b>							
65	63508	1	Rubber Flap	69	91105	4	1/2 Flat Washer
66	63509	1	Mounting Plate PS	70	91335	6	1/2-13 Hex Locknut GB
67	63510	1	Mounting Plate DS	71	90238	4	1/2-13 x 1-3/4 Carriage Bolt G8
68	90104	2	1/2-13 x 2-1/2 Hex Cap Screw G5				
ns = not shown				G = Grade			



Western Products  
PO Box 245038  
Milwaukee, WI 53224-9538  
[www.westernplows.com](http://www.westernplows.com)

 A DIVISION OF DOUGLAS DYNAMICS, L.L.C.

Copyright © 2010 Douglas Dynamics, L.L.C. All rights reserved. This material may not be reproduced or copied, in whole or in part, in any printed, mechanical, electronic, film or other distribution and storage media, without the written consent of Western Products. Authorization to photocopy items for internal or personal use by Western Products outlets or snowplow owner is granted.

Western Products reserves the right under its product improvement policy to change construction or design details and furnish equipment when so altered without reference to illustrations or specifications used. Western Products or the vehicle manufacturer may require or recommend optional equipment for snow removal. Do not exceed vehicle ratings with a snowplow. Western Products offers a limited warranty for all snowplows and accessories. See separately printed page for this important information. The following are registered (®) or unregistered (™) trademarks of Douglas Dynamics, L.L.C.: CONTRACTOR GRADE®, MVP®, ULTRAFINISH™, UltraMount®, WESTERN®.

**Printed in U.S.A.**