



## **MOUNT KIT**

<b>GM K1500 Silv/Sierra</b>	<b>2003 - 06</b>
<b>GM Avalanche 1500</b>	<b>2004 - 06</b>
<b>GM K1500 Silv/Sierra Classic</b>	<b>2007</b>

### **Installation Instructions**

**⚠ CAUTION**

Read this document before installing the snowplow.

**⚠ CAUTION**

See your FISHER® outlet/website for specific vehicle application recommendations before installation. The eMatch tool has specific vehicle and snowplow requirements.

**SAFETY DEFINITIONS**

**⚠ WARNING**

Indicates a potentially hazardous situation that, if not avoided, could result in death or serious personal injury.

**⚠ CAUTION**

Indicates a potentially hazardous situation that, if not avoided, may result in minor or moderate injury. It may also be used to alert against unsafe practices.






**NOTE:** Indicates a situation or action that can lead to damage to your snowplow and vehicle or other property. Other useful information can also be described.

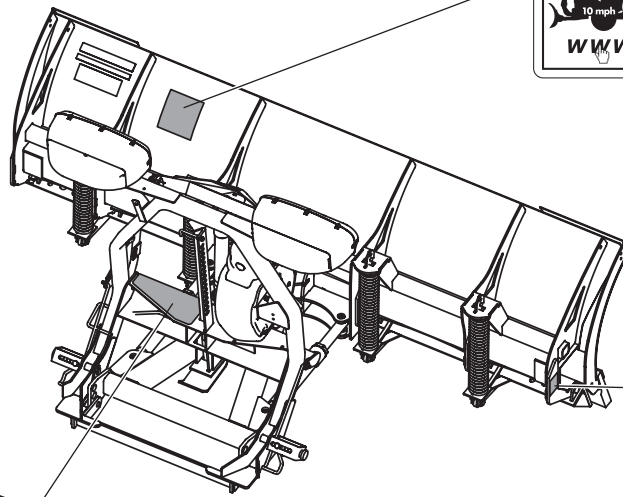
**WARNING/CAUTION AND INSTRUCTION LABELS**

Become familiar with and inform users about the warning labels on the back of the blade and the instruction label on the headgear.

**NOTE:** If labels are missing or cannot be read, see your sales outlet.

Warning/Caution Label

<b>⚠ WARNING</b>	
	Lower blade when vehicle is parked.
	Do not exceed GVWR or GAWR including blade and ballast.
<b>⚠ CAUTION</b>	
	Read Owner's Manual before operating or servicing snowplow.
	Transport speed should not exceed 45 mph (72 km/h). Further reduce speed under adverse travel conditions.
	Plowing speed should not exceed 10 mph (16 km/h).
See your sales outlet/Web site for specific vehicle application recommendations. 59903	



Multiple Pinch Points Label

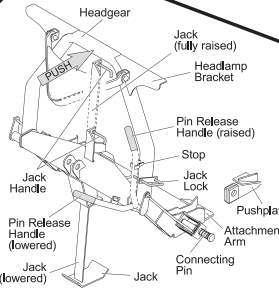
**⚠ WARNING**



**Multiple Pinch Points**

**XLSTM™ Blades Only  
(both sides)**

Instruction Label



1. Push **Pin Release Handle** down to pull out **Connecting Pins**.

2. Drive vehicle slowly to engage **Pushplates** into **Attachment Arms**.

3. Stand in front of blade. Fully raise **Pin Release Handle** to release **Connecting Pins**.

4. Push **Headgear** toward vehicle to allow **Connecting Pins** to fully engage **Pushplates**. If unable to push **Headgear** from in front of blade, stand in front of **Headgear** on driver side and push **Headlamp Bracket**.

5. Pull out **Jack Lock**. Push **Pin Release Handle** into **Stop**.

6. While holding **Jack Lock** out, use **Jack Handle** to raise **Jack** fully. Release **Jack Lock**.

7. Attach all electrical connectors.

Read Owner's Manual for complete instructions.

1. Place control in Lower/Float to put blade down.

2. Pull and hold **Jack Lock** out. **Jack** will drop to ground. Then pull **Pin Release Handle** away from **Stop** and **Jack Lock**. Release **Jack Lock**. Verify that **Jack** is locked by trying to lift **Jack**.

3. Stand in front of blade. While pushing **Headgear** toward vehicle with left hand, push **Pin Release Handle** down to disengage **Connecting Pins**. Make sure **Connecting Pins** are fully retracted. If unable to push **Headgear** from in front of blade, stand in front of **Headgear** on driver side and push **Headlamp Bracket**.

4. Detach all electrical connectors.

ATTACH  
DETACH

U.S. patents: 5,638,616; 5,999,007; 6,253,470; 6,408,549; 6,526,677; 6,711,637;  
6,928,797; 6,944,978; 7,400,090; 7,430,921; 7,691,334; 7,737,076; 7,797,809;  
CAN patents: 2,184,922; 2,229,783; 2,354,257; 2,356,036; 2,632,102; 2,639,052;  
and other patents pending.

27451.10

## SAFETY PRECAUTIONS

Improper installation and operation could cause personal injury and/or equipment and property damage. Read and understand labels and the Owner's Manual before installing, operating or making adjustments.

### **⚠ WARNING**

**Lower the blade when vehicle is parked. Temperature changes could change hydraulic pressure, causing the blade to drop unexpectedly or damaging hydraulic components. Failure to do this could result in serious personal injury.**

### **⚠ WARNING**

**The driver shall keep bystanders clear of the blade when it is being raised, lowered or angled. Do not stand between the vehicle and the blade or within 8 feet of a moving blade. A moving or falling blade could cause personal injury.**

### **⚠ WARNING**

**Keep hands and feet clear of the blade and A-frame when mounting or removing the snowplow. Moving or falling assemblies could cause personal injury.**

### **⚠ WARNING**

**Do not exceed GVWR or GAWR including the blade and ballast. The rating label is found on the driver-side vehicle door cornerpost.**

### **⚠ WARNING**

**To prevent accidental movement of the blade, always turn the control OFF whenever the snowplow is not in use. The power indicator light will turn OFF.**

### **⚠ WARNING**

**Remove blade assembly before placing vehicle on hoist.**

### **⚠ CAUTION**

**Refer to the eMatch tool for minimum vehicle recommendations and ballast requirements.**

## PERSONAL SAFETY

- Remove ignition key and put the vehicle in park or in gear to prevent others from starting the vehicle during installation or service.
- Wear only snug-fitting clothing while working on your vehicle or snowplow.
- Do not wear jewelry or a necktie, and secure long hair.
- Wear safety goggles to protect your eyes from battery acid, gasoline, dirt and dust.
- Avoid touching hot surfaces such as the engine, radiator, hoses and exhaust pipes.
- Always have a fire extinguisher rated BC handy, for flammable liquids and electrical fires.

## FIRE AND EXPLOSION

### **⚠ WARNING**

**Gasoline is highly flammable and gasoline vapor is explosive. Never smoke while working on vehicle. Keep all open flames away from gasoline tank and lines. Wipe up any spilled gasoline immediately.**

Be careful when using gasoline. Do not use gasoline to clean parts. Store only in approved containers away from sources of heat or flame.

## CELL PHONES

A driver's first responsibility is the safe operation of the vehicle. The most important thing you can do to prevent a crash is to avoid distractions and pay attention to the road. Wait until it is safe to operate Mobile Communication Equipment such as cell phones, text messaging devices, pagers or two-way radios.

## VENTILATION

### **⚠ WARNING**

**Vehicle exhaust contains lethal fumes. Breathing these fumes, even in low concentrations, can cause death. Never operate a vehicle in an enclosed area without venting exhaust to the outside.**

**NOISE**

Airborne noise emission during use is below 70 dB(A) for the snowplow operator.






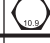


**VIBRATION**

Operating snowplow vibration does not exceed 2.5 m/s<sup>2</sup> to the hand-arm or 0.5 m/s<sup>2</sup> to the whole body.

**TORQUE CHART**

**⚠ CAUTION**

**Read instructions before assembling. Fasteners should be finger tight until instructed to tighten according to the torque chart. Use standard methods and practices when attaching snowplow, including proper personal protective safety equipment.**

<b>Recommended Fastener Torque Chart</b>					
<b>Inch Fasteners Grade 5 and Grade 8</b>					
<b>Size</b>	<b>Torque (ft-lb)</b>		<b>Size</b>	<b>Torque (ft-lb)</b>	
	 <b>Grade 5</b>	 <b>Grade 8</b>		 <b>Grade 5</b>	 <b>Grade 8</b>
1/4-20	8.4	11.9	9/16-12	109	154
1/4-28	9.7	13.7	9/16-18	121	171
5/16-18	17.4	24.6	5/8-11	150	212
5/16-24	19.2	27.3	5/8-18	170	240
3/8-16	30.8	43.6	3/4-10	269	376
3/8-24	35.0	49.4	3/4-16	297	420
7/16-14	49.4	69.8	7/8-9	429	606
7/16-20	55.2	77.9	7/8-14	474	669
1/2-13	75.3	106.4	1-8	644	909
1/2-20	85.0	120.0	1-12	704	995
<b>Metric Fasteners Class 8.8 and 10.9</b>					
<b>Size</b>	<b>Torque (ft-lb)</b>		<b>Size</b>	<b>Torque (ft-lb)</b>	
	 <b>Class 8.8</b>	 <b>Class 10.9</b>		 <b>Class 8.8</b>	 <b>Class 10.9</b>
M6 x 1.00	7.7	11.1	M20 x 2.50	325	450
M8 x 1.25	19.5	26.9	M22 x 2.50	428	613
M10 x 1.50	38.5	53.3	M24 x 3.00	562	778
M12 x 1.75	67	93	M27 x 3.00	796	1139
M14 x 2.00	107	148	M30 x 3.50	1117	1545
M16 x 2.00	167	231	M33 x 3.50	1468	2101
M18 x 2.50	222	318	M36 x 4.00	1952	2701
These torque values apply to fasteners except those noted in the instructions.					

## INSTALLATION INSTRUCTIONS

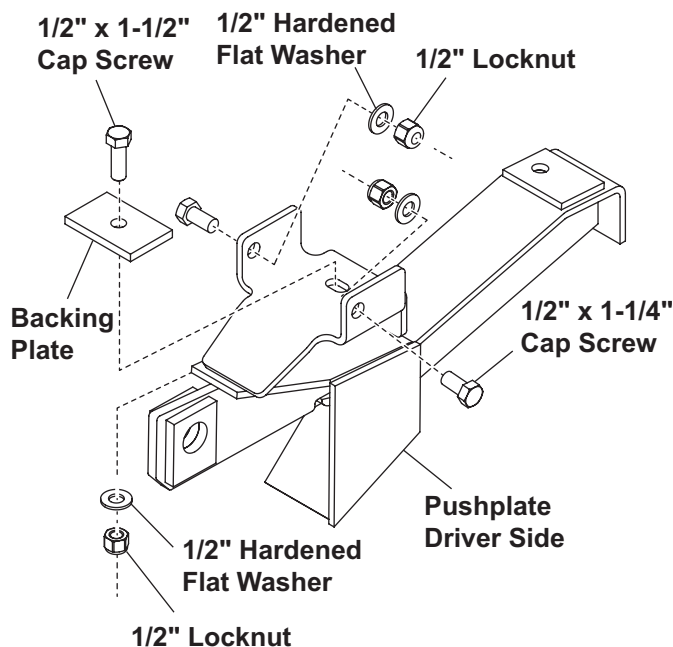
**NOTE: For easier assembly and installation, vehicle and all snowplow components should be on a smooth, level, hard surface, such as concrete.**

1. **On Chevrolet Vehicles:** Remove the lower plastic section of the bumper. Save all plastic fasteners for use on reinstallation. Remove the tow hooks.

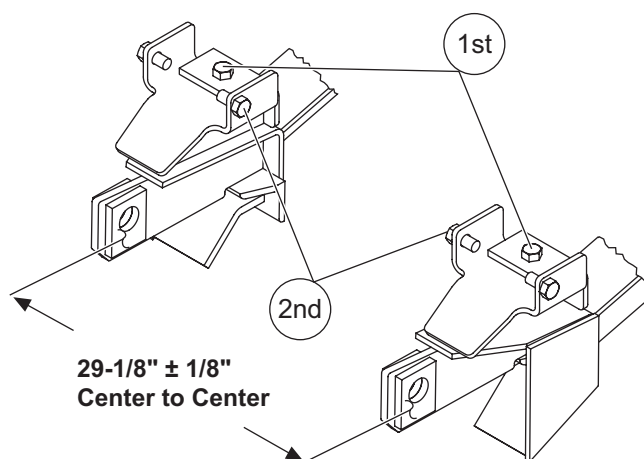
**On GMC Vehicles:** Remove the bumper. Save all fasteners for use on reinstallation. Remove the tow hooks.

2. Beginning with either pushplate, align the forward pushplate holes with the three tow hook holes in the frame. Insert a 1/2" x 1-1/4" cap screw through each side of the mount and into the frame. Place a 1/2" washer and 1/2" locknut on each cap screw and hand tighten.

**NOTE: The cap screw heads must be on the outside of the frame to avoid interference with the bumper.**



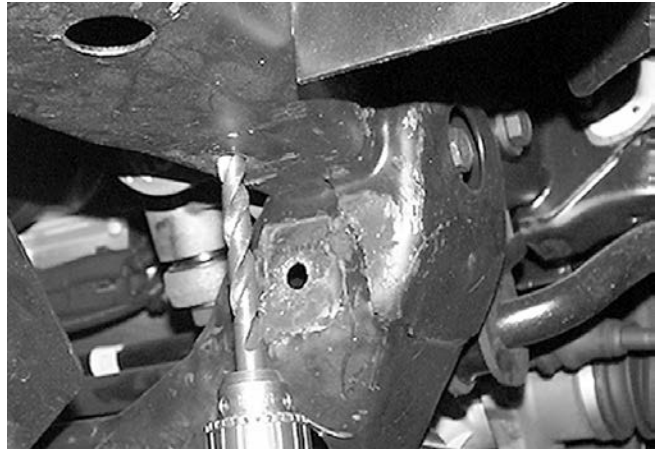
3. Insert a 1/2" x 1-1/2" cap screw down through a backing plate then through bottom of frame and the slot in the pushplate. The backing plate should span the inside bottom surface of the frame width-wise. Place a washer and locknut on the cap screw and hand tighten. Verify that the rear portion of the pushplate is in contact with the bottom portion of the frame.
4. Repeat Steps 1 through 3 for the opposite side pushplate.
5. Check for a connecting arm distance of 29-1/8"  $\pm$  1/8". If connecting arm distance is acceptable, tighten fasteners in the order indicated below. If connecting arm distance is not within 29-1/8"  $\pm$  1/8", 1/2" flat washers may be used to shim one or both plates in the appropriate direction to obtain the desired dimension. Tighten fasteners in the order indicated below after achieving appropriate dimensions.



**⚠ CAUTION**

When drilling holes for the passenger side pushplate, use care not to damage the aluminum hoses near the frame.

6. Beginning with either pushplate, hold the rear of the pushplate tight against the vehicle frame and the cross member. Mark the two hole locations with a sharp object (scribe or nail). Remove the pushplate and center punch holes in the two places marked. Drill a 1/2" diameter hole in each marked location, one through the vehicle frame and one through the cross member. **(See photo at right.)**



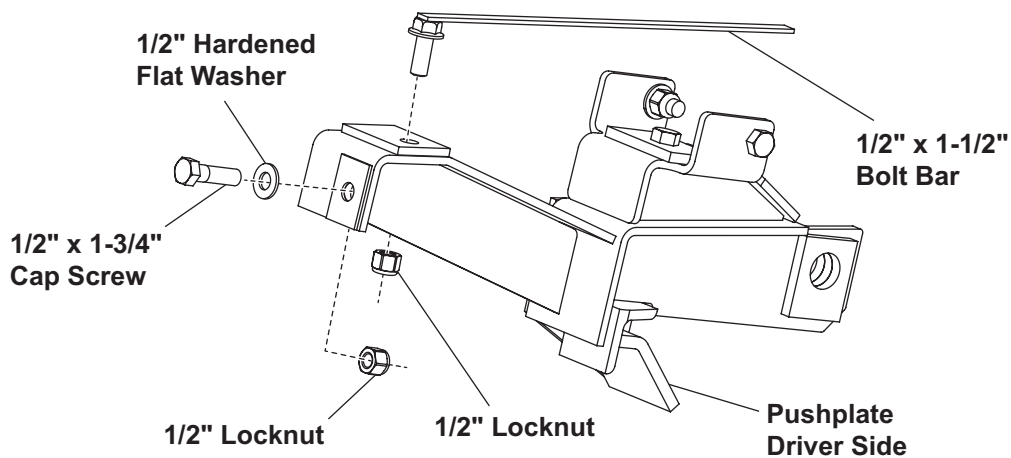
**NOTE:** Drill clearance can be obtained by turning the steering wheel so the front of the tire is away from side being drilled.

7. Attach the rear of the pushplate to the vehicle frame using a 1/2" bolt bar and 1/2" locknut. Attach the rear of the pushplate to the cross member using a 1/2" x 1-3/4" cap screw, 1/2" flat washer, and 1/2" locknut. **(See illustration below.)**
8. Reattach the front of pushplate as described in Steps 1 through 5.
9. Repeat Steps 6 through 8 for the opposite side pushplate.
10. Tighten all fasteners according to the torque chart.
11. Reattach lower plastic bumper or bumper and trim as necessary.

---

**NOTE: After five to ten hours of snowplow usage, retorque all pushplate assembly fasteners.**

---





Fisher Engineering  
50 Gordon Drive  
Rockland, ME 04841-2139  
[www.fisherplows.com](http://www.fisherplows.com)

**A DIVISION OF FISHER, LLC**

Fisher Engineering reserves the right under its product improvement policy to change construction or design details and furnish equipment when so altered without reference to illustrations or specifications used. Fisher Engineering or the vehicle manufacturer may require or recommend optional equipment for snow removal. Do not exceed vehicle ratings with a snowplow. Fisher Engineering offers a limited warranty for all snowplows and accessories. See separately printed page for this important information. The following are registered (®) or unregistered (™) trademarks of Douglas Dynamics, LLC: FISHER®, Minute Mount® 2, XLS™.

**Printed in U.S.A.**