



Fisher Engineering

50 Gordon Drive, Rockland, Maine 04841-2139 • www.fisherplows.com

February 15, 2008
Lit. No. 64065, Rev. 02

Minute² Mount[®]

SYSTEM

MOUNT KIT

Dodge 1500 Reg Cab w/3,850 FGAWR	1994 - 01
Dodge 2500 w/8,800 GVW	1994 - 02
Dodge 3500 w/10,500 GVW	1994 - 02
Dodge 3500 Cab Chassis	1994 - 02

Installation Instructions

⚠ CAUTION

Read this document before installing the snowplow.

⚠ CAUTION

See your FISHER[®] outlet/Web site for specific vehicle application recommendations before installation. The Kit Selection Guide has specific vehicle and snowplow requirements.

SAFETY DEFINITIONS

⚠ WARNING

Indicates a potentially hazardous situation that, if not avoided, could result in death or serious personal injury.

⚠ CAUTION

Indicates a potentially hazardous situation that, if not avoided, may result in minor or moderate injury. It may also be used to alert against unsafe practices.

NOTE: Indicates a situation or action that can lead to damage to your snowplow and vehicle or other property. Other useful information can also be described.

SAFETY PRECAUTIONS

Improper installation and operation could cause personal injury, and/or equipment and property damage. Read and understand labels and the Owner's Manual before installing, operating or making adjustments.

⚠ WARNING

Lower blade when vehicle is parked. Temperature changes could change hydraulic pressure, causing the blade to drop unexpectedly or damaging hydraulic components. Failure to do this can result in serious personal injury.

⚠ WARNING

The driver shall keep bystanders clear of the blade when it is being raised, lowered or angled. Do not stand between the vehicle and the blade or within 8 feet of a moving blade. A moving or falling blade could cause personal injury.

⚠ WARNING

Keep hands and feet clear of the blade and A-frame when mounting or removing the snowplow. Moving or falling assemblies could cause personal injury.

⚠ WARNING

Do not exceed GVWR or GAWR including blade and ballast. The rating label is found on driver-side vehicle door cornerpost.

⚠ WARNING

To prevent accidental movement of the blade, always turn the ON/OFF switch to OFF whenever the snowplow is not in use. The control indicator light will turn off.

⚠ WARNING

Remove blade assembly before placing vehicle on hoist.

⚠ CAUTION

Refer to the Kit Selection Guide for minimum vehicle recommendations and ballast requirements.

PERSONAL SAFETY

- Remove ignition key and put the vehicle in park or in gear to prevent others from starting the vehicle during installation or service.
- Wear only snug-fitting clothing while working on your vehicle or snowplow.
- Do not wear jewelry or a necktie, and secure long hair.
- Wear safety goggles to protect your eyes from battery acid, gasoline, dirt and dust.
- Avoid touching hot surfaces such as the engine, radiator, hoses and exhaust pipes.
- Always have a fire extinguisher rated BC handy, for flammable liquids and electrical fires.

FIRE AND EXPLOSION**⚠ WARNING**

Gasoline is highly flammable and gasoline vapor is explosive. Never smoke while working on a vehicle. Keep all open flames away from gasoline tanks and lines. Wipe up any spilled gasoline immediately.




Be careful when using gasoline. Do not use gasoline to clean parts. Store only in approved containers away from sources of heat or flame.

VENTILATION**⚠ WARNING**

Vehicle exhaust contains lethal fumes. Breathing these fumes, even in low concentrations, can cause death. Never operate a vehicle in an enclosed area without venting exhaust to the outside.

TORQUE CHART**⚠ CAUTION**

Read instructions before assembling. Fasteners should be finger tight until instructed to tighten according to the torque chart. Use standard methods and practices when attaching snowplow including proper personal protective safety equipment.

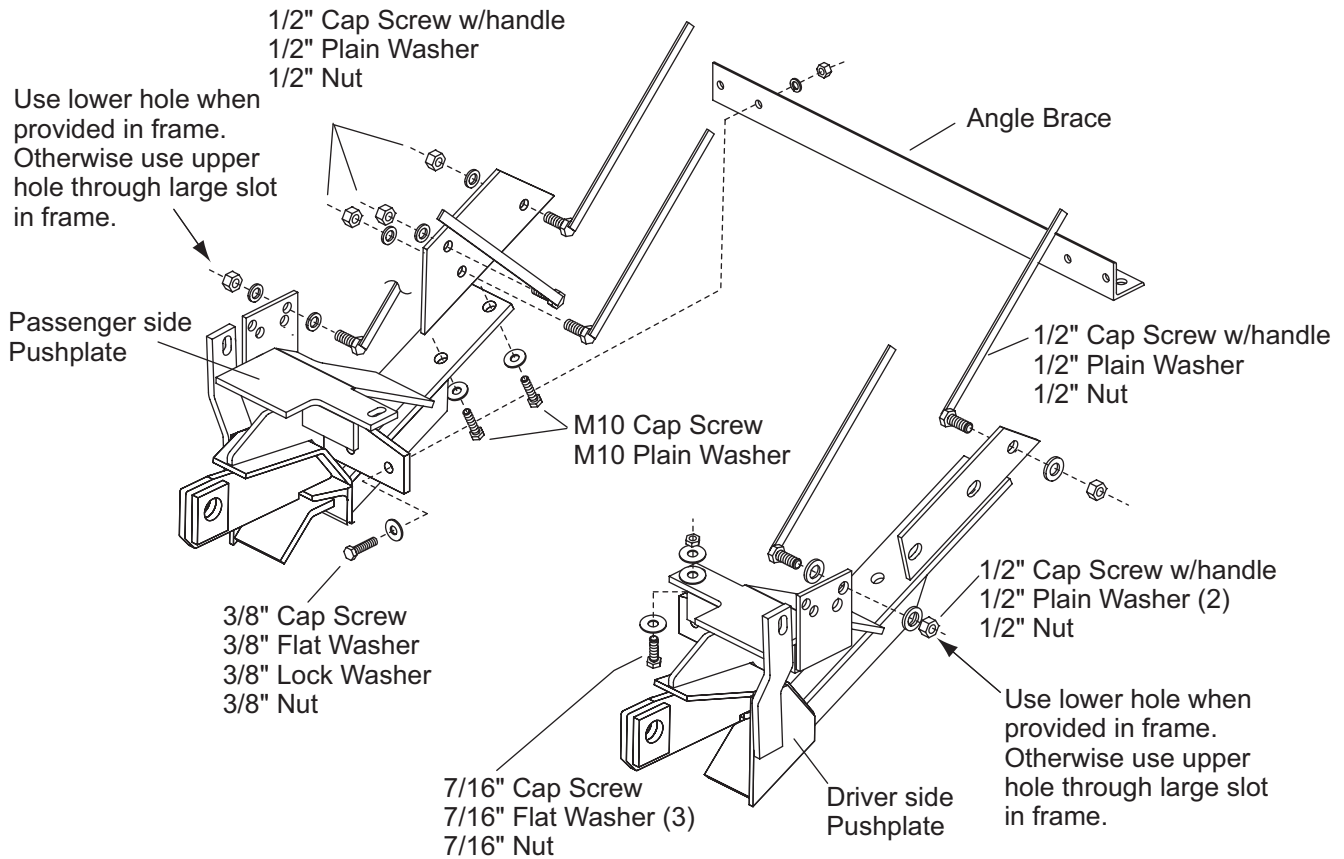
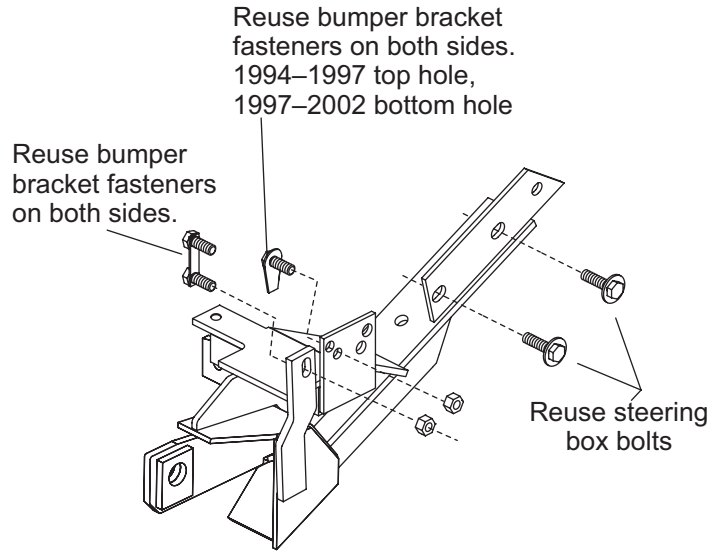
Recommended Fastener Torque Chart (ft-lb)			
Size	 SAE Grade 2	 SAE Grade 5	 SAE Grade 8
1/4-20	6	9	13
5/16-18	11	18	28
3/8-16	19	31	46
3/8-24	24	46	68
7/16-14	30	50	75
1/2-13	45	75	115
9/16-12	66	110	165
5/8-11	93	150	225
3/4-10	150	250	370
7/8-9	150	378	591
1-8	220	583	893
Metric Grade 8.8 (ft-lb)			
Size	Torque	Size	Torque
M 6	7	M 12	60
M 8	17	M 14	95
M 10	35	M 16	155
These torque values apply to fasteners except those noted in the instruction.			

INSTALLATION INSTRUCTIONS

NOTE: For easier assembly and installation, vehicle and all snowplow components should be on a smooth, level, hard surface, such as concrete.

1. Remove the frame brackets from the sway bar and discard the fasteners. Inspect the two forward bumper bracket bolts-on clips. They must point out from the vehicle centerline. If they are pointing toward the centerline, remove and reinstall in the proper orientation by loosely fastening the top nut only.

If the bolt-on clips are pointing out from centerline, remove the lower nut and loosen the upper. Remove and save the remaining bumper bracket fastener located to the rear of the two bolt-on clip fasteners. Remove and save the two lower steering box bolts from the driver side of the frame. If present, the ground wire tap screw interferes with the driver-side pushplate. When necessary, remove and relocate the tap screw.



For vehicles equipped with Dodge Sport

Package: Install 26273 Dodge Sport Package Adapter Kit according to instructions found in the kit. The 26273 kit is packed in the peculiar light kit.

2. Hang the driver-side pushplate by the slot in the front hanger on the lower bolt in the front bumper bracket. Loosely secure with original nut. **Do not tighten any fasteners until told to do so.** Swing the pushplate into place. Reinstall both steering box bolts.
3. Insert a 1/2" x 1-1/4" cap screw with handle through the large hole in the frame at the back of the pushplate. Bend the handle as necessary. Insert the cap screw out through the frame and rear hole of the pushplate. Fasten with 1/2" washer and locknut.
4. Select which holes in the frame that will be used to attach the pushplate to your vehicle using two of the four holes punched in the vertical tab of the pushplate.

If using the large slot: Insert a 1/2" x 1-1/4" cap screw with handle and 1/2" washer through the square hole in the frame located just behind the frame cross member. Pass the cap screw through slot in frame and the larger of the three holes in the bolting tab on the pushplate. **Care must be taken to ensure the washer does not fall off cap screw during this operation.** Loosely fasten with a 1/2" washer and 1/2" locknut.

If using the lower hole: Ream it out to 17/32". Insert the 1/2" x 1-1/4" cap screw with handle from the front through the lower hole. Loosely fasten with a 1/2" washer and locknut. Loosely reinstall the single bumper bracket fastener through appropriate hole in bolting tab.

5. Install a 7/16" x 1-1/4" cap screw with washer through slot located in pushplate and frame cross member. Place a 7/16" washer between the pushplate and cross member. Loosely fasten 7/16" washer and locknut. **Do not tighten any fasteners until told to do so.**
6. Repeat steps 2 through 5 for the passenger side pushplate, except for the top hole on side plate. Insert a 1/2" x 1-1/4" cap screw with handle in the square hole, with the bumper brace attached, and out through frame and top hole in rear side plate on pushplate. Fasten with 1/2" washer and locknut.
7. Reattach the sway bar brackets to the pushplates and frame with four M10 x 1.5 x 40 cap screws and flat washers. Install the angle brace, with the leg on the bottom facing the rear, to the back of the inner tabs on the pushplate. Attach brace to the pushplates with four 3/8" x 1-1/4" cap screws, flat washers, lock washers and nuts with the nuts located to the rear. Measure the distance between the connecting pin doublers. The distance should be 29-1/8" from center to center. Take a second measurement further back on the arms to ensure they are parallel.
8. Tighten the sway bar bolts first, the steering box bolts second and then all remaining fasteners. Use the rear hole(s) on the passenger-side pushplate as guide(s) to drill 17/32" hole(s) through the frame. Install two 1/2" x 1-1/2" cap screws with handles through frame using the two large holes behind the pushplate. Bend the handles as needed. The rear sway bar fastener may have to be loosened to get the forward cap screw in. Attach with two 1/2" washers and locknuts. Bend the handles on all cap screws with handles to prevent contact with any vehicle components.

NOTE: After five to ten hours of snowplow usage, retorque all pushplate assembly fasteners.

Fisher Engineering reserves the right under its product improvement policy to change construction or design details and furnish equipment when so altered without reference to illustrations or specifications used. Fisher Engineering or the vehicle manufacturer may require or recommend optional equipment for snow removal. Do not exceed vehicle ratings with a snowplow. Fisher Engineering offers a limited warranty for all snowplows and accessories. See separately printed page for this important information. The following are registered (®) trademarks of Douglas Dynamics, L.L.C.: FISHER®, Minute Mount® 2.

Printed in U.S.A.
